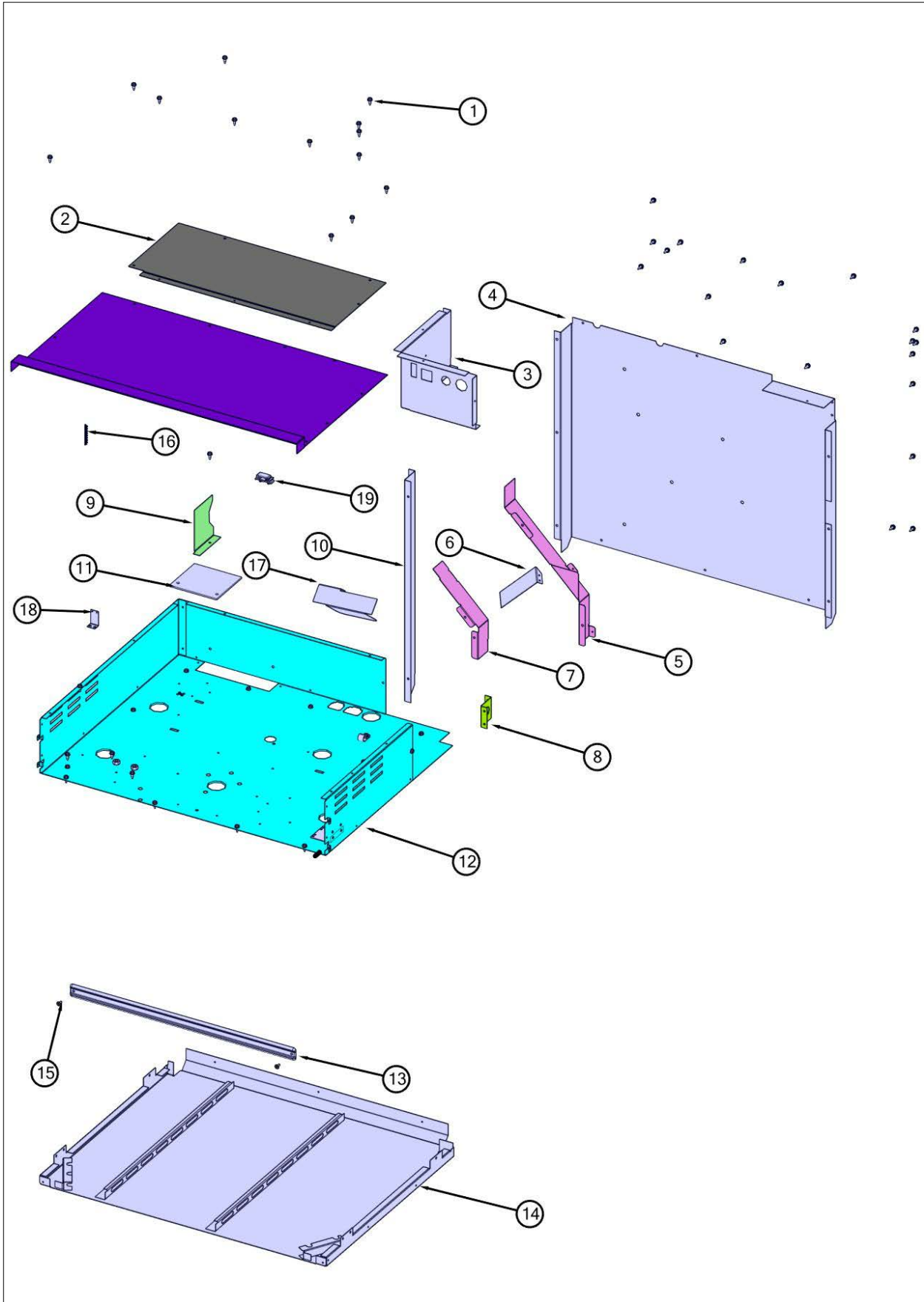


VSOE130SS01

Sheet Metal View	1
Cavity Interior and Trim View	2
Cavity Exterior View	3
Electrical View	4
Control View	5
Door View	6
Wiring View	7
Wiring Harness View	8
Appendix A:Pages Index	A
Appendix B:Parts Index	B

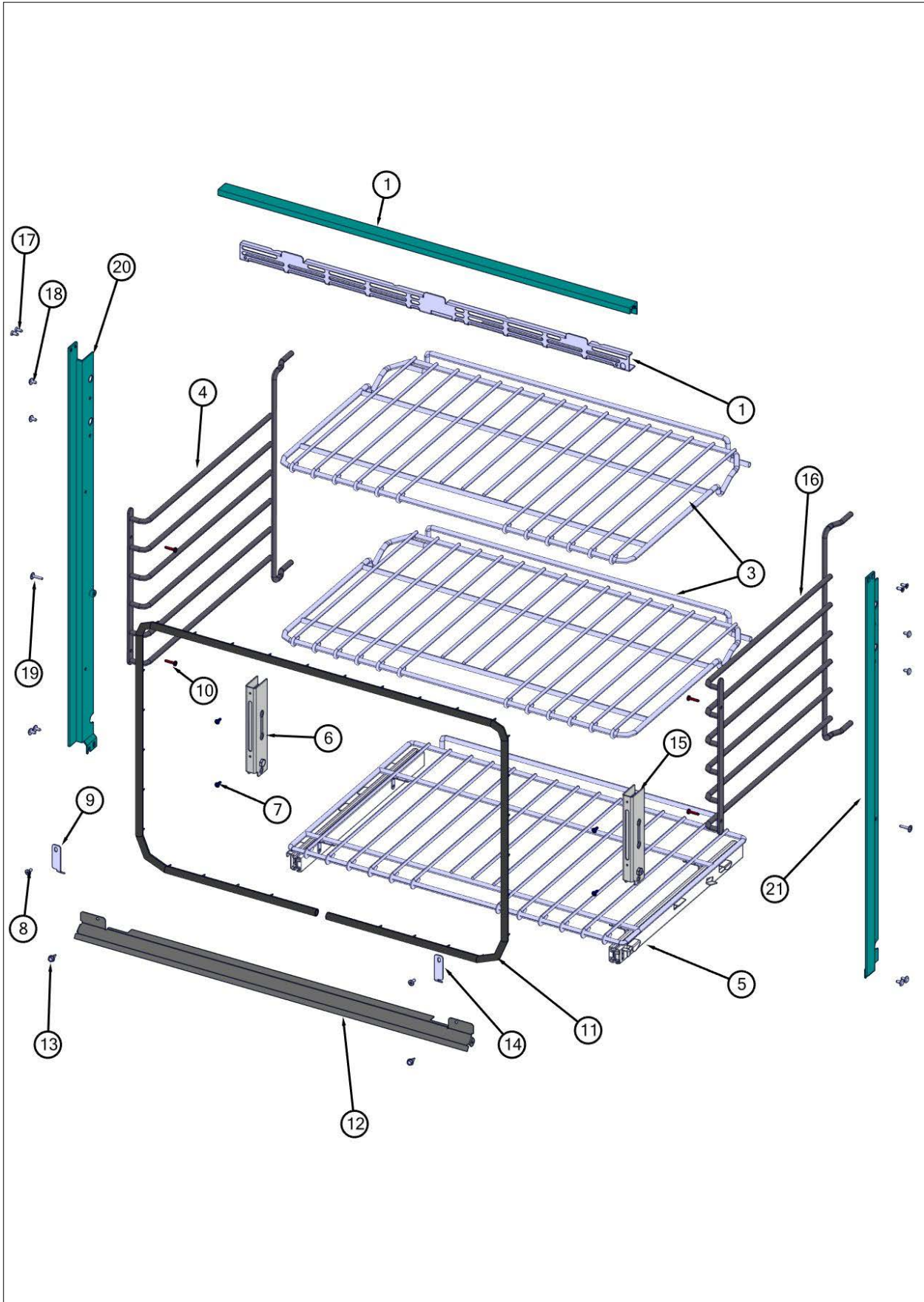
Sheet Metal View





Item	Part No.	Name	Qty	Uom	NOTES
1	003860-000	10-18 x .500 FASTNR,SCR,HXWH,STL,ZPLT	65	EA	
2	A20014049	30" REAR COVER	1	EA	
3	A20010934	BRACKET, MODULE PAN	1	EA	
4	A2009640	PANEL, REAR 30"	1	EA	
5	A21010918	BRACKET, AIR, CONVECTION MOTOR	1	EA	
6	049635-000	DIVERTER, AIR, WALL OVEN	1	EA	
7	A21010919	BRACKET, AIR, CONVECTION MOTOR	1	EA	
8	A2009671	BRACKET, POWER CABLE	1	EA	
9	A2009667	REAR AIR DIVIDER	1	EA	
10	A2009666	AIR CHANNEL	1	EA	
11	013564-000	LOWER LATCH INSULATION	1	EA	
12	058336-000	TOP, WO, 30"	1	EA	
13	032861-000	COVER, BAKE TRAY, BK PORC	1	EA	
14	G3009694	BASE MODULE ASSY 30"	1	EA	
15	003083-000	#8-18 x 1/2" PHIL FLAT TOP TRUSS HD AB SCREW	2	EA	
16	PD040132	SPRING-FAST GROMMET EDGING	0.083ft	EA	
17	A20014052	WIRE SHIELD	1	EA	
18	A20014089	DISC BRACKET	1	EA	
19	049187-000	FASTENER, W, PLSC	1	EA	

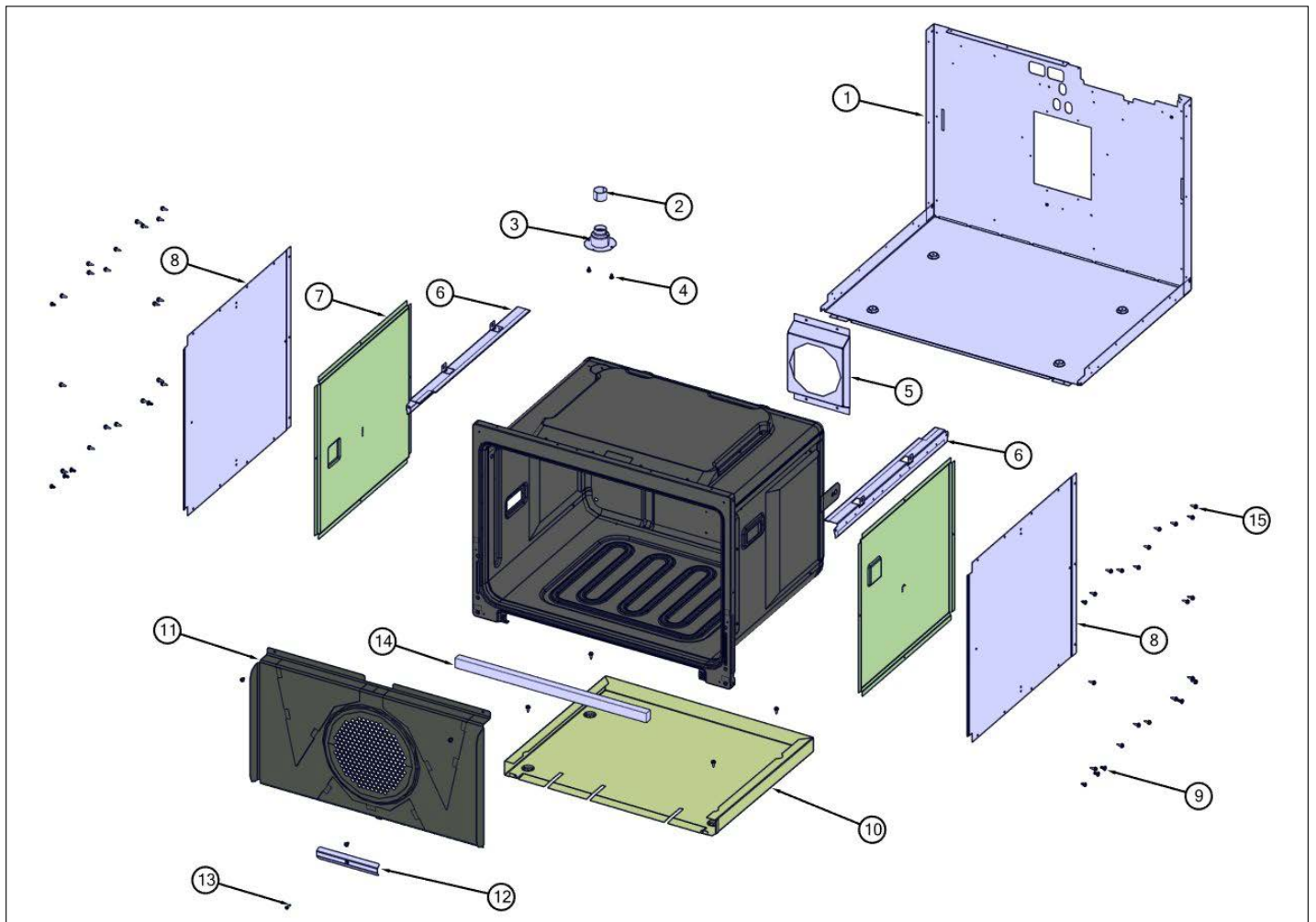
Cavity Interior and Trim View





Item	Part No.	Name	Qty	Uom	NOTES
1	024253-000	TRIM, TOP, 30"	1	EA	
2	055041-402	INLET GRILL, 30"- BK	1	EA	
3	065847-000	RACK, DF, PRO, 30" W/HDL	2	EA	
4	066224-402	SUPPORT, RACK, ASM, LH- BK	1	EA	
5	065947-000	RACK, GLIDE, WO, 30" W/HDL	1	EA	
6	PC020221	HINGE POCKET RECEIVER MANSFIELD RH	1	EA	
7	PD020062	#8-32 X 3/8 PHMS TYPE 1	4	EA	
8	M0210443	SCREW-E SM VM0210443	2	EA	
9	052426-402	RETAINER, HINGE, LH- BK	1	EA	
10	PD020232	#8 X 3/4" PH PAN HEAD TEK SCREW (BLACK OXIDE)	4	EA	
11	051590-000	GASKET, LINER, DF, ASM, 30"	1	EA	
12	025063-002	VENT, DFTR, 30"	1	EA	
13	003860-000	10-18 x .500 FASTNR,SCR,HXWH,STL,ZPLT	2	EA	
14	052425-402	RETAINER, HINGE, RH- BK	1	EA	
15	PC020247	HINGE POCKET RECEIVER MANSFIELD LH	1	EA	
16	066221-402	SUPPORT, RACK, ASM, RH- BK	1	EA	
17	M0215318	SCREW-SM	4	EA	
18	PD020032	SRW-8(A)X3/8"PH.WFR HD 7/16DIA*NICL	3	EA	
19	025494-000	SCR, PHLP, TRH, SLF-DLNG, #8-18x3/4"	2	EA	
20	024255-000	TRIM,EXTD,LH, SGL	1	EA	
21	024254-000	TRIM,EXTD,RH, SGL	1	EA	

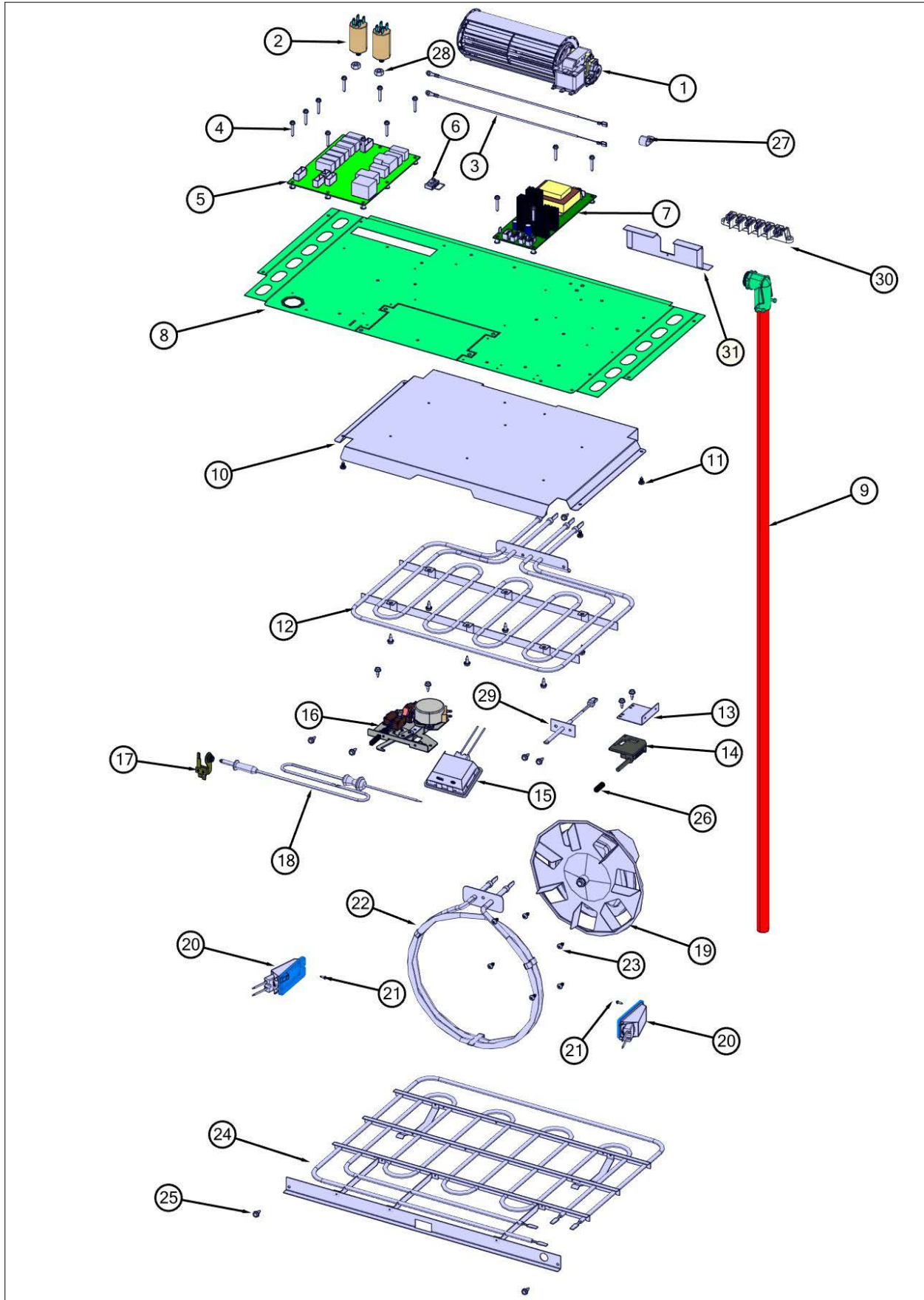
Cavity Exterior View





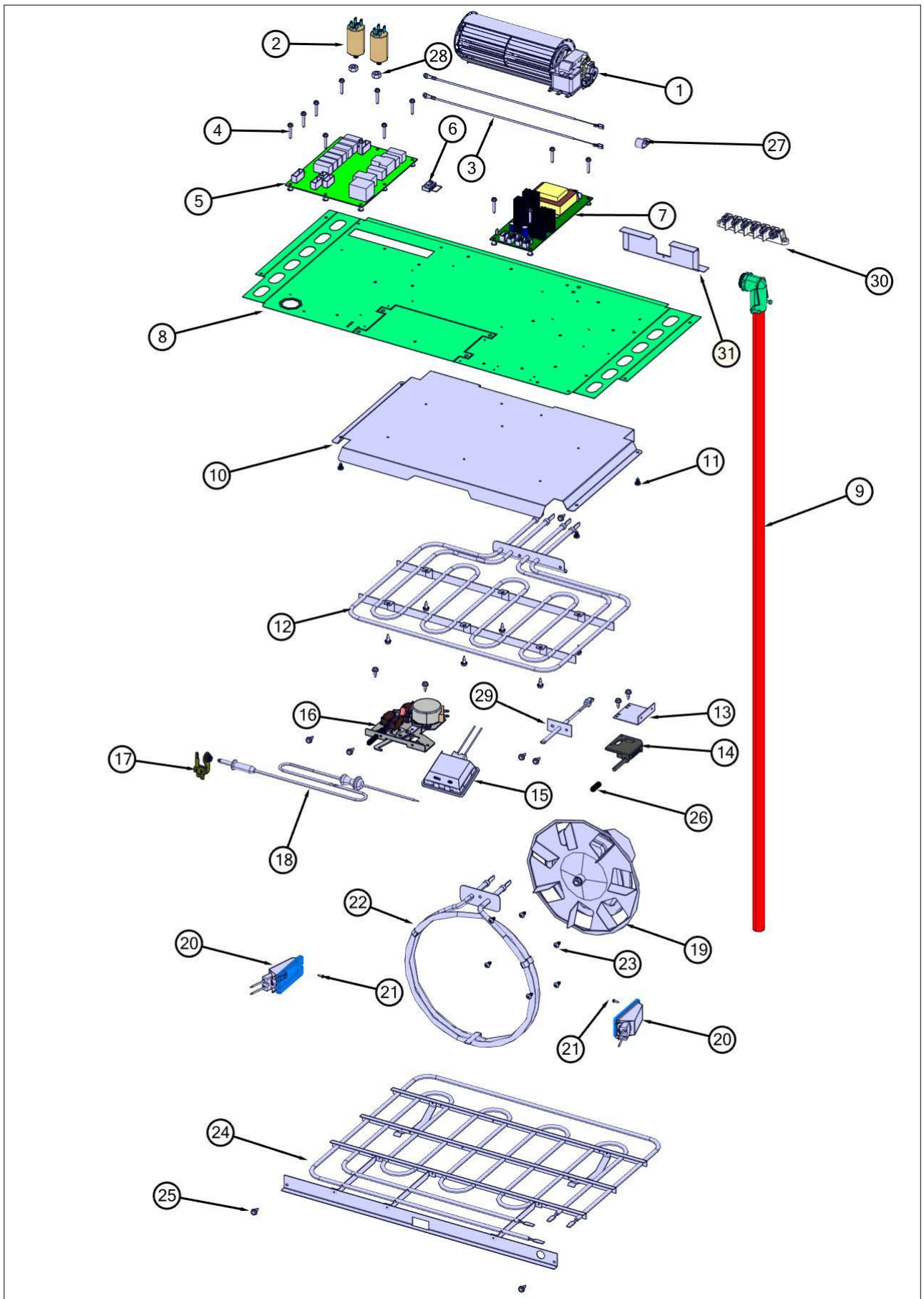
Item	Part No.	Name	Qty	Uom	NOTES
1	A2009620	BASE, BACK WRAPPER	1	EA	
2	PB020275	VENT TUBE	1	EA	
3	PM010014	SMOKE ELIMINATOR (VDSC)	1	EA	
4	037304-000	FASTENER, PNH, TORX, AB, PSVD, WAX	11	EA	
5	A2009697	BRACKET, CONVECTION INSULATION	1	EA	
6	A2009641	BRKT, TOP WRAPPER	2	EA	
7	066766-000	RETAINER, INSL, LHS	1	EA	
8	066764-000	WRAPPER, OVEN, SIDE	2	EA	
9	014143-000	SCR 10-12 A SHLD TRP 1/2 S ZN BLUE	6	EA	
10	066114-000	TRAY, ELEMENT, MTG, 30"	1	EA	
11	032857-402	BAFFLE, CNVN, ASM, D3 BLACK	1	EA	
12	051580-000	BRACKET, GASKET	1	EA	
13	PD020061	' #8 X 3/4 FLAT HD TEK. *SS*	1	EA	
NI	048457-000	INSULATION KIT #10	1	EA	
NI	048458-000	INSULATION KIT #2	1	EA	
14	013547-000	BAKE ELEMENT INSULATION	1	EA	
15	003860-000	10-18 x .500 FASTNR,SCR,HXWH,STL,ZPLT	46	EA	
NI	025067-000	BRACKET, TOUCH	1	EA	

Electrical View





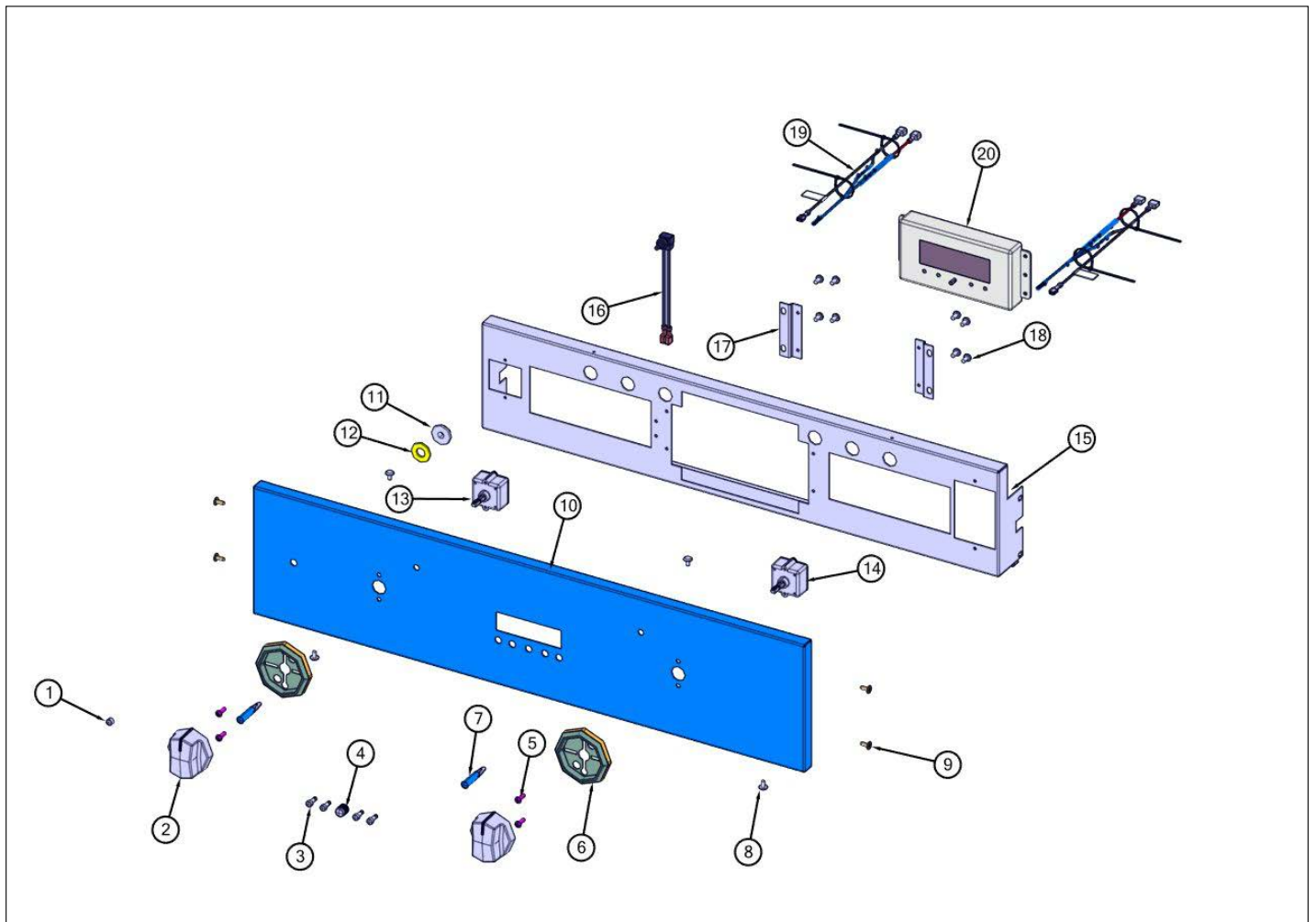
Item	Part No.	Name	Qty	Uom	NOTES
1	018607-000	FAN, BLO, 220-240V 50/60Hz ASM (MT1664)	1	EA	
2	053905-000	CAPACITOR, MOTOR, 3uF	2	EA	
3	044607-000	WIRE, GROUND	2	EA	
4	M0211021	SCREW-SM	13	EA	
5	046142-556	CONTROL, EOC4, LED, HDR, FD SW V56	1	EA	
<p>Comments for Part Num. 046142-556</p> <p>profixappliances@gmail.com on May 22, 2020</p> <p>SUB TO 046142-571</p>					
6	005292-000	HARN,HEADER, MODEL 5 (SEE MODEL_HEADER)	1	EA	
7	015201-000	LINEAR POWER SUPPLY	1	EA	
8	049720-000	PANEL, MTG, CONTROLS, EOC4	1	EA	
9	040196-000	CONDUIT, ELECTRICAL CORD, 48"	1	EA	
10	A20014021	REFLECTOR, BROIL	1	EA	
11	037304-000	FASTENER, PNH, TORX, AB, PSVD, WAX	4	EA	
12	PJ010049	BROIL ELEMENT	1	EA	
13	A20012649	DOOR SWITCH BRACKET	1	EA	
14	048347-000	SWITCH, SPDT, DOOR, STRAIGHT TABS	1	EA	
15	020403-000	BJB SLIMLINE 40W BULB	1	EA	
16	039293-000	LATCH, ELEC, 240V, ASSY	1	EA	
17	PE050115	MEAT PROBE JACK (SWITCHCRAFT'S PART# 3J1505)	1	EA	
<p>Comments for Part Num. PE050115</p> <p>bradleysapplianceservice@shaw.ca on May 8, 2017</p> <p>Meat probe is not illustrated on Parts Break Down.</p> <p>PE050114 MEAT PROBE</p>					
18	PE050114	MEAT PROBE (DESO/DED0) (SWITCHCRAFT'S PART # 4C7919)	1	EA	





Item	Part No.	Name	Qty	Uom	NOTES
19	G32014020	CONVECTION FAN ASSY	1	EA	
20	005311-000	120v/25W HALOGEN LIGHT	2	EA	
21	PD020013	TYPE "AB" #6 X 3/8 PH PAN HD. SMS	2	EA	
22	PJ010047	CONVECTION ELEMENT	1	EA	
23	PD020055	' #10 X 1/2" PAN PHIL. TEK.*SS*	6	EA	
24	PJ010048	BAKE ELEMENT	1	EA	
25	003860-000	10-18 x .500 FASTNR,SCR,HXWH,STL,ZPLT	17	EA	
26	044044-000	GROMMET, SWITCH, DOOR, RBR	1	EA	
27	PD030118	INSULATED CLAMP	1	EA	
28	PD030172	M8 X 1.25MM NUT	2	EA	
29	PE050206	RTD THERMOSTAT PROBE	1	EA	
30	054135-000	BLOCK, TERMINAL, 6-POLE (Heyco # 9454)	1	EA	
31	074909-000	BRACKET, SUPPORT, TRAY, ELECTRONIC	1	EA	

Control View





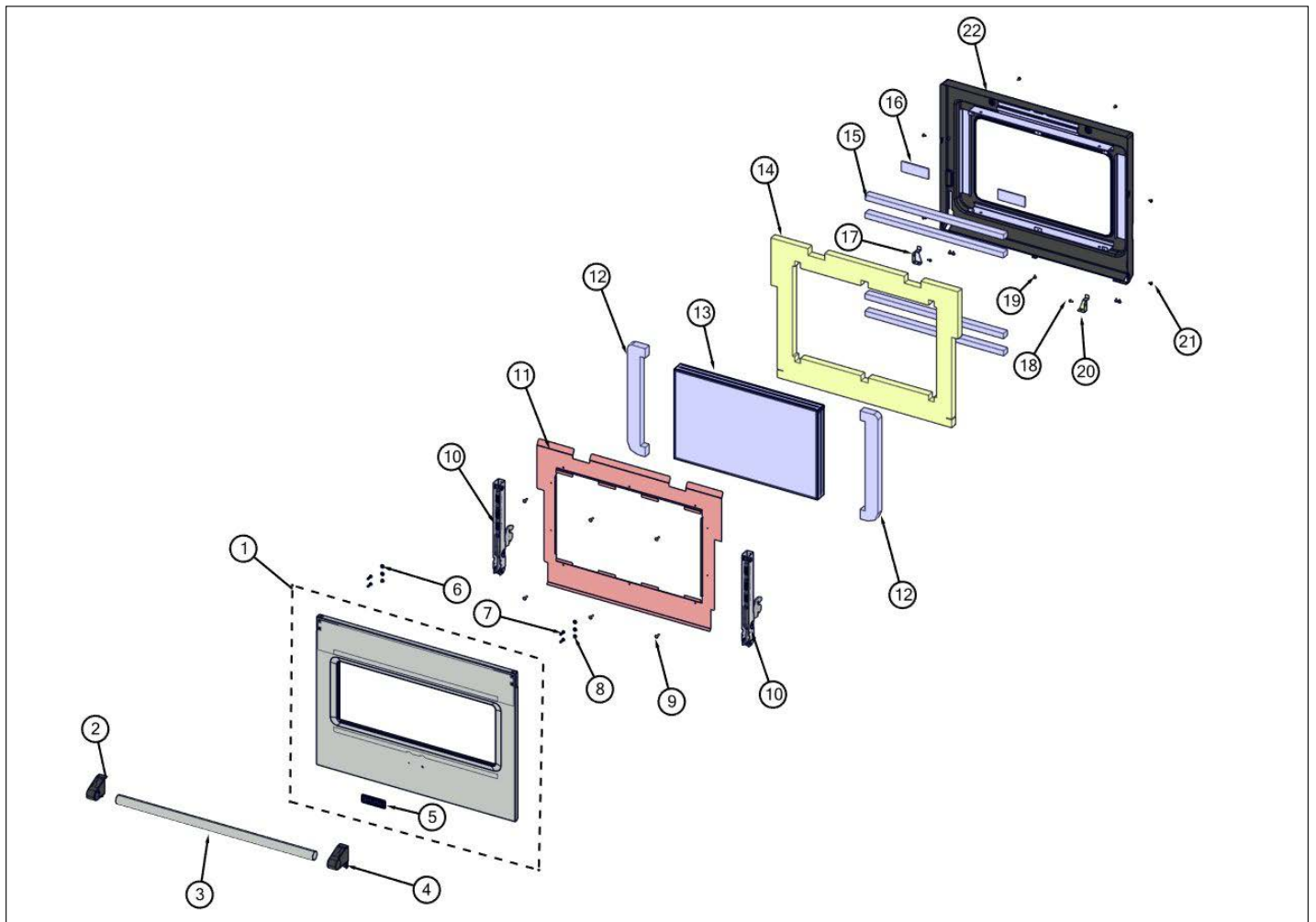
Item	Part No.	Name	Qty	Uom	NOTES
1	PA010093	DESIGNER OVEN LT SWITCH KNOB	1	EA	
2	064101-2095	KNOB, WO, PRO ASSY, BLACK CHROME, W/GRAPHICS	2	EA	
3	PB010315	DES. CLOCK BUTTON	4	EA	
4	036423-000	KNOB BIT GEN CR3	1	EA	
5	PD020261	#8-32X1/2" PH PANHEAD MACH. SCREW	4	EA	
6	050172-000	BEZEL, KNOB	2	EA	
7	015043-000	INDICATOR, LIGHT, BLUE LED	2	EA	
8	PD020032	SRW-8(A)X3/8"PH.WFR HD 7/16DIA*NICL	4	EA	
9	003083-000	#8-18 x 1/2" PHIL FLAT TOP TRUSS HD AB SCREW	4	EA	
10	035974-2294	PNL,CTRL,ASM W/GRAPHICS,SINGLE 30"	1	EA	
11	036575-000	MOUNT, SW, D3, LIGHT	1	EA	
12	036574-000	MOUNT, ADH, LIGHT, BRKT	1	EA	
13	pj030033	SELECTOR (10 POS)	1	EA	
14	pj030035	THERMOSTAT	1	EA	
15	024774-000	PANEL, CONTROL MOUNTING	1	EA	
16	G40015469	LIGHT SWITCH ASSEMBLY	1	EA	
17	025058-000	BRACKET, CLOCK	2	EA	
18	PD020004	10X3/8PH.HD.TYPE 25 REPL PD040125	8	EA	
19	051443-000	LED VOLTAGE DROP JUMPER 240V	2	EA	
20	020619-526	DISPLAY, CLOCK, TOD3, V26 (SEE 020619-000)	1	EA	

Comments for Part Num. 020619-526

gboltz@VikingRange.com on Jun 3, 2019

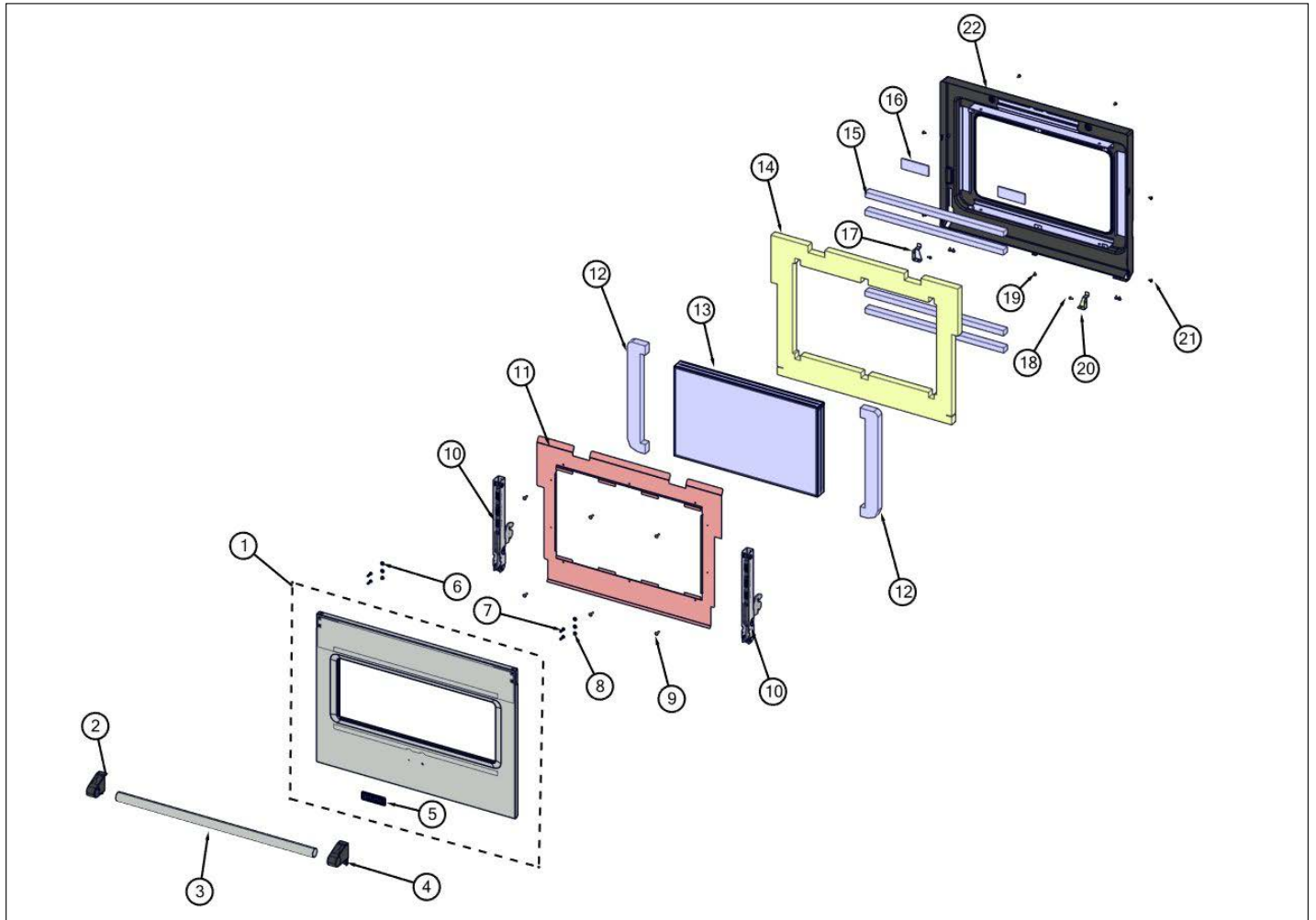
See Service Bulletin TC-0125-SP

Door View





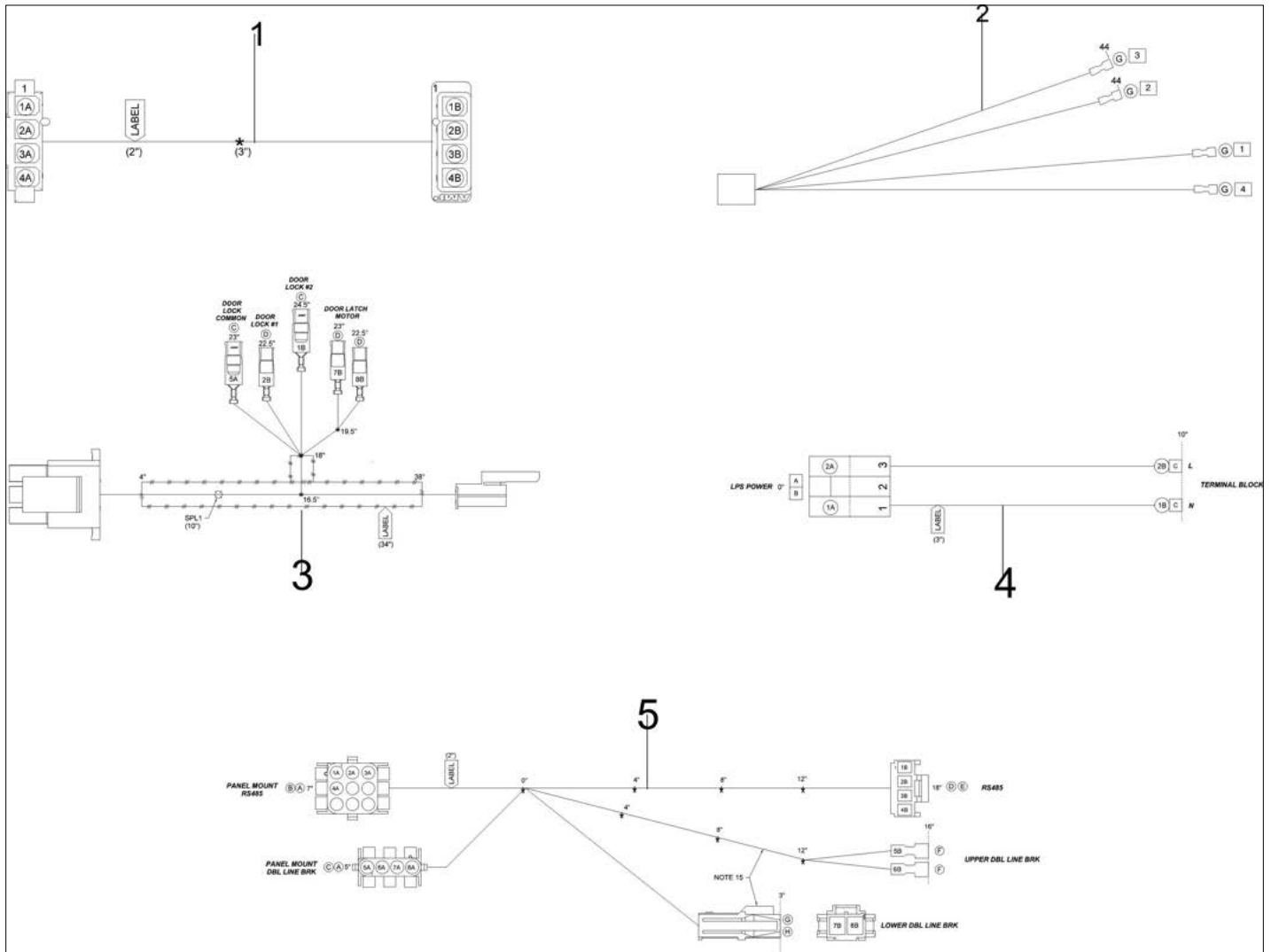
Item	Part No.	Name	Qty	Uom	NOTES
1	063296-000	DOOR, OS, KIT, ASM, W/LOGO, 30"	1	EA	
1	063580-002	DOOR, OS, KIT, ASM, W/LOGO, 30", DECARB BK	1	EA	
1	063580-006	DOOR, OS, KIT, ASM, W/LOGO, 30", DECARB WH	1	EA	
1	063580-005	DOOR, OS, KIT, ASM, W/LOGO, 30", DECARB GG	1	EA	
1	063580-008	DOOR, OS, KIT, ASM, W/LOGO, 30", DECARB BU	1	EA	
1	063580-013	DOOR, OS, KIT, ASM, W/LOGO, 30", DECARB CB	1	EA	
1	063580-024	DOOR, OS, KIT, ASM, W/LOGO, 30", DECARB AR	1	EA	
1	063580-2801	DOOR, OS, KIT, ASM, W/LOGO, 30", DECARB Kalamata Red (KA)	1	EA	
1	063580-2847	DOOR, OS, KIT, ASM, W/LOGO, 30", DECARB Blackforest Green (BF)	1	EA	
1	063580-6180	DOOR, OS, KIT, ASM, W/LOGO, 30", DECARB Cypress Green (CY)	1	EA	
1	063580-6258	DOOR, OS, KIT, ASM, W/LOGO, 30", DECARB Cast Black (CS)	1	EA	
1	063580-6421	DOOR, OS, KIT, ASM, W/LOGO, 30", DECARB Vanilla Cream (VC)	1	EA	
1	063580-6765	DOOR, OS, KIT, ASM, W/LOGO, 30", DECARB Bywater Blue (BW)	1	EA	
1	063580-6797	DOOR, OS, KIT, ASM, W/LOGO, 30", DECARB Alluvial Blue (AB)	1	EA	
1	063580-6871	DOOR, OS, KIT, ASM, W/LOGO, 30", DECARB San Marzano Red (SM)	1	EA	
1	063580-7024	DOOR, OS, KIT, ASM, W/LOGO, 30", DECARB Pacific Grey (PG)	1	EA	
1	063580-7070	DOOR, OS, KIT, ASM, W/LOGO, 30", DECARB Frost White (FW)	1	EA	
1	063580-7585	DOOR, OS, KIT, ASM, W/LOGO, 30", DECARB Reduction Red (RE)	1	EA	
1	063580-7652	DOOR, OS, KIT, ASM, W/LOGO, 30", DECARB Artic Grey (AG)	1	EA	
1	063580-7674	DOOR, OS, KIT, ASM, W/LOGO, 30", DECARB Damascus Grey (DG)	1	EA	





Item	Part No.	Name	Qty	Uom	NOTES
1	063580-9178	DOOR, OS, KIT, ASM, W/LOGO, 30", DECARB Slate Blue (SB)	1	EA	
2	025186-000	ENDCAP, DOOR HDL, ASM, LH	1	EA	
3	023998-000	HANDLE DOOR 30" 29.126	1	EA	
4	025187-000	ENDCAP, DOOR HDL, ASM, RH	1	EA	
5	062341-000	NAMEPLATE, VIKING, 3.500", W/LOC PINS	1	EA	
6	004907-000	STEEL FINISHING PLUG, NICKEL PLTD 25/64" HOLE	4	EA	
7	030823-000	#10-32 PAN HEAD PHILLIPS MACHINE SCREW	4	EA	
8	PD020073	SRW #10 X 24 X 3/8 WAFER HD TYPE23	2	EA	
9	PD020014	10X3/4 PH TR HD SMS	6	EA	
10	023799-000	HINGE, MANSFIELD, RED	2	EA	
11	A2009632	PANEL, INULATION, INNER DOOR	1	EA	
12	013558-000	SIDE DOOR PLUG INSULATION	2	EA	
13	PE060094	30" WINDOW PACK	1	EA	
14	013543-000	30" DOOR INSULATION	1	EA	
15	013547-000	BAKE ELEMENT INSULATION	4	EA	
16	013567-000	DOOR BRACKET INSULATION	2	EA	
17	A20012641	HINGE SUPPORT LH	1	EA	
18	PD020004	10X3/8PH.HD.TYPE 25 REPL PD040125	2	EA	
19	PD020032	SRW-8(A)X3/8"PH.WFR HD 7/16DIA*NICL	8	EA	
20	A20012640	HINGE SUPPORT RH	1	EA	
21	PD020063	SCREW-#8(A) X 3/8"PH WFR HD/BK OXID	6	EA	
22	050694-000	LINER, DOOR, PORC BLK	1	EA	

Wiring View





Item	Part No.	Name	Qty	Uom	NOTES
1	050081-000	HARN, JUMPER, ADAPT CONV FAN	1	EA	
2	PE070739	BAKE ELEMENT HARNESS	1	EA	
3	058089-000	HARN, WALL OVEN, UPR, LATCH, SELECT	1	EA	
4	055982-000	HARN, VESO, EOC4, PS PWR, MAINS, JUMPER	1	EA	
5	057347-000	HARN, WALL OVEN, DOUBLE, TEST	1	EA	



Item	Part No.	Name	Qty	Uom	NOTES
1	061003-000	HARN, WALL OVEN, UPR, MAIN, EOC4	1	EA	



Appendix A:Pages Index

Cavity Exterior View 3
Cavity Interior and Trim View 2
Control View 5
Door View 6
Electrical View 4
Sheet Metal View 1
Wiring Harness View 8
Wiring View 7



Appendix B:Parts Index

003083-000	1, 5	046142-556	4
003860-000	1, 2, 3, 4	048347-000	4
004907-000	6	048457-000	3
005292-000	4	048458-000	3
005311-000	4	049187-000	1
013543-000	6	049635-000	1
013547-000	3, 6	049720-000	4
013558-000	6	050081-000	7
013564-000	1	050172-000	5
013567-000	6	050694-000	6
014143-000	3	051443-000	5
015043-000	5	051580-000	3
015201-000	4	051590-000	2
018607-000	4	052425-402	2
020403-000	4	052426-402	2
020619-526	5	053905-000	4
023799-000	6	054135-000	4
023998-000	6	055041-402	2
024253-000	2	055982-000	7
024254-000	2	057347-000	7
024255-000	2	058089-000	7
024774-000	5	058336-000	1
025058-000	5	061003-000	8
025063-002	2	062341-000	6
025067-000	3	063296-000	6
025186-000	6	063580-002	6
025187-000	6	063580-005	6
025494-000	2	063580-006	6
030823-000	6	063580-008	6
032857-402	3	063580-013	6
032861-000	1	063580-024	6
035974-2294	5	063580-2801	6
036423-000	5	063580-2847	6
036574-000	5	063580-6180	6
036575-000	5	063580-6258	6
037304-000	3, 4	063580-6421	6
039293-000	4	063580-6765	6
040196-000	4	063580-6797	6
044044-000	4	063580-6871	6
044607-000	4	063580-7024	6
		063580-7070	6



063580-7585	6	PC020247	2
063580-7652	6	PD020004	5, 6
063580-7674	6	PD020013	4
063580-9178	6	PD020014	6
064101-2095	5	PD020032	2, 5, 6
065847-000	2	PD020055	4
065947-000	2	PD020061	3
066114-000	3	PD020062	2
066221-402	2	PD020063	6
066224-402	2	PD020073	6
066764-000	3	PD020232	2
066766-000	3	PD020261	5
074909-000	4	PD030118	4
A20010934	1	PD030172	4
A20012640	6	PD040132	1
A20012641	6	PE050114	4
A20012649	4	PE050115	4
A20014021	4	PE050206	4
A20014049	1	PE060094	6
A20014052	1	PE070739	7
A20014089	1	PJ010047	4
A2009620	3	PJ010048	4
A2009632	6	PJ010049	4
A2009640	1	PM010014	3
A2009641	3	pj030033	5
A2009666	1	pj030035	5
A2009667	1		
A2009671	1		
A2009697	3		
A21010918	1		
A21010919	1		
G3009694	1		
G32014020	4		
G40015469	5		
M0210443	2		
M0211021	4		
M0215318	2		
PA010093	5		
PB010315	5		
PB020275	3		
PC020221	2		