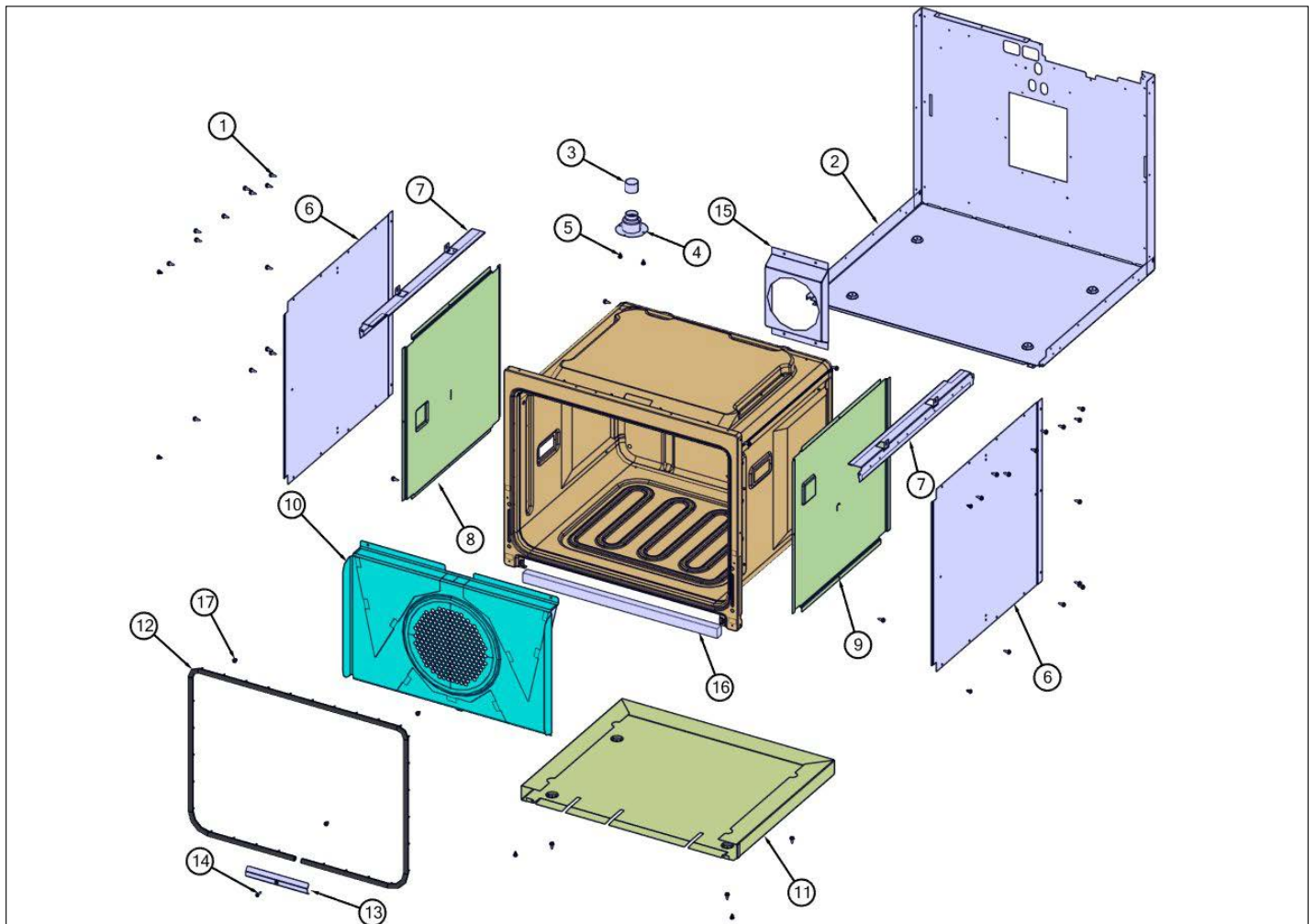


**VSOE527SS01**

Cavity Exterior View .....	1
Interior View .....	2
Electrical View .....	3
Decor View .....	4
Control View .....	5
Door View .....	6
Wiring View .....	7
Wire Harness View .....	8
Wiring Diagram View .....	9
Appendix A:Pages Index .....	A
Appendix B:Parts Index .....	B



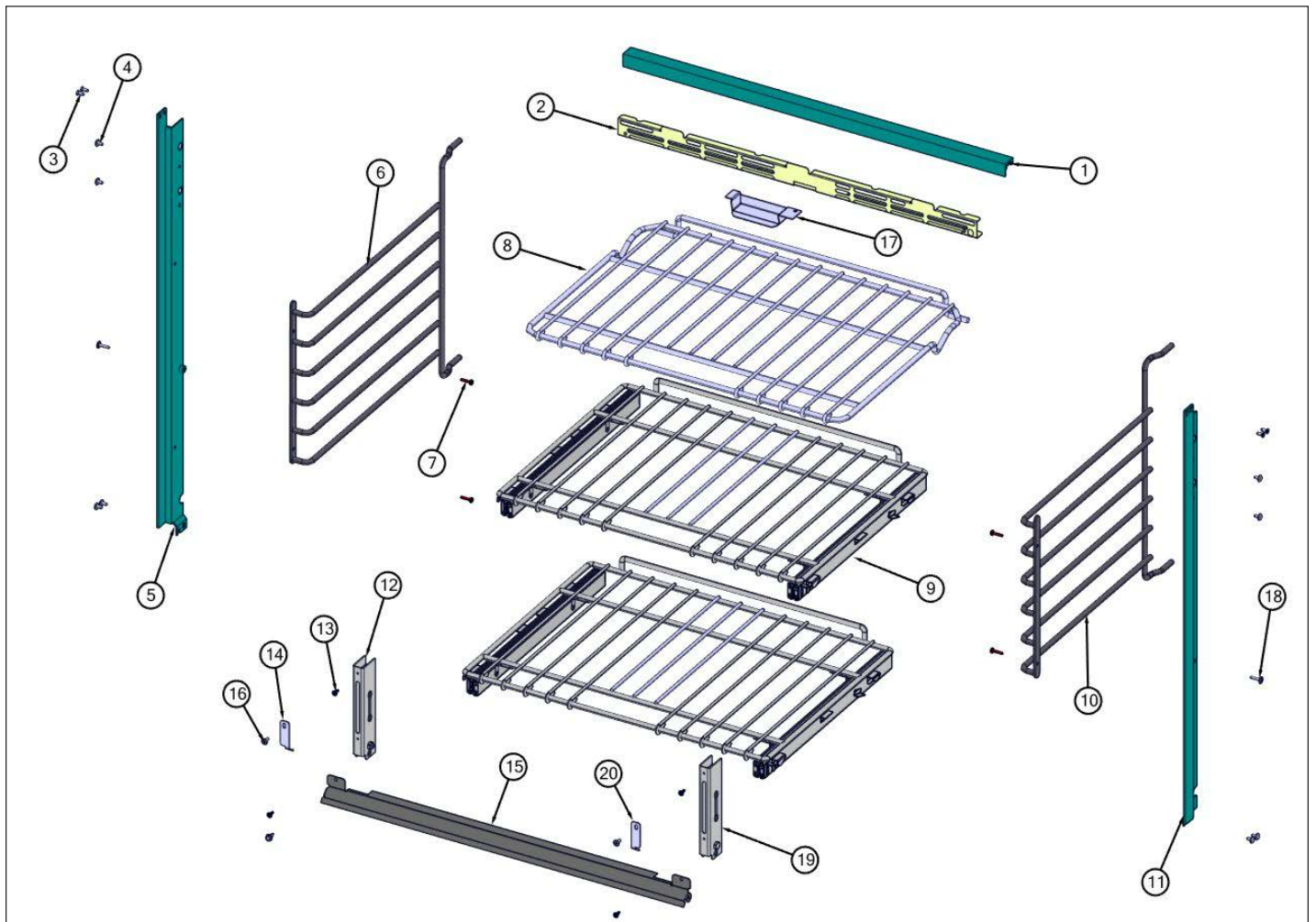
Cavity Exterior View





Item	Part No.	Name	Qty	Uom	NOTES
1	003860-000	10-18 x .500 FASTNR,SCR,HXWH,STL,ZPLT	62	EA	
2	A20010931	BASE, BACK WRAPPER, 27"	1	EA	
3	PB020275	VENT TUBE	1	EA	
4	PM010014	SMOKE ELIMINATOR (VDSC)	1	EA	
5	037304-000	FASTENER, PNH, TORX, AB, PSVD, WAX	4	EA	
6	066764-000	WRAPPER, OVEN, SIDE	1	EA	
7	a2009641	BRKT, TOP WRAPPER	2	EA	
8	066766-000	RETAINER, INSL, LHS	1	EA	
9	066765-000	RETAINER, INSL, RHS	1	EA	
10	G91013597	27" BAFFLE ASSEMBLY	1	EA	
11	065966-000	TRAY, ELEMENT, MTG, 27"	1	EA	
12	051590-000	GASKET, LINER, DF, ASM, 30"	1	EA	
13	051580-000	BRACKET, GASKET	1	EA	
14	PD020061	' #8 X 3/4 FLAT HD TEK. *SS*	1	EA	
15	A2009697	BRACKET, CONVECTION INSULATION	1	EA	
16	013547-000	BAKE ELEMENT INSULATION	1	EA	
17	037304-000	FASTENER, PNH, TORX, AB, PSVD, WAX	11	EA	
NI	048459-000	INSULATION KIT #11	1	EA	
NI	049868-000	INSULATION KIT #15	1	EA	

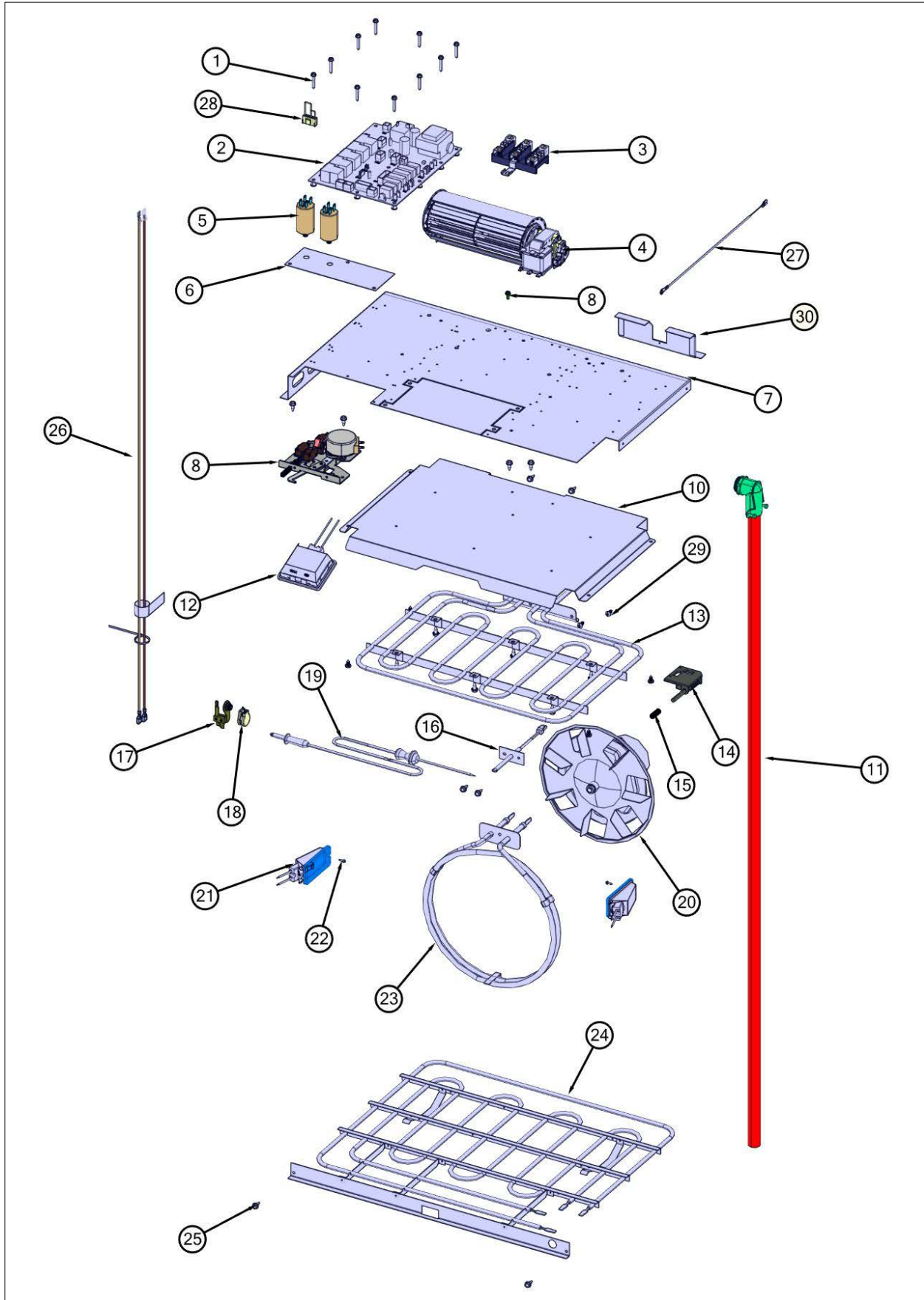
Interior View





Item	Part No.	Name	Qty	Uom	NOTES
1	024264-000	TRIM,EXTD, TOP, 27"	1	EA	
2	c90014073BK	27" INLET GRILL	1	EA	
3	M0215318	SCREW-SM	4	EA	
4	PD020032	SRW-8(A)X3/8"PH.WFR HD 7/16DIA*NICL	8	EA	
5	024255-000	TRIM,EXTD,LH, SGL	1	EA	
6	066224-402	SUPPORT, RACK, ASM, LH- BK	1	EA	
7	pd020232	#8 X 3/4" PH PAN HEAD TEK SCREW (BLACK OXIDE)	4	EA	
8	065887-000	RACK, DF, PRO, 27" W/ HDL	1	EA	
9	065891-000	RACK, GLIDE, WO, 27" W/HDL	2	EA	
10	066221-402	SUPPORT, RACK, ASM, RH- BK	1	EA	
11	024254-000	TRIM,EXTD,RH, SGL	1	EA	
12	PC020247	HINGE POCKET RECEIVER MANSFIELD LH	1	EA	
13	pd020062	#8-32 X 3/8 PHMS TYPE 1	4	EA	
14	052426-002	RETAINER, HINGE, LH, BK	1	EA	
15	025219-002	27" DEFLECTOR (BK)	1	EA	
16	M0210443	SCREW-E SM VM0210443	2	EA	
17	016021-000	COVER, TERM, BROILER	1	EA	
18	025494-000	SCR, PHLP, TRH, SLF-DLNG, #8-18x3/4"	2	EA	
19	PC020221	HINGE POCKET RECEIVER MANSFIELD RH	1	EA	
20	052425-002	RETAINER, HINGE, RH, BK	1	EA	

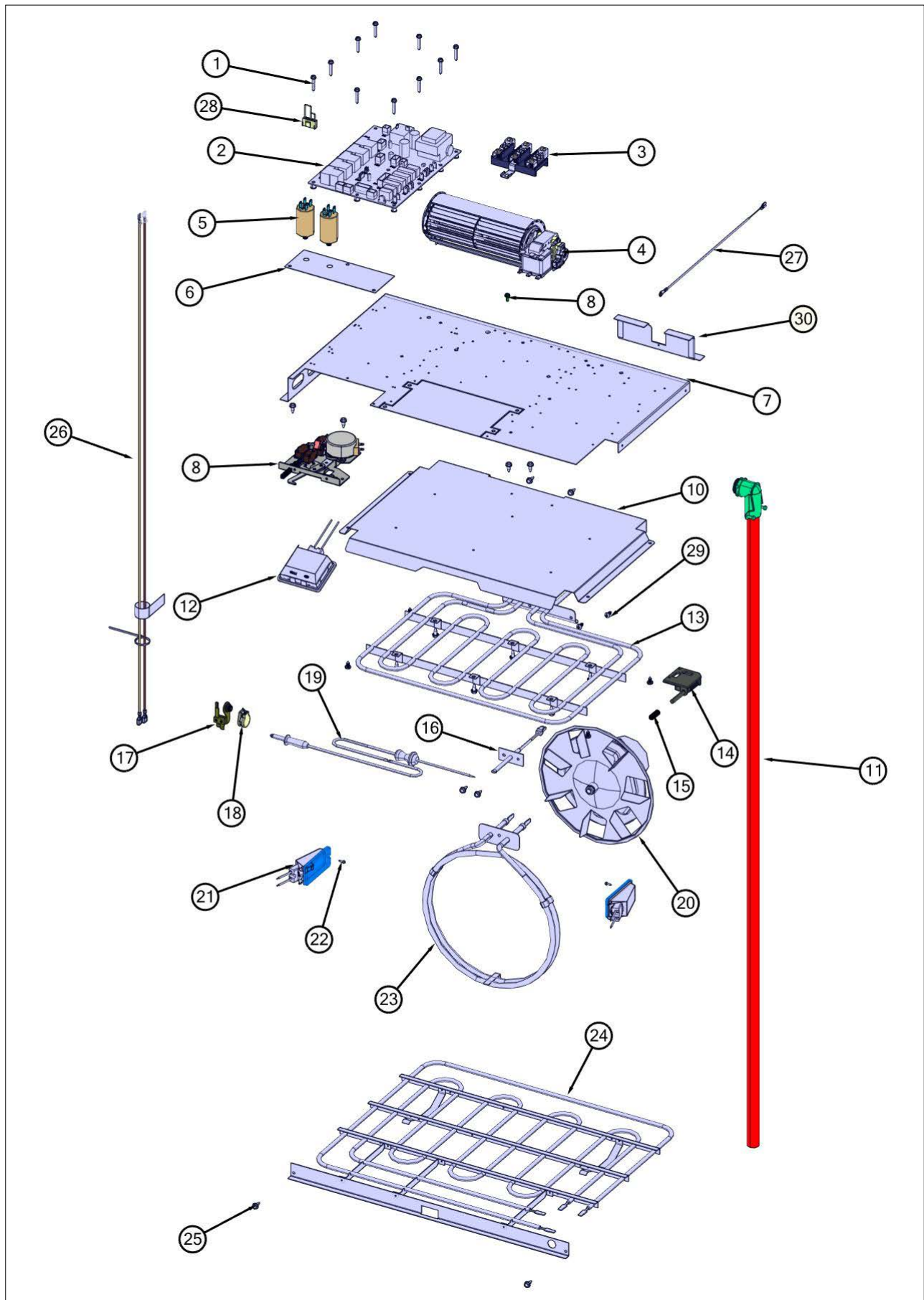
Electrical View







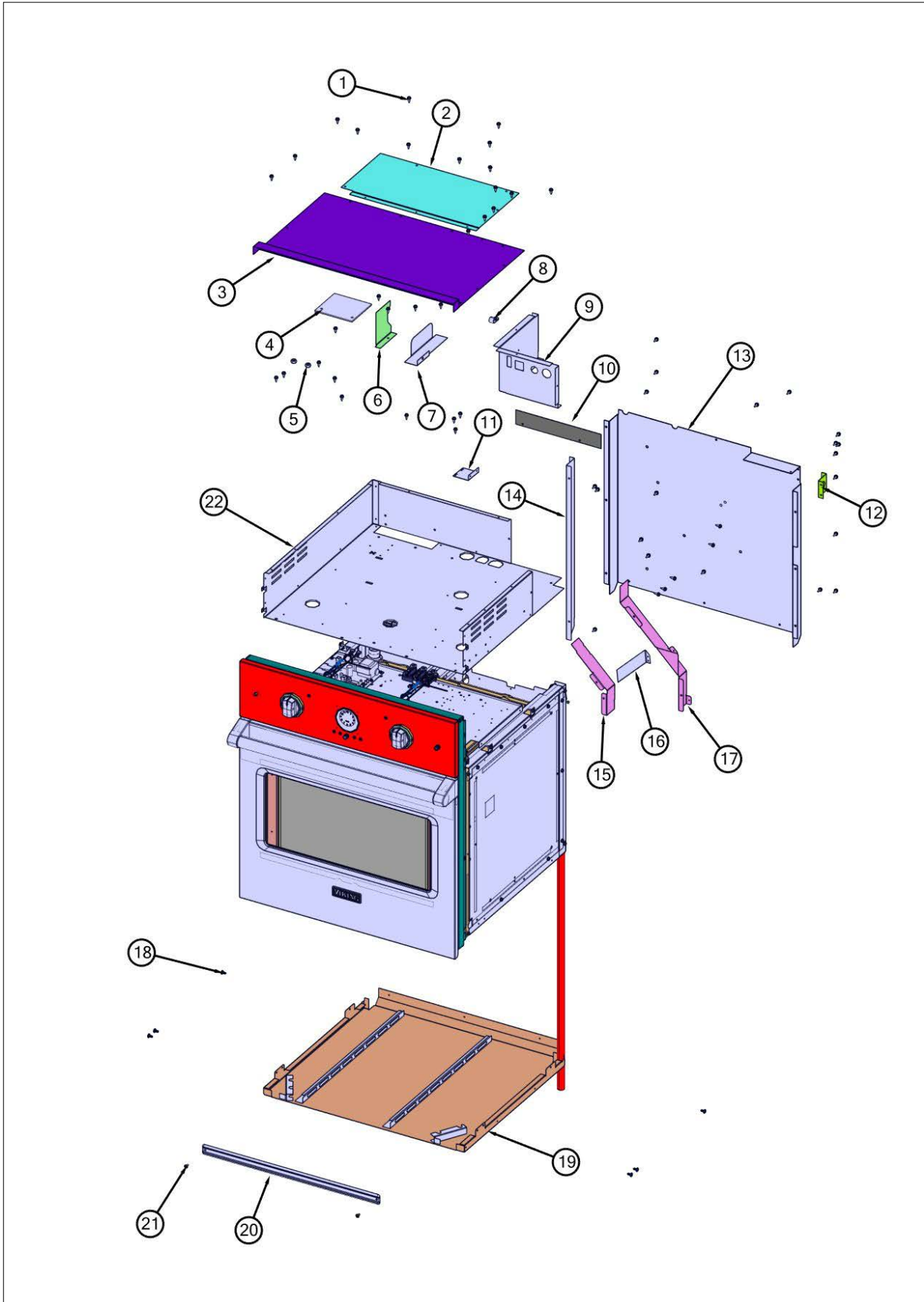
Item	Part No.	Name	Qty	Uom	NOTES
1	M0211021	SCREW-SM	10	EA	
2	000621-501	CONTROL, EOC4, V201-V206 & FAMILY	1	EA	
3	PE070147	TERMINAL BLOCK (VDSC)	1	EA	
4	018607-000	FAN, BLO, 220-240V 50/60Hz ASM (MT1664)	1	EA	
5	053905-000	CAPACITOR, MOTOR, 3uF	2	EA	
6	A10014028	2 CAPACITOR BRACKET	1	EA	
<p>Comments for Part Num. A10014028</p> <p>service@priorityappliance.com on Jan 17, 2019</p> <p>The capacitors are part # 036047-000, found by looking up a VEDO130. Confirmed - they're the same capacitor.</p>					
7	058337-000	TRAY, ELEC, EOC4	1	EA	
8	PD020010	10 X 3/8 GREEN GROUNDING SCREW	1	EA	
9	039293-000	LATCH, ELEC, 240V, ASSY	1	EA	
10	A20014021	REFLECTOR, BROIL	1	EA	
11	040196-000	CONDUIT, ELECTRICAL CORD, 48"	1	EA	
12	020403-000	BJB SLIMLINE 40W BULB	1	EA	
13	PJ010049	BROIL ELEMENT	1	EA	
14	048347-000	SWITCH, SPDT, DOOR, STRAIGHT TABS	1	EA	
15	044044-000	GROMMET, SWITCH, DOOR, RBR	1	EA	
16	PE050206	RTD THERMOSTAT PROBE	1	EA	
17	PE050115	MEAT PROBE JACK (SWITCHCRAFT'S PART# 3J1505)	1	EA	
<p>Comments for Part Num. PE050115</p> <p>bradleysapplianceservice@shaw.ca on May 8, 2017</p> <p>Meat probe is not illustrated on Parts Break Down.</p> <p>PE050114 MEAT PROBE</p>					
18	pm010160	MEAT PROBE JACK COVER (SWITCHCRAFT'S PART# 2C1098)	1	EA	





Item	Part No.	Name	Qty	Uom	NOTES
19	PE050114	MEAT PROBE (DESO/DEDO) (SWITCHCRAFT'S PART # 4C7919)	1	EA	
20	G32014020	CONVECTION FAN ASSY	1	EA	
21	005311-000	120v/25W HALOGEN LIGHT	2	EA	
22	PD020013	TYPE "AB" #6 X 3/8 PH PAN HD. SMS	2	EA	
23	PJ010047	CONVECTION ELEMENT	1	EA	
24	pj010048	BAKE ELEMENT	1	EA	
25	003860-000	10-18 x .500 FASTNR,SCR,HXWH,STL,ZPLT	2	EA	
26	PE070735	MEAT PROBE HARNESS	1	EA	
27	044607-000	WIRE, GROUND	1	EA	
28	PE070734	HARN, HEADER, MODEL 14 (SEE (MODEL_HEADER)	1	EA	
29	PD020055	' #10 X 1/2" PAN PHIL. TEK.*SS*	6	EA	
30	074909-000	BRACKET, SUPPORT, TRAY, ELECTRONIC	1	EA	

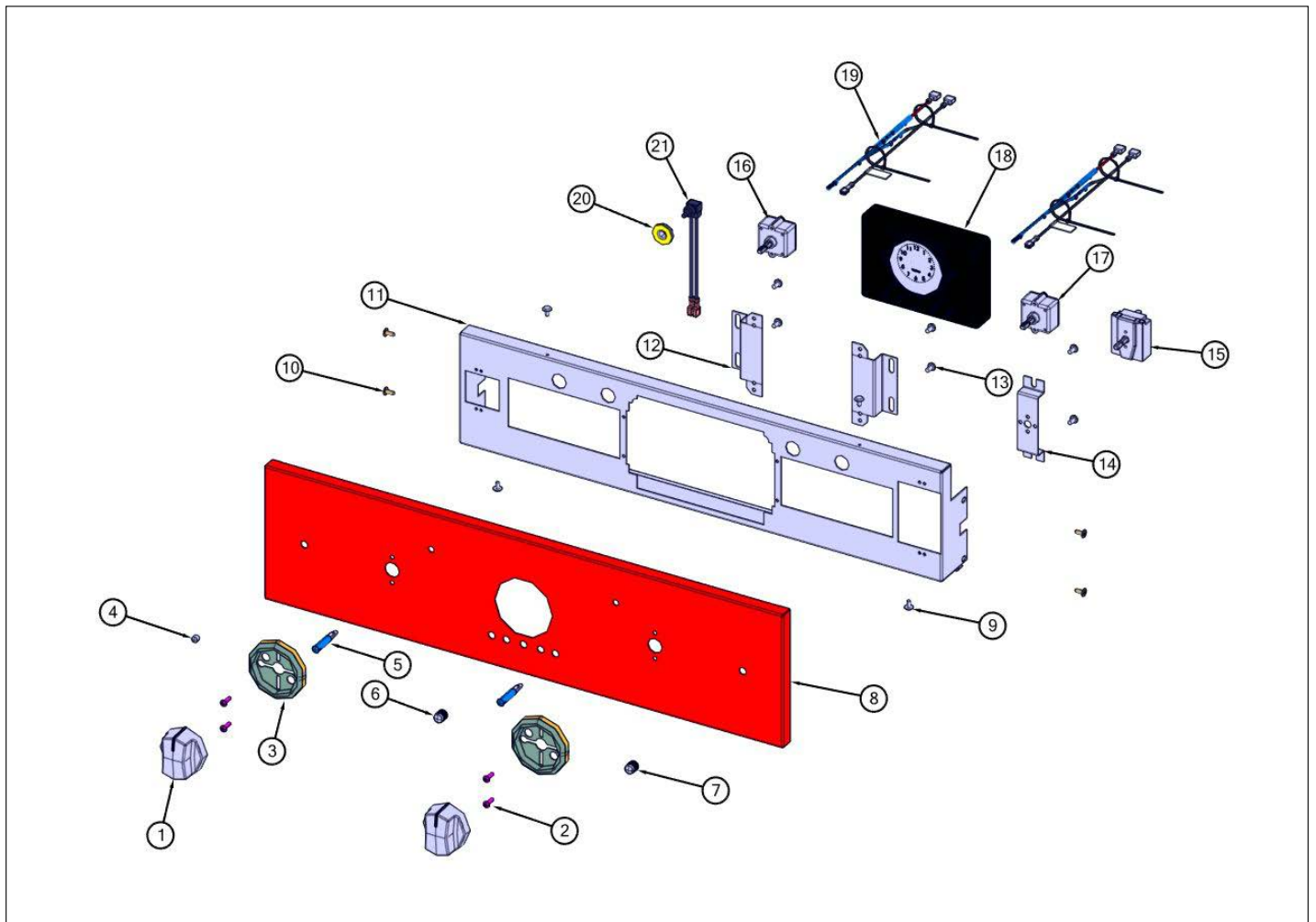
Decor View





Item	Part No.	Name	Qty	Uom	NOTES
1	003860-000	10-18 x .500 FASTNR,SCR,HXWH,STL,ZPLT	45	EA	
2	A20014047	27" REAR COVER	1	EA	
3	025221-000	PANEL,CVR, TOP, FR, 27"	1	EA	
4	013564-000	LOWER LATCH INSULATION	1	EA	
5	pd030172	M8 X 1.25MM NUT	2	EA	
6	a2009667	REAR AIR DIVIDER	1	EA	
7	A20014052	WIRE SHIELD	1	EA	
8	pd030118	INSULATED CLAMP	1	EA	
9	a20010934	BRACKET, MODULE PAN	1	EA	
10	A10010907	COVER, BLOWER	1	EA	
11	A20012649	DOOR SWITCH BRACKET	1	EA	
12	A2009671	BRACKET, POWER CABLE	1	EA	
13	A20010937	PANEL, REAR 27"	1	EA	
14	A2009666	AIR CHANNEL	1	EA	
15	a21010919	BRACKET, AIR, CONVECTION MOTOR	1	EA	
16	049635-000	DIVERTER, AIR, WALL OVEN	1	EA	
17	a21010918	BRACKET, AIR, CONVECTION MOTOR	1	EA	
18	014143-000	SCR 10-12 A SHLD TRP 1/2 S ZN BLUE	6	EA	
19	g30010922	BASE MODULE ASSY 27"	1	EA	
20	032861-000	COVER, BAKE TRAY, BK PORC	1	EA	
21	003083-000	#8-18 x 1/2" PHIL FLAT TOP TRUSS HD AB SCREW	2	EA	
22	058338-000	MODULE PAN, 27"	1	EA	

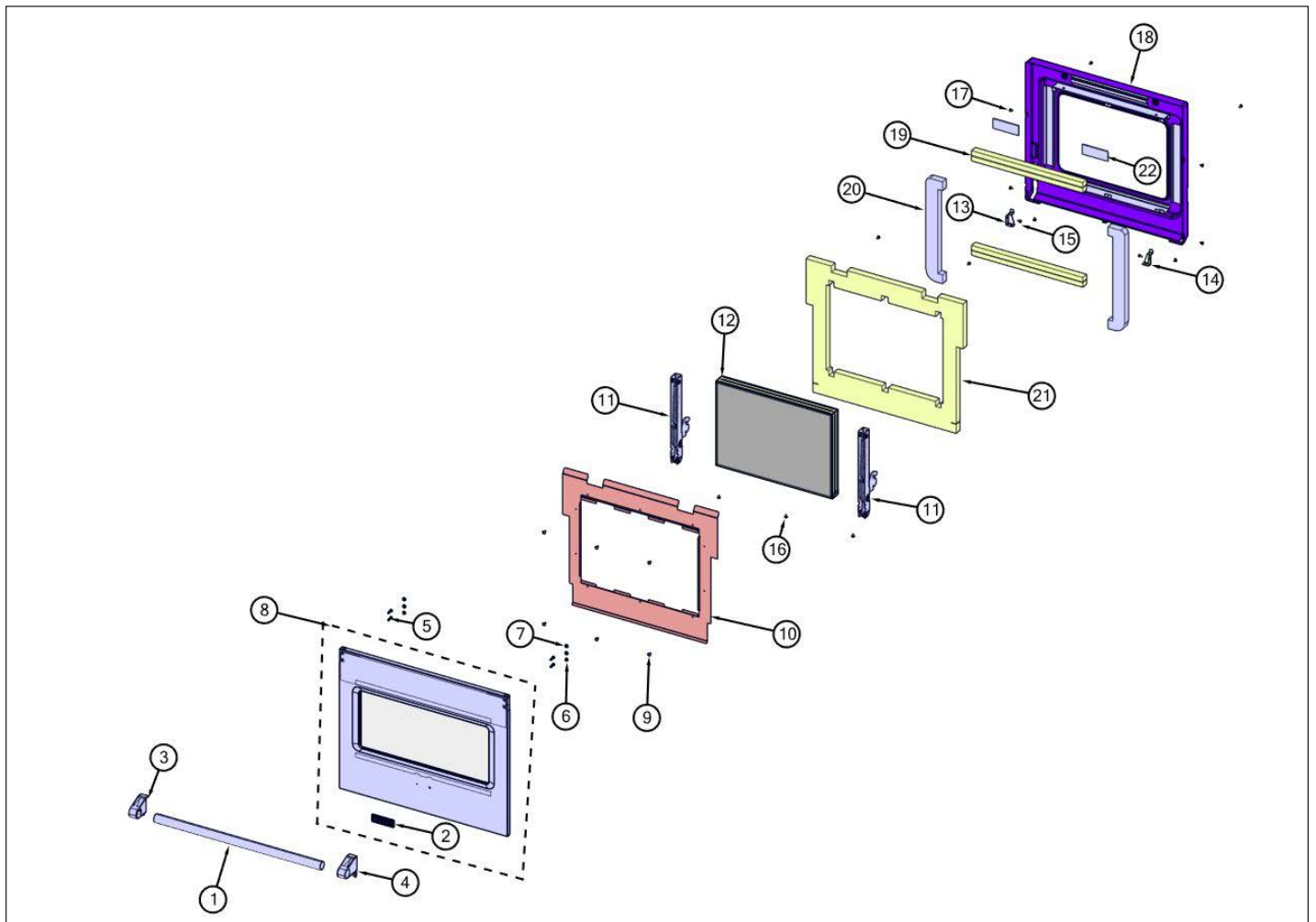
Control View





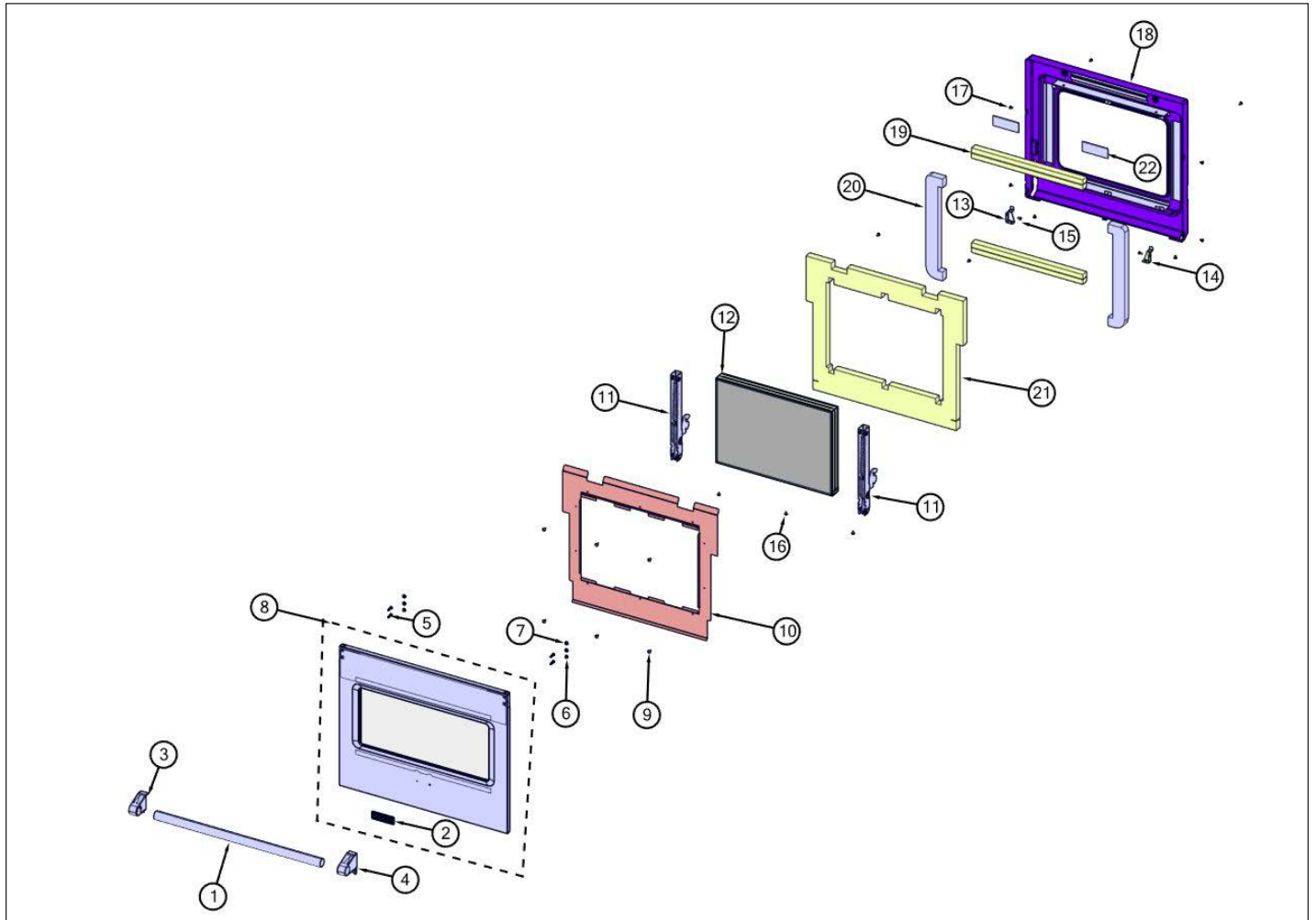
Item	Part No.	Name	Qty	Uom	NOTES
1	064101-2095	KNOB, WO, PRO ASSY, BLACK CHROME, W/GRAPHICS	2	EA	
2	PD020261	#8-32X1/2" PH PANHEAD MACH. SCREW	4	EA	
3	050172-000	BEZEL, KNOB	2	EA	
4	PA010093	DESIGNER OVEN LT SWITCH KNOB	1	EA	
5	015043-000	INDICATOR, LIGHT, BLUE LED	2	EA	
6	036441-000	KNOB BIT GEN CR3	1	EA	
7	069755-000	KNOB, SWITCH, TIMED, CR3	1	EA	
8	035979-2300	27" SNGL SELECT CTRL PANEL W/GRAPHICS	1	EA	
9	PD020032	SRW-8(A)X3/8"PH.WFR HD 7/16DIA*NICL	4	EA	
10	003083-000	#8-18 x 1/2" PHIL FLAT TOP TRUSS HD AB SCREW	4	EA	
11	025185-000	PANEL, CONTROL MOUNTING	1	EA	
12	025100-000	BRACKET, CLOCK, TKJ	2	EA	
13	PD020004	10X3/8PH.HD.TYPE 25 REPL PD040125	6	EA	
14	050261-000	BRACKET, SEL, DOUBLE	1	EA	
15	PJ030040	2 POSITION SELECTOR SWITCH	1	EA	
16	PJ030033	SELECTOR (10 POS)	1	EA	
17	PJ030035	THERMOSTAT	1	EA	
18	PE050140	ANALOG CLOCK 220V 50/60H	1	EA	
19	051443-000	LED VOLTAGE DROP JUMPER 240V	2	EA	
20	036575-000	MOUNT, SW, D3, LIGHT	1	EA	
21	G40015469	LIGHT SWITCH ASSEMBLY	1	EA	

Door View





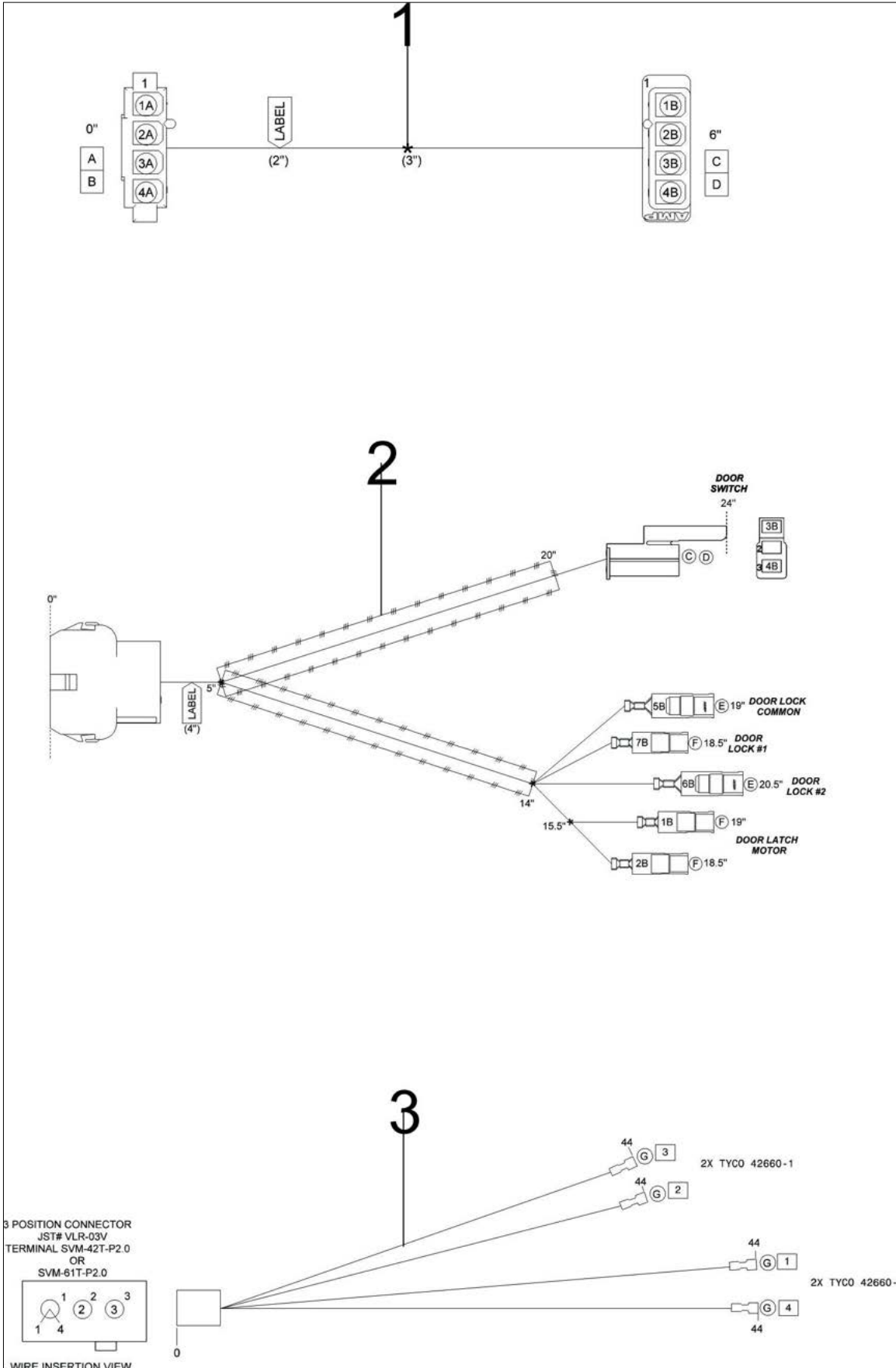
Item	Part No.	Name	Qty	Uom	NOTES
1	025167-000	HANDLE,DOOR,SST,27"	1	EA	
2	062341-000	NAMEPLATE, VIKING, 3.500", W/LOC PINS	1	EA	
3	025186-000	ENDCAP,DOOR HDL,ASM,LH	1	EA	
4	025187-000	ENDCAP,DOOR HDL,ASM,RH	1	EA	
5	030823-000	#10-32 PAN HEAD PHILLIPS MACHINE SCREW	4	EA	
6	PD020073	SRW #10 X 24 X 3/8 WAFER HD TYPE23	2	EA	
7	004907-000	STEEL FINISHING PLUG, NICKEL PLTD 25/64" HOLE	4	EA	
8	063317-000	DOOR, OS, KIT, ASM, W/LOGO, 27"	1	EA	
8	063576-002	DOOR, OS, KIT, ASM, W/LOGO, 27", DECARB BK	1	EA	
8	063576-005	DOOR, OS, KIT, ASM, W/LOGO, 27", DECARB GG	1	EA	
8	063576-006	DOOR, OS, KIT, ASM, W/LOGO, 27", DECARB WH	1	EA	
8	063576-008	DOOR, OS, KIT, ASM, W/LOGO, 27", DECARB BU	1	EA	
8	063576-013	DOOR, OS, KIT, ASM, W/LOGO, 27", DECARB CB	1	EA	
8	063576-024	DOOR, OS, KIT, ASM, W/LOGO, 27", DECARB AR	1	EA	
8	063576-2801	27" OS Door Asm w/logo - Kalamata Red (KA)	1	EA	
8	063576-2847	27" OS Door Asm w/logo - Blackforest Green (BF)	1	EA	
8	063576-6180	27" OS Door Asm w/logo - Cypress Green (CY)	1	EA	
8	063576-6258	27" OS Door Asm w/logo - Cast Black (CS)	1	EA	
8	063576-6421	27" OS Door Asm w/logo - Vanilla Cream (VC)	1	EA	
8	063576-6765	27" OS Door Asm w/logo - Bywater Blue (BW)	1	EA	
8	063576-6797	27" OS Door Asm w/logo - Alluvial Blue (AB)	1	EA	
8	063576-6871	27" OS Door Asm w/logo - San Marzano Red (SM)	1	EA	
8	063576-7024	27" OS Door Asm w/logo - Pacific Grey (PG)	1	EA	





Item	Part No.	Name	Qty	Uom	NOTES
8	063576-7070	27" OS Door Asm w/logo - Frost White (FW)	1	EA	
8	063576-7585	27" OS Door Asm w/logo - Reduction Red (RE)	1	EA	
8	063576-7652	27" OS Door Asm w/logo -Artic Grey (AG)	1	EA	
8	063576-7674	27" OS Door Asm w/logo - Damascus Grey (DG)	1	EA	
8	063576-9178	27" OS Door Asm w/logo - Slate Blue (SB)	1	EA	
9	pd020002	10 X 1/2 PH.TR.HD.SMS.	6	EA	
10	A20010949	PANEL, INSULATION, INNNER DOOR	1	EA	
11	023798-000	HINGE, MANSFIELD, WHITE	2	EA	
12	PE060093	27" WINDOW PACK	1	EA	
13	A20012641	HINGE SUPPORT LH	1	EA	
14	A20012640	HINGE SUPPORT RH	1	EA	
15	PD020004	10X3/8PH.HD.TYPE 25 REPL PD040125	4	EA	
16	PD020032	SRW-8(A)X3/8"PH.WFR HD 7/16DIA*NICL	3	EA	
17	PD020063	SCREW-#8(A) X 3/8"PH WFR HD/BK OXID	6	EA	
18	064153-402	LINER, DOOR, PORC, BLK, 27"	1	EA	
19	013594-000	27" WINDOW PACK INSULATION	4	EA	
20	013558-000	SIDE DOOR PLUG INSULATION	2	EA	
21	013596-000	27" DOOR INSULATION	1	EA	
22	013567-000	DOOR BRACKET INSULATION	2	EA	

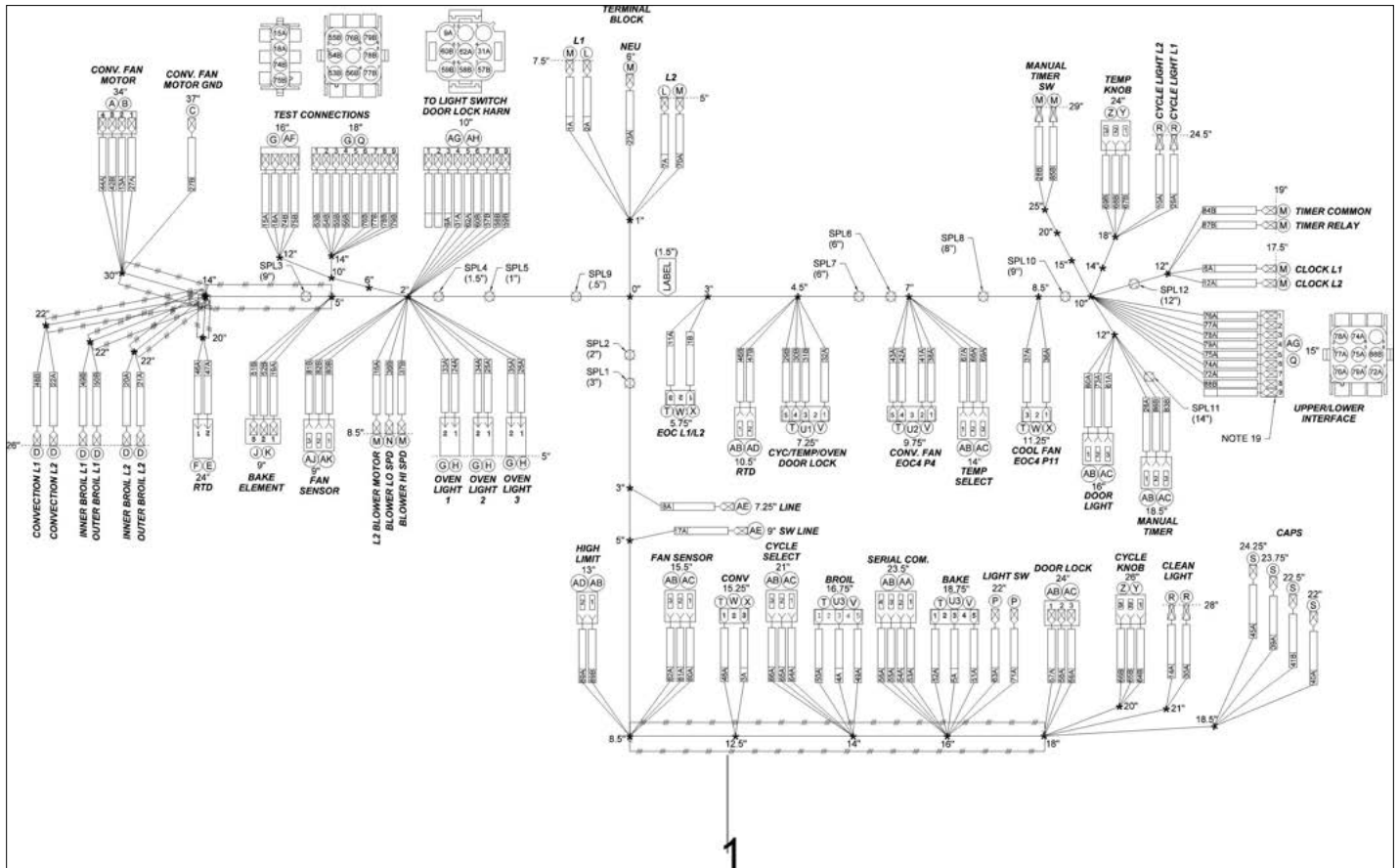
Wiring View





Item	Part No.	Name	Qty	Uom	NOTES
1	050081-000	HARN, JUMPER, ADAPT CONV FAN	1	EA	
2	058083-000	HARN, WALL OVEN, UPR, LATCH, PREMIERE	1	EA	
3	PE070739	BAKE ELEMENT HARNESS	1	EA	

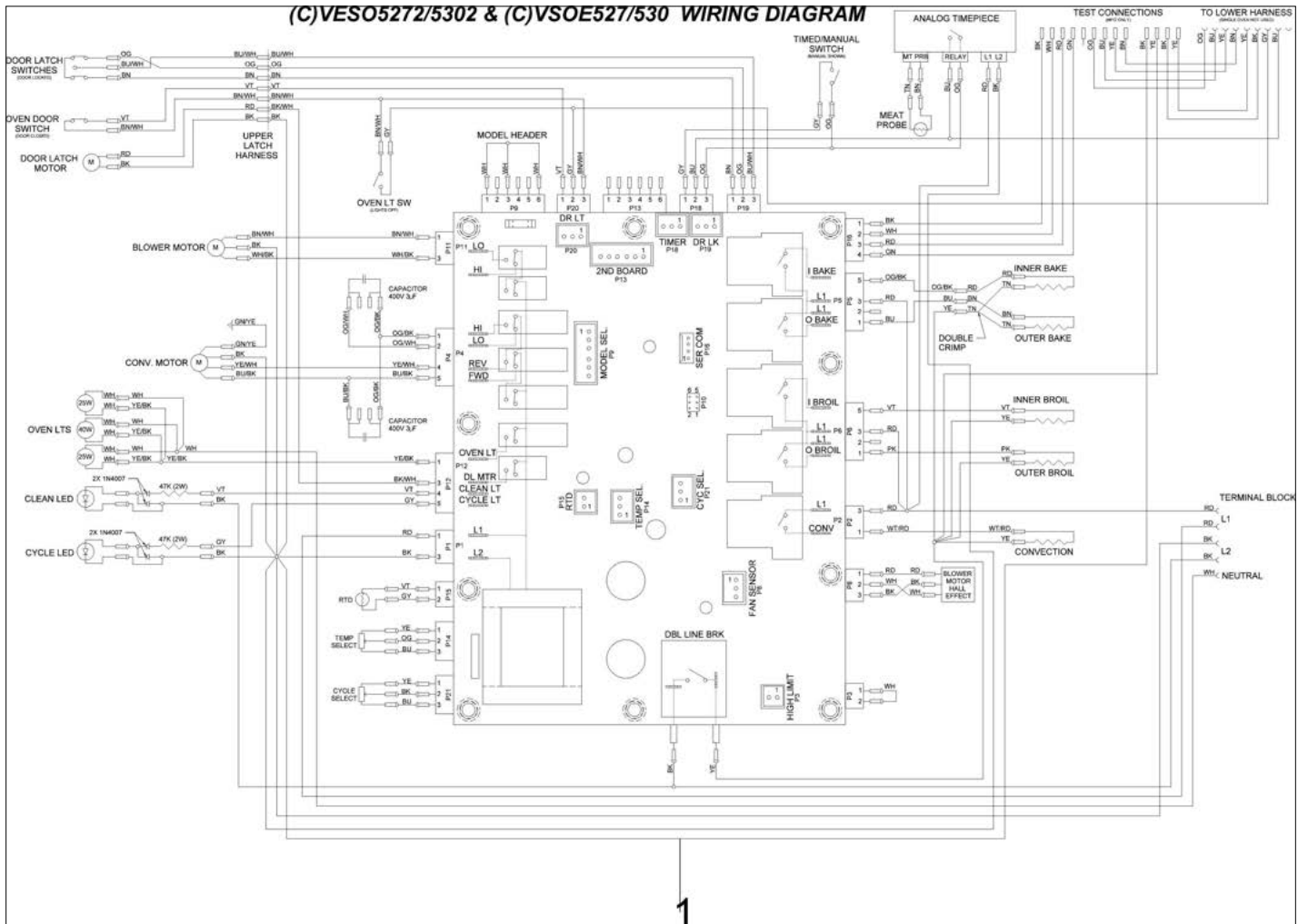
# Wire Harness View





Item	Part No.	Name	Qty	Uom	NOTES
1	057466-000	HARN, WALL OVEN, UPR, MAIN, EOC621	1	EA	

# Wiring Diagram View







Item	Part No.	Name	Qty	Uom	NOTES
1	057761-200	DIAG, W, VESO5272/5302, ADH	1	EA	



Appendix A:Pages Index

Cavity Exterior View ..... 1  
Control View ..... 5  
Decor View ..... 4  
Door View ..... 6  
Electrical View ..... 3  
Interior View ..... 2  
Wire Harness View ..... 8  
Wiring Diagram View ..... 9  
Wiring View ..... 7



Appendix B:Parts Index

000621-501	3	049635-000	4
003083-000	4, 5	049868-000	1
003860-000	1, 3, 4	050081-000	7
004907-000	6	050172-000	5
005311-000	3	050261-000	5
013547-000	1	051443-000	5
013558-000	6	051580-000	1
013564-000	4	051590-000	1
013567-000	6	052425-002	2
013594-000	6	052426-002	2
013596-000	6	053905-000	3
014143-000	4	057466-000	8
015043-000	5	057761-200	9
016021-000	2	058083-000	7
018607-000	3	058337-000	3
020403-000	3	058338-000	4
023798-000	6	062341-000	6
024254-000	2	063317-000	6
024255-000	2	063576-002	6
024264-000	2	063576-005	6
025100-000	5	063576-006	6
025167-000	6	063576-008	6
025185-000	5	063576-013	6
025186-000	6	063576-024	6
025187-000	6	063576-2801	6
025219-002	2	063576-2847	6
025221-000	4	063576-6180	6
025494-000	2	063576-6258	6
030823-000	6	063576-6421	6
032861-000	4	063576-6765	6
035979-2300	5	063576-6797	6
036441-000	5	063576-6871	6
036575-000	5	063576-7024	6
037304-000	1, 1	063576-7070	6
039293-000	3	063576-7585	6
040196-000	3	063576-7652	6
044044-000	3	063576-7674	6
044607-000	3	063576-9178	6
048347-000	3	064101-2095	5
048459-000	1	064153-402	6
		065887-000	2



065891-000	2	PD020261	5
065966-000	1	PE050114	3
066221-402	2	PE050115	3
066224-402	2	PE050140	5
066764-000	1	PE050206	3
066765-000	1	PE060093	6
066766-000	1	PE070147	3
069755-000	5	PE070734	3
074909-000	3	PE070735	3
A10010907	4	PE070739	7
A10014028	3	PJ010047	3
A20010931	1	PJ010049	3
A20010937	4	PJ030033	5
A20010949	6	PJ030035	5
A20012640	6	PJ030040	5
A20012641	6	PM010014	1
A20012649	4	a20010934	4
A20014021	3	a2009641	1
A20014047	4	a2009667	4
A20014052	4	a21010918	4
A2009666	4	a21010919	4
A2009671	4	c90014073BK	2
A2009697	1	g30010922	4
G32014020	3	pd020002	6
G40015469	5	pd020062	2
G91013597	1	pd020232	2
M0210443	2	pd030118	4
M0211021	3	pd030172	4
M0215318	2	pj010048	3
PA010093	5	pm010160	3
PB020275	1		
PC020221	2		
PC020247	2		
PD020004	5, 6		
PD020010	3		
PD020013	3		
PD020032	2, 5, 6		
PD020055	3		
PD020061	1		
PD020063	6		
PD020073	6		