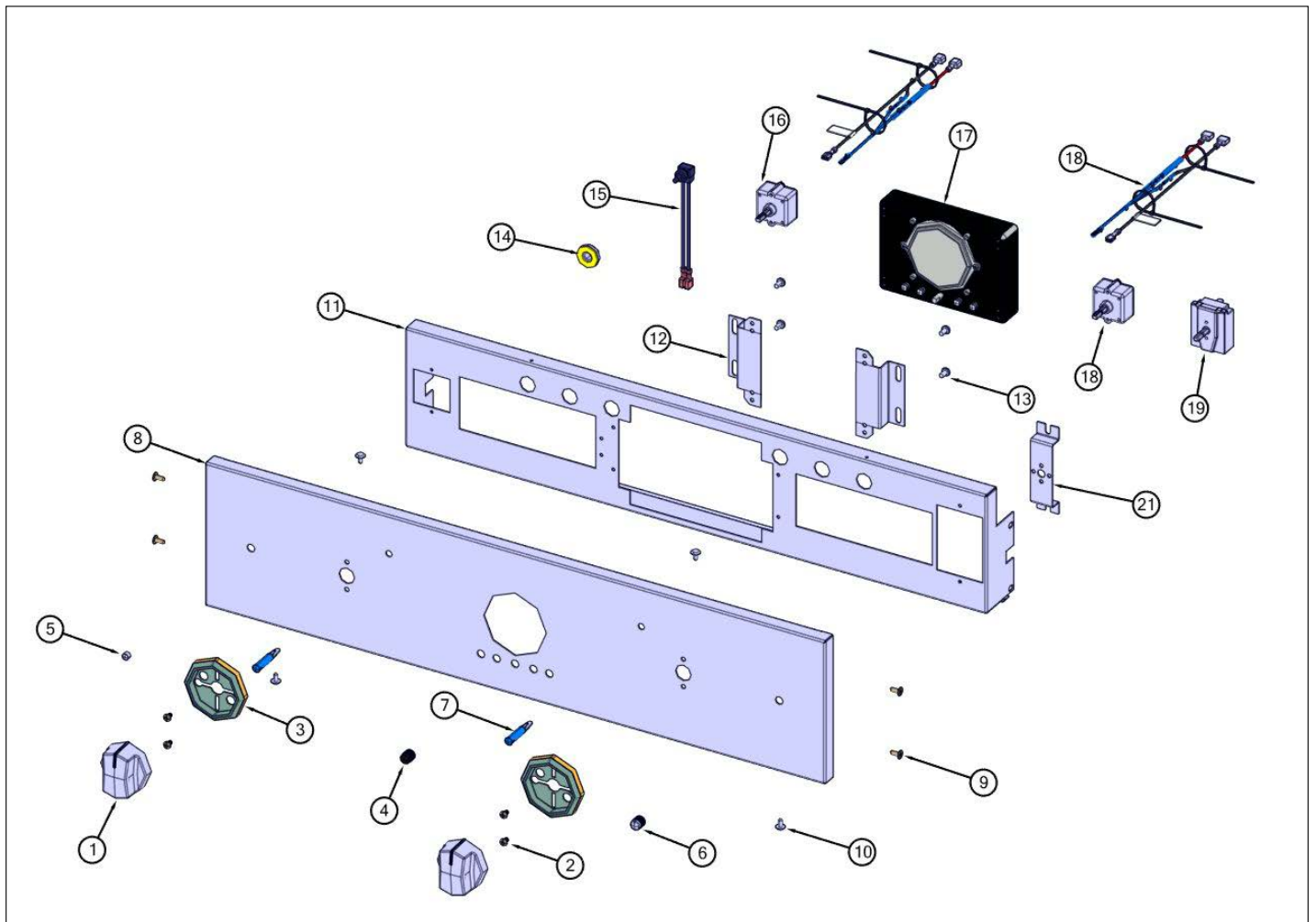


VSOE530SS

Control View	1
Chassis View	2
Cavity View	3
Decor View	4
Electrical View	5
Door View	6
Wiring View	7
Wiring Harness View	8
Wiring Diagram View	9
Appendix A:Pages Index	A
Appendix B:Parts Index	B

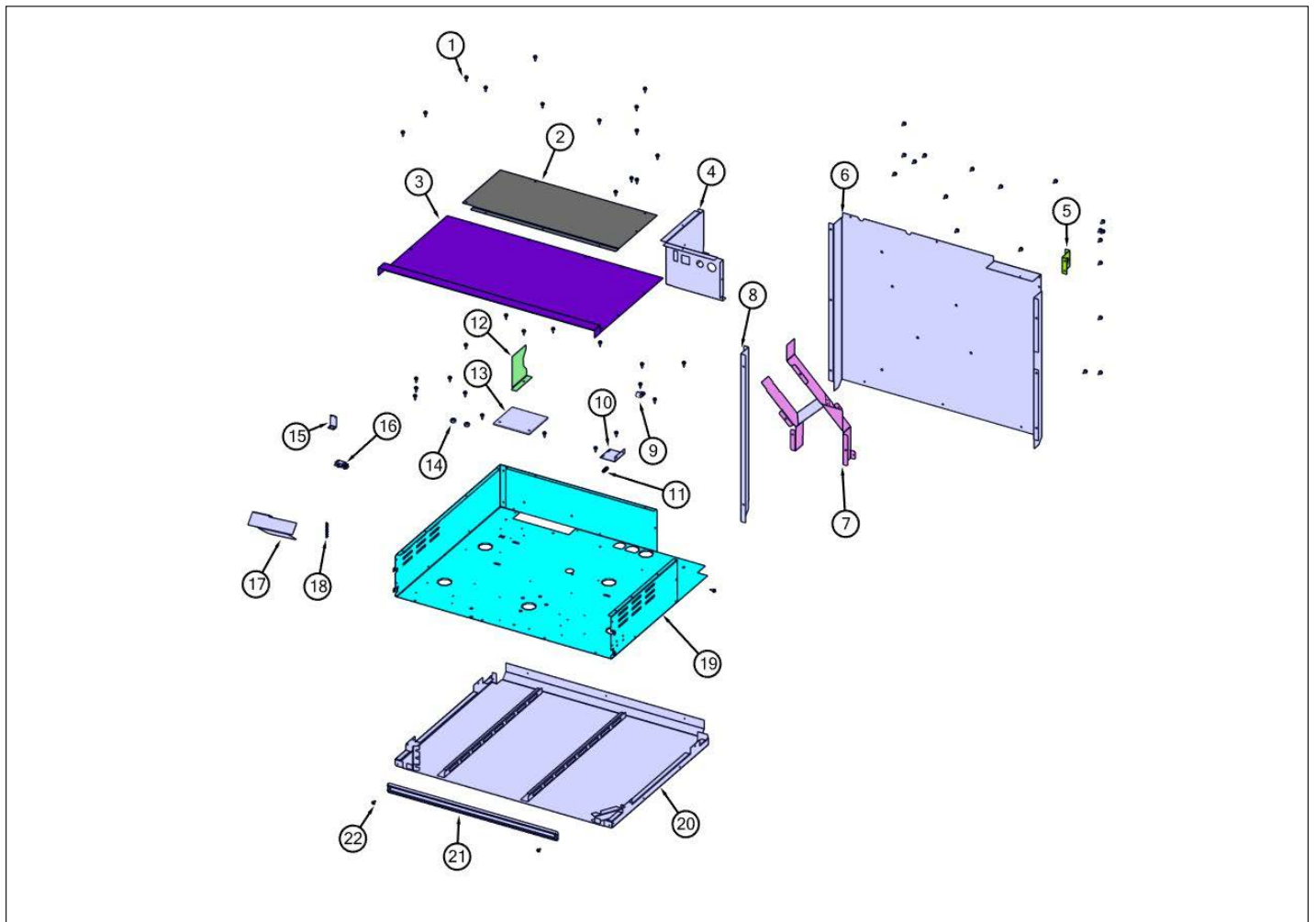
Control View





Item	Part No.	Name	Qty	Uom	NOTES
1	064101-2095	KNOB, WO, PRO ASSY, BLACK CHROME, W/GRAPHICS	2	EA	
2	PD020269	#8 PAN HEAD SCREW	4	EA	
3	050172-000	BEZEL, KNOB	2	EA	
4	036441-000	KNOB BIT GEN CR3	1	EA	
5	PA010093	DESIGNER OVEN LT SWITCH KNOB	1	EA	
6	069755-000	KNOB, SWITCH, TIMED, CR3	1	EA	
7	015043-000	INDICATOR, LIGHT, BLUE LED	2	EA	
8	035975-2296	PNL,CTRL,ASM W/GRAPHICS,SINGLE TIMEPIECE 30"	1	EA	
9	003083-000	#8-18 x 1/2" PHIL FLAT TOP TRUSS HD AB SCREW	4	EA	
10	PD020032	SRW-8(A)X3/8"PH.WFR HD 7/16DIA*NICL	4	EA	
11	024774-000	PANEL, CONTROL MOUNTING	1	EA	
12	025100-000	BRACKET, CLOCK, TKJ	2	EA	
13	PD020004	10X3/8PH.HD.TYPE 25 REPL PD040125	4	EA	
14	036576-000	LIGHT SWITCH ASM	1	EA	
15	G40015469	LIGHT SWITCH ASSEMBLY	1	EA	
16	pj030033	SELECTOR (10 POS)	1	EA	
17	PE050140	ANALOG CLOCK 220V 50/60H	1	EA	
18	pj030035	THERMOSTAT	1	EA	
19	pj030040	2 POSITION SELECTOR SWITCH	1	EA	
20	051443-000	LED VOLTAGE DROP JUMPER 240V	2	EA	
21	050261-000	BRACKET, SEL, DOUBLE	1	EA	

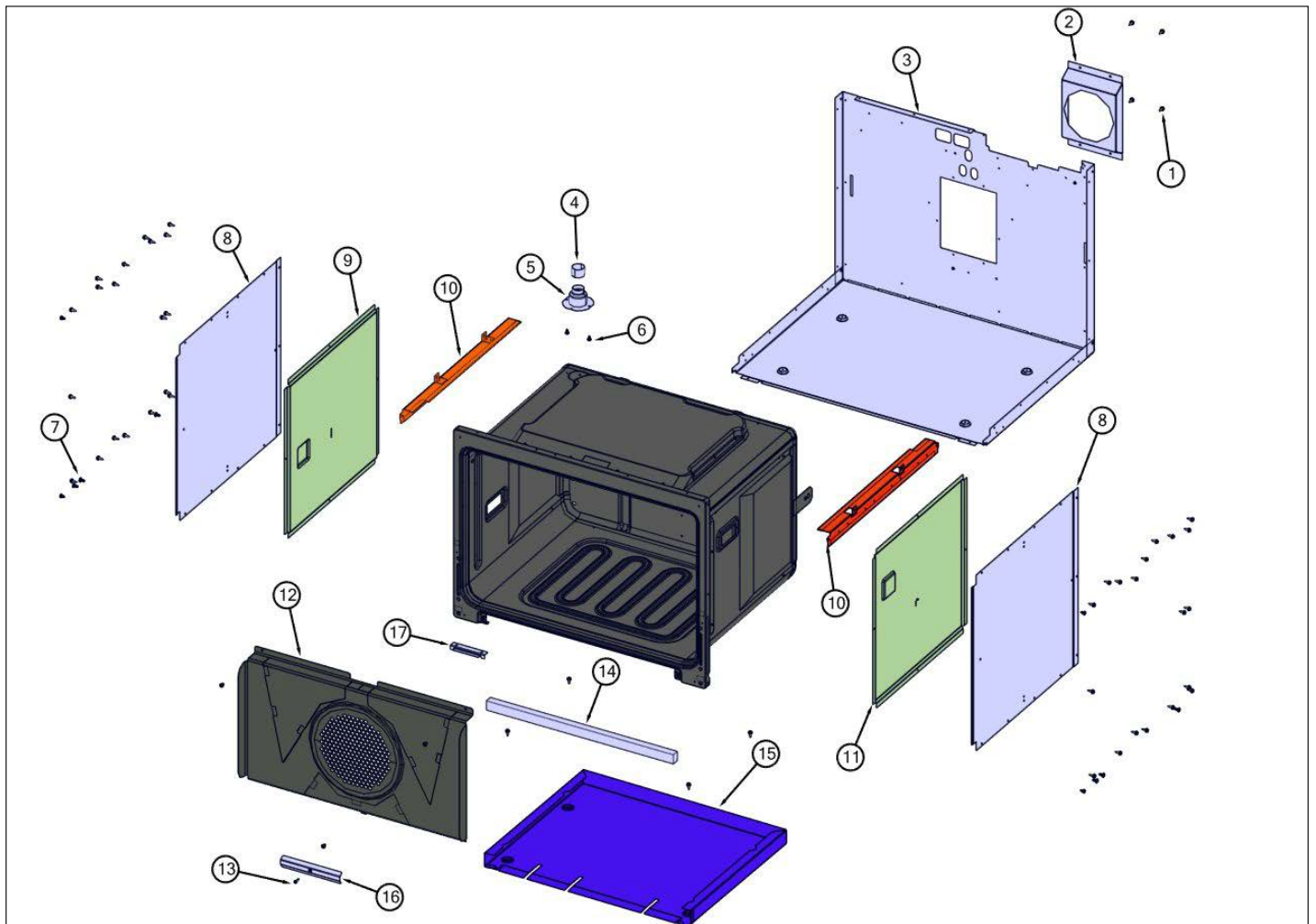
Chassis View





Item	Part No.	Name	Qty	Uom	NOTES
1	003860-000	10-18 x .500 FASTNR,SCR,HXWH,STL,ZPLT	65	EA	
2	A20014049	30" REAR COVER	1	EA	
3	025057-000	PANEL,CVR, TOP, FR, 30"	1	EA	
4	a20010934	BRACKET, MODULE PAN	1	EA	
5	A2009671	BRACKET, POWER CABLE	1	EA	
6	A2009640	PANEL, REAR 30"	1	EA	
7	049667-000	DUCT, AIR, WALL OVEN	1	EA	
8	A2009666	AIR CHANNEL	1	EA	
9	pd030118	INSULATED CLAMP	1	EA	
10	A20012649	DOOR SWITCH BRACKET	1	EA	
11	044044-000	GROMMET, SWITCH, DOOR, RBR	1	EA	
12	a2009667	REAR AIR DIVIDER	1	EA	
13	013564-000	LOWER LATCH INSULATION	1	EA	
14	pd030172	M8 X 1.25MM NUT	2	EA	
15	A20014089	DISC BRACKET	1	EA	
16	049187-000	FASTENER, W, PLSC	1	EA	
17	A20014052	WIRE SHIELD	1	EA	
18	PD040132	SPRING-FAST GROMMET EDGING	0.083ft	EA	
19	058336-000	TOP, WO, 30"	1	EA	
20	G3009694	BASE MODULE ASSY 30"	1	EA	
21	032861-000	COVER, BAKE TRAY, BK PORC	1	EA	
22	003083-000	#8-18 x 1/2" PHIL FLAT TOP TRUSS HD AB SCREW	2	EA	

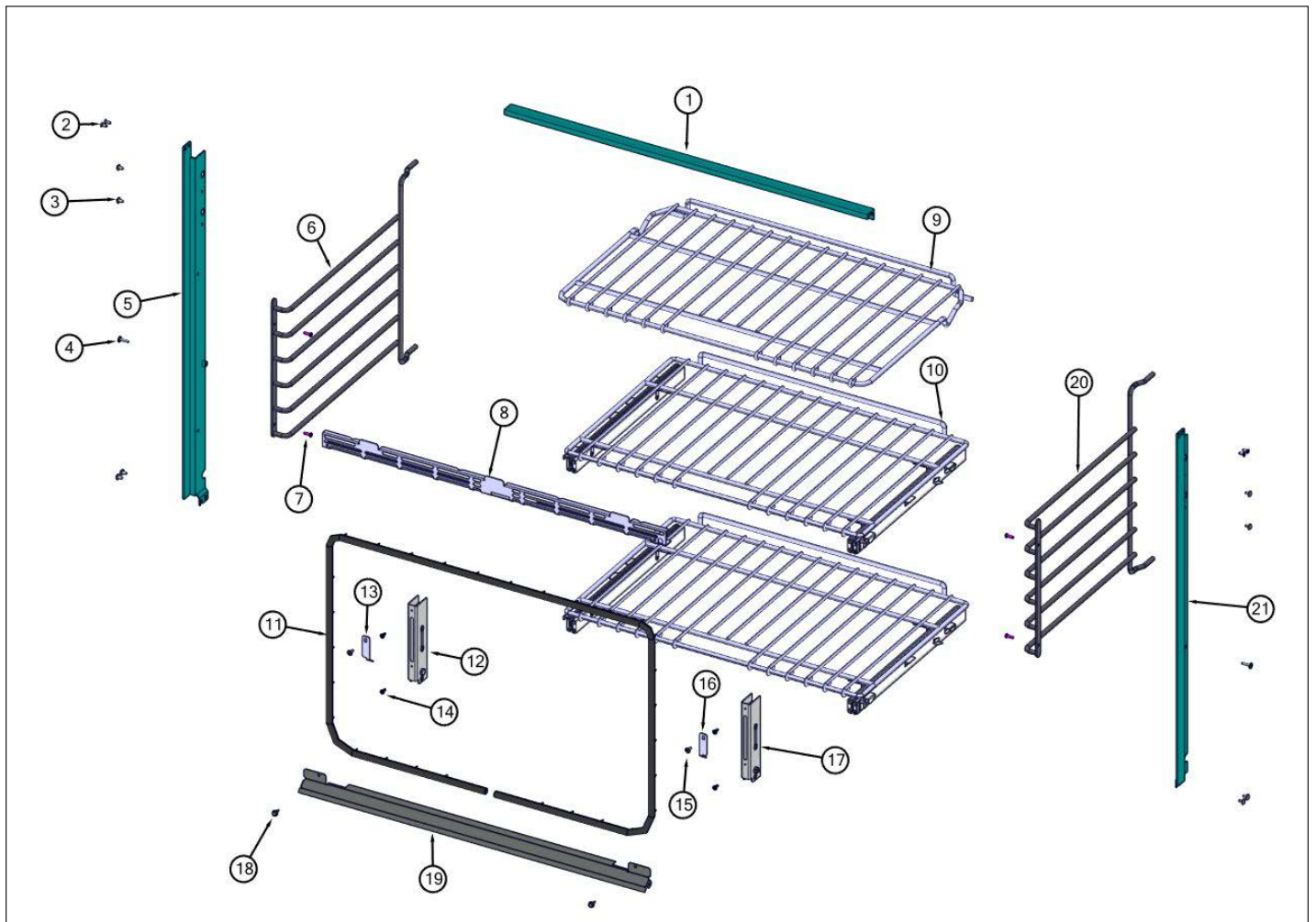
Cavity View





Item	Part No.	Name	Qty	Uom	NOTES
1	003860-000	10-18 x .500 FASTNR,SCR,HXWH,STL,ZPLT	46	EA	
2	a2009697	BRACKET, CONVECTION INSULATION	1	EA	
3	A2009620	BASE, BACK WRAPPER	1	EA	
4	PB020275	VENT TUBE	1	EA	
5	PM010014	SMOKE ELIMINATOR (VDSC)	1	EA	
6	037304-000	FASTENER, PNH, TORX, AB, PSVD, WAX	11	EA	
7	014143-000	SCR 10-12 A SHLD TRP 1/2 S ZN BLUE	6	EA	
8	066764-000	WRAPPER, OVEN, SIDE	2	EA	
9	066766-000	RETAINER, INSL, LHS	1	EA	
10	a2009641	BRKT, TOP WRAPPER	2	EA	
11	066765-000	RETAINER, INSL, RHS	1	EA	
12	032857-402	BAFFLE, CNVN, ASM, D3 BLACK	1	EA	
13	PD020061	' #8 X 3/4 FLAT HD TEK. *SS*	1	EA	
14	013547-000	BAKE ELEMENT INSULATION	1	EA	
15	066114-000	TRAY, ELEMENT, MTG, 30"	1	EA	
16	051580-000	BRACKET, GASKET	1	EA	
17	025067-000	BRACKET, TOUCH	1	EA	
NI	048457-000	INSULATION KIT #10	1	EA	
NI	048458-000	INSULATION KIT #2	1	EA	

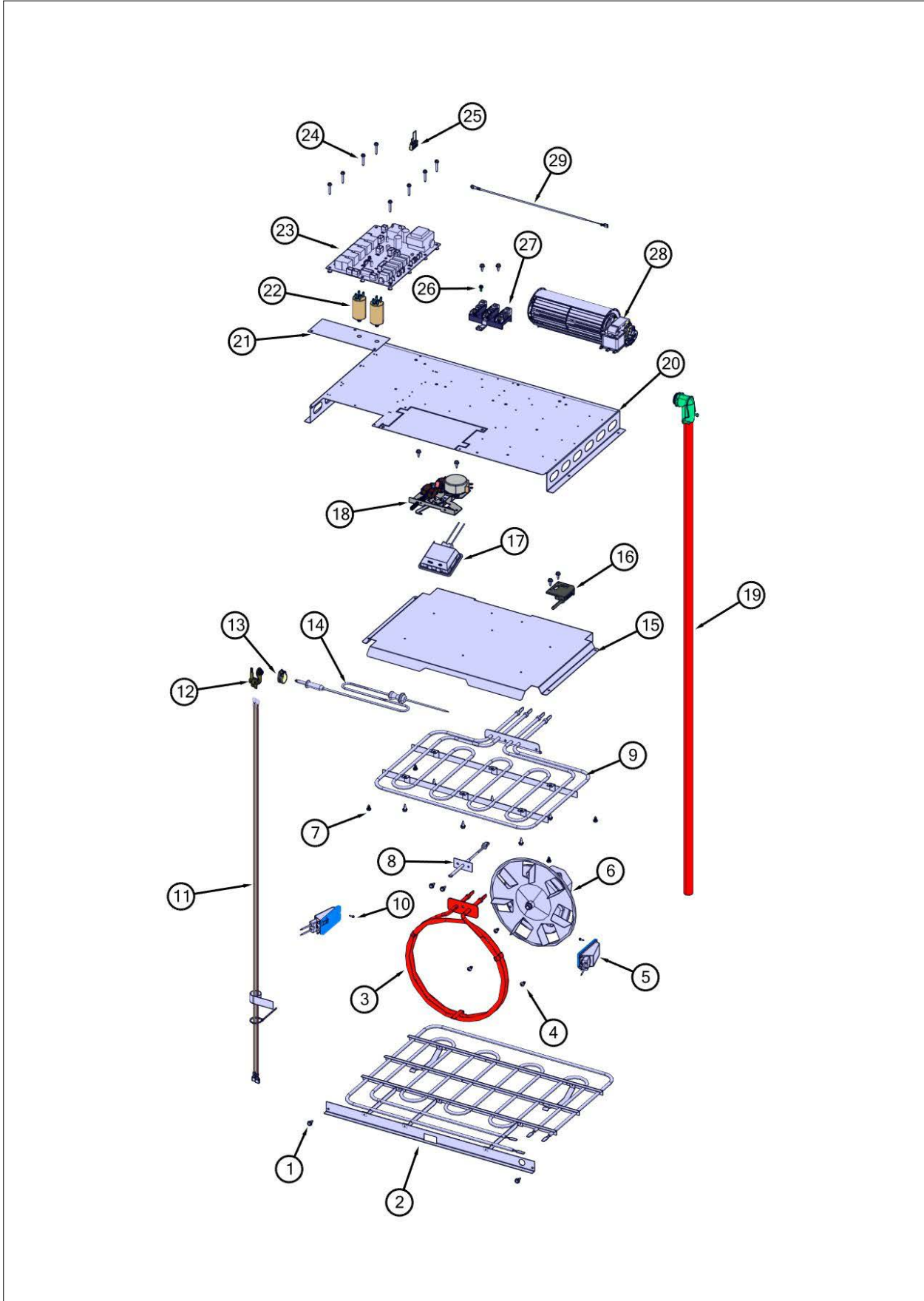
Decor View



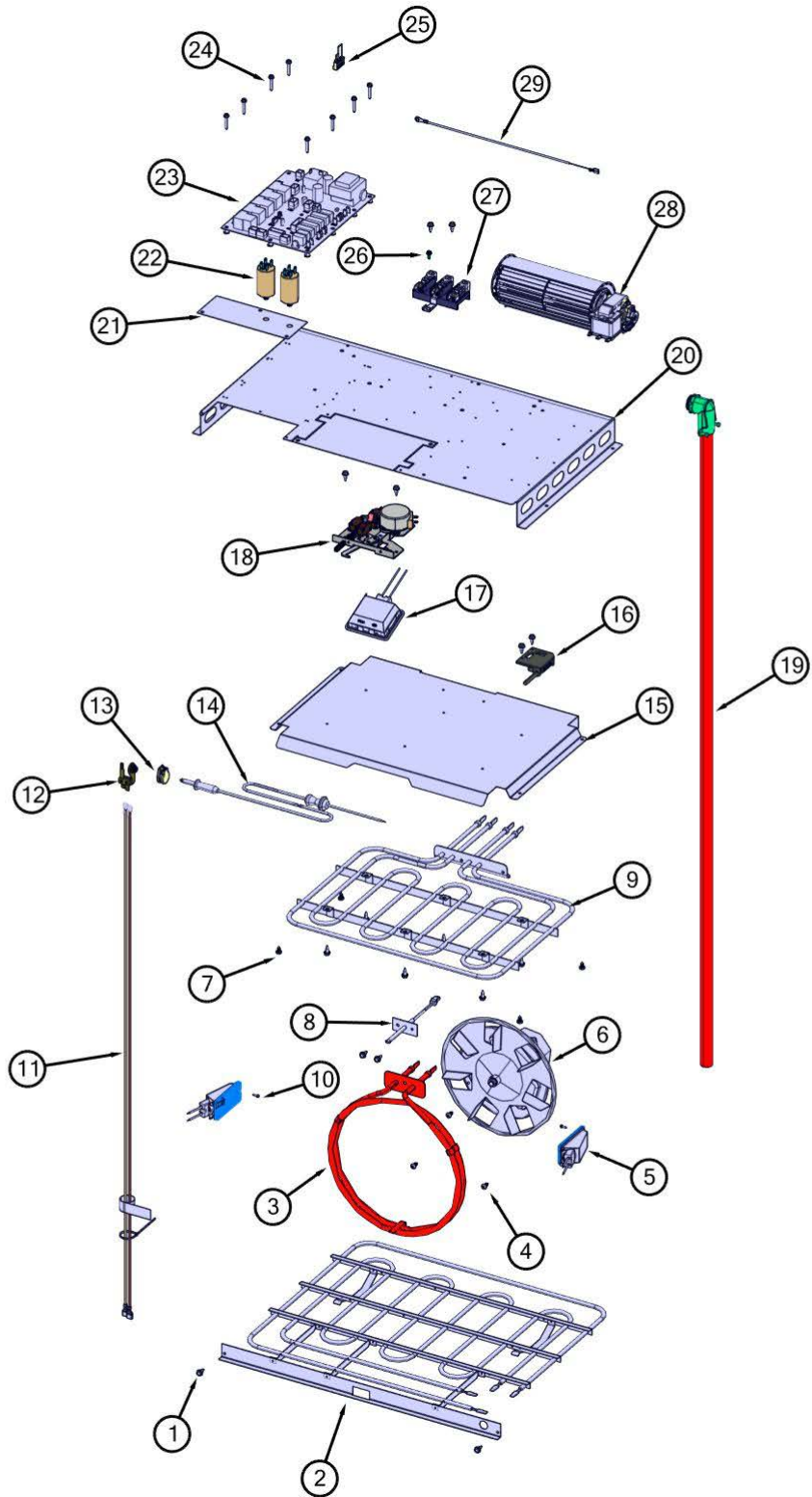


Item	Part No.	Name	Qty	Uom	NOTES
1	024253-000	TRIM, TOP, 30"	1	EA	
2	M0215318	SCREW-SM	4	EA	
3	PD020032	SRW-8(A)X3/8"PH.WFR HD 7/16DIA*NICL	4	EA	
4	025494-000	SCR, PHLP, TRH, SLF-DLNG, #8-18x3/4"	2	EA	
5	024255-000	TRIM,EXTD,LH, SGL	1	EA	
6	066479-402	SUPPORT, RACK, LHS, PORCELAIN	1	EA	
7	PD020261	#8-32X1/2" PH PANHEAD MACH. SCREW	4	EA	
8	055041-402	INLET GRILL, 30"- BK	1	EA	
9	065847-000	RACK, DF, PRO, 30" W/HDL	1	EA	
10	065947-000	RACK, GLIDE, WO, 30" W/HDL	2	EA	
11	051590-000	GASKET, LINER, DF, ASM, 30"	1	EA	
12	PC020221	HINGE POCKET RECEIVER MANSFIELD RH	1	EA	
13	052426-002	RETAINER, HINGE, LH, BK	1	EA	
14	pd020062	#8-32 X 3/8 PHMS TYPE 1	4	EA	
15	M0210443	SCREW-E SM VM0210443	2	EA	
16	052425-002	RETAINER, HINGE, RH, BK	1	EA	
17	PC020247	HINGE POCKET RECEIVER MANSFIELD LH	1	EA	
18	003860-000	10-18 x .500 FASTNR,SCR,HXWH,STL,ZPLT	19	EA	
19	025063-002	VENT, DFTR, 30"	1	EA	
20	066478-402	SUPPORT, RACK, RHS, PORCELAIN	1	EA	
21	024254-000	TRIM,EXTD,RH, SGL	1	EA	

Electrical View



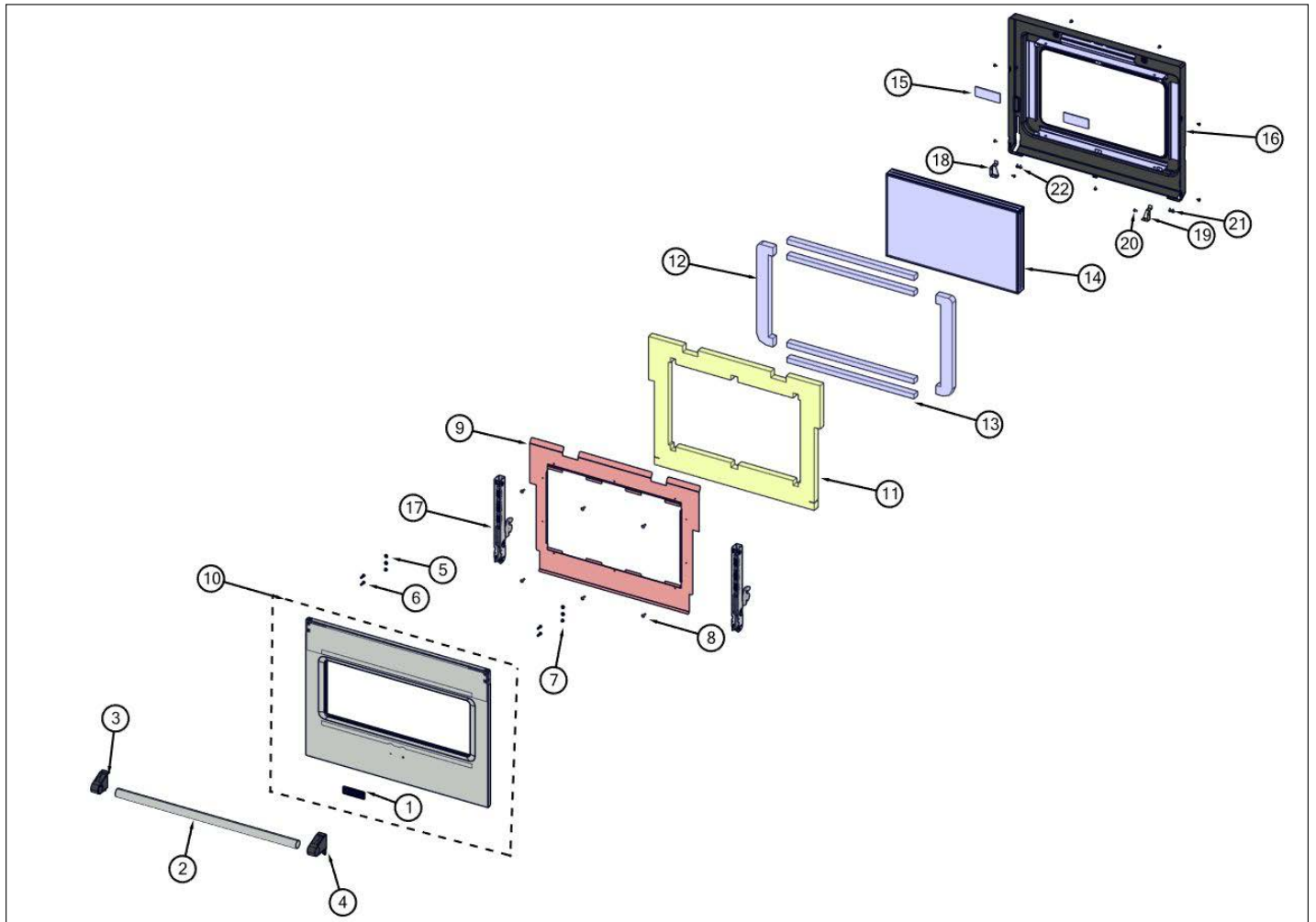
Item	Part No.	Name	Qty	Uom	NOTES
1	003860-000	10-18 x .500 FASTNR,SCR,HXWH,STL,ZPLT	2	EA	
2	pj010048	BAKE ELEMENT	1	EA	
3	PJ010047	CONVECTION ELEMENT	1	EA	
4	PD020055	' #10 X 1/2" PAN PHIL. TEK.*SS*	3	EA	
5	068653-601	LIGHT, 120V/25W, G9, HALOGEN, SIDE (REPLACEMENT BULB USE 074235-000)	2	EA	
6	G32014020	CONVECTION FAN ASSY	1	EA	
7	037304-000	FASTENER, PNH, TORX, AB, PSVD, WAX	4	EA	
8	PE050206	RTD THERMOSTAT PROBE	1	EA	
9	PJ010049	BROIL ELEMENT	1	EA	
10	PD020013	TYPE "AB" #6 X 3/8 PH PAN HD. SMS	2	EA	
11	PE070735	MEAT PROBE HARNESS	1	EA	
12	PE050115	MEAT PROBE JACK (SWITCHCRAFT'S PART# 3J1505)	1	EA	
Comments for Part Num. PE050115 bradleysapplianceservice@shaw.ca on May 8, 2017 Meat probe is not illustrated on Parts Break Down. PE050114 MEAT PROBE					
13	PM010160	MEAT PROBE JACK COVER (SWITCHCRAFT'S PART# 2C1098)	1	EA	
14	PE050114	MEAT PROBE (DESO/DEDO) (SWITCHCRAFT'S PART # 4C7919)	1	EA	
15	A20014021	REFLECTOR, BROIL	1	EA	
16	048347-000	SWITCH, SPDT, DOOR, STRAIGHT TABS	1	EA	
17	020403-000	BJB SLIMLINE 40W BULB	1	EA	
18	039293-000	LATCH, ELEC, 240V, ASSY	1	EA	
19	040196-000	CONDUIT, ELECTRICAL CORD, 48"	1	EA	
20	A2009672	ELECTRONICS HAT	1	EA	
21	A10014028	2 CAPACITOR BRACKET	1	EA	





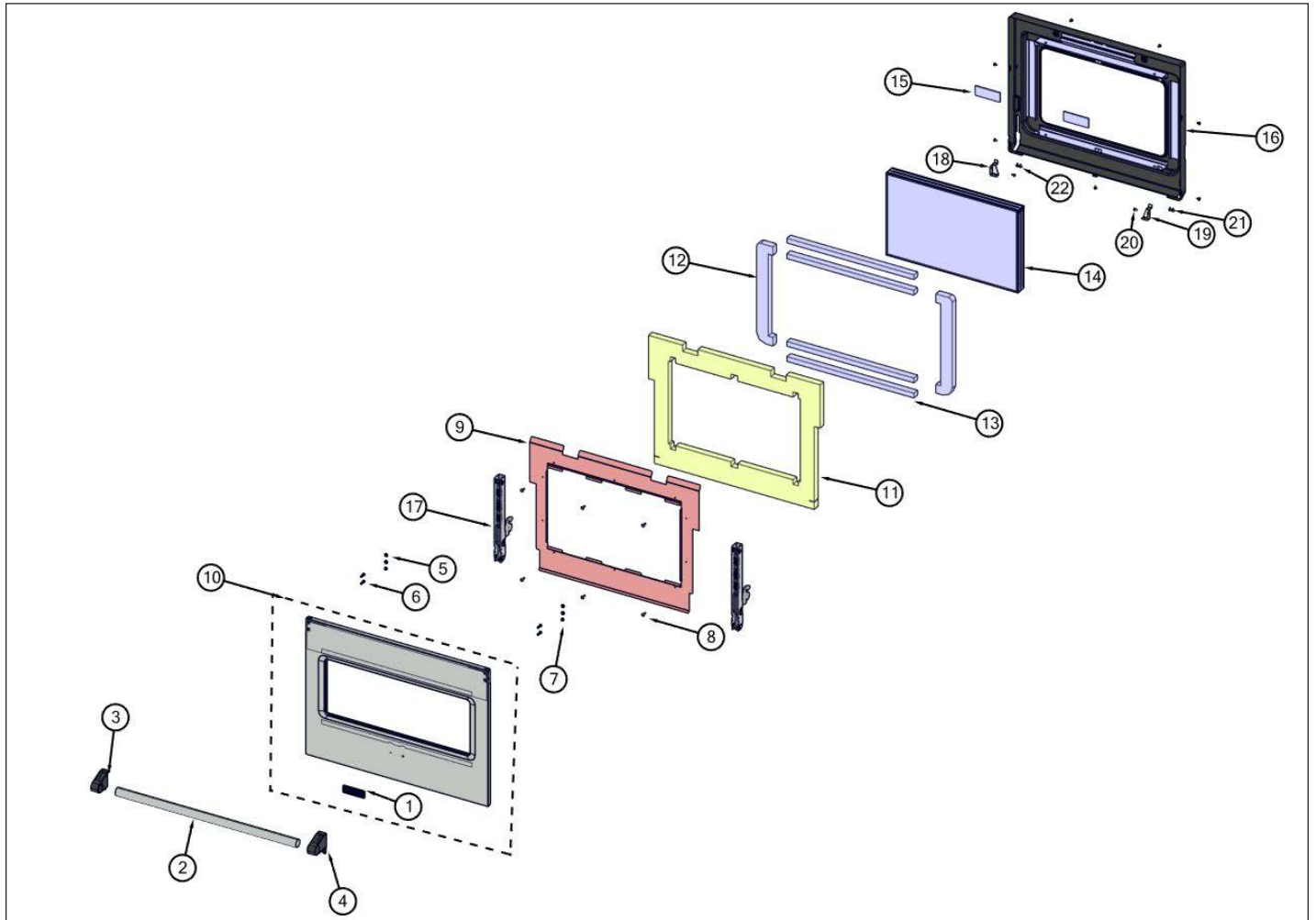
Item	Part No.	Name	Qty	Uom	NOTES
Comments for Part Num. A10014028					
service@priorityappliance.com on Jan 17, 2019					
The capacitors are part # 036047-000, found by looking up a VEDO130. Confirmed - they're the same capacitor.					
22	053905-000	CAPACITOR, MOTOR, 3uF	2	EA	
23	000621-501	CONTROL, EOC4, V201-V206 & FAMILY	1	EA	
24	M0211021	SCREW-SM	8	EA	
25	PE070734	HARN, HEADER, MODEL 14 (SEE (MODEL_HEADER))	1	EA	
26	PD020010	10 X 3/8 GREEN GROUNDING SCREW	1	EA	
27	PE070147	TERMINAL BLOCK (VDSC)	1	EA	
28	018607-000	FAN, BLO, 220-240V 50/60Hz ASM (MT1664)	1	EA	
29	044607-000	WIRE, GROUND	1	EA	

Door View





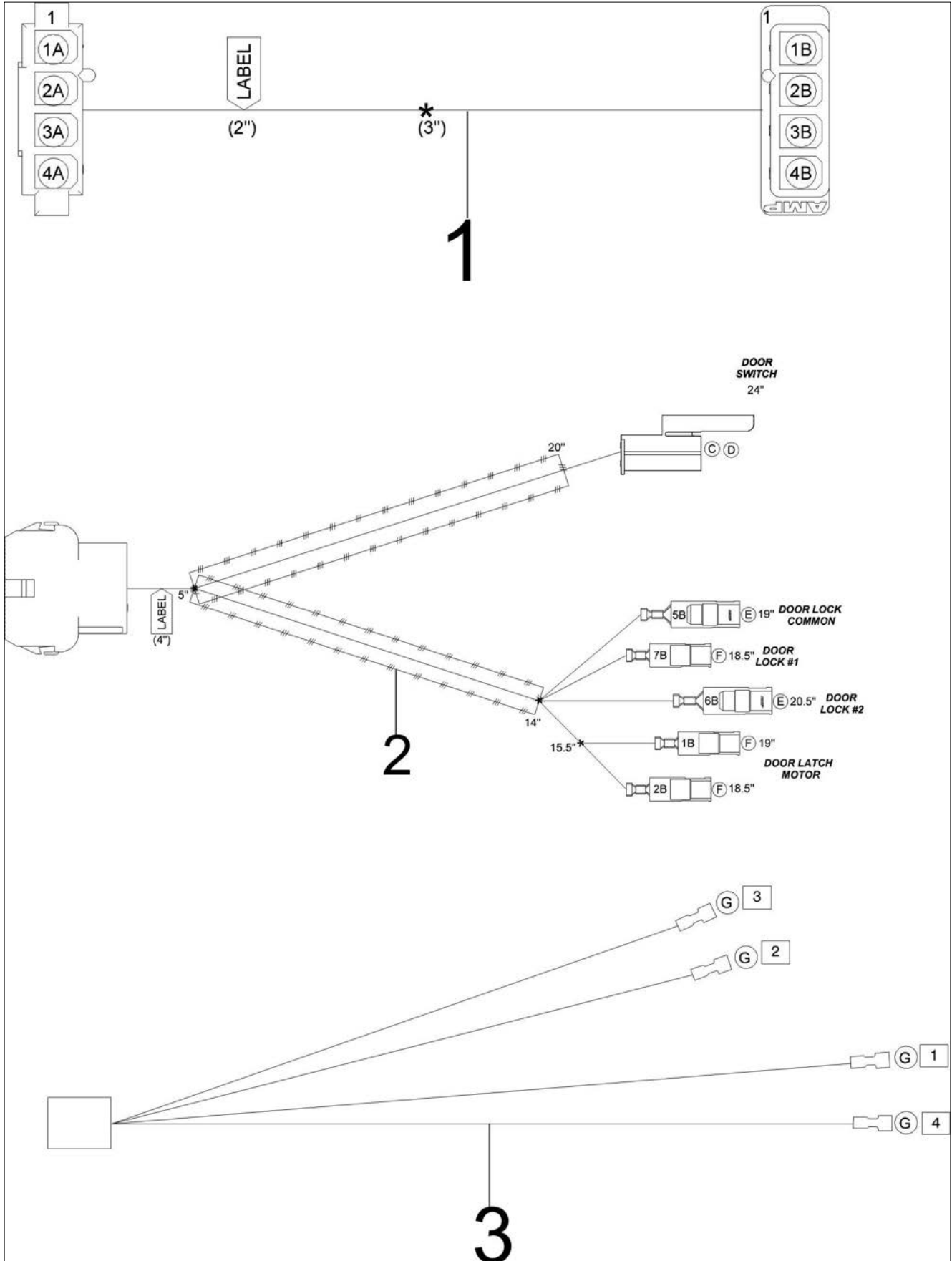
Item	Part No.	Name	Qty	Uom	NOTES
1	062341-000	NAMEPLATE, VIKING, 3.500", W/LOC PINS	1	EA	
2	023998-000	HANDLE DOOR 30" 29.126	1	EA	
3	025186-000	ENDCAP, DOOR HDL, ASM, LH	1	EA	
4	025187-000	ENDCAP, DOOR HDL, ASM, RH	1	EA	
5	004907-000	STEEL FINISHING PLUG, NICKEL PLTD 25/64" HOLE	4	EA	
6	030823-000	#10-32 PAN HEAD PHILLIPS MACHINE SCREW	4	EA	
7	pd020073	SRW #10 X 24 X 3/8 WAFER HD TYPE23	2	EA	
8	PD020014	10X3/4 PH TR HD SMS	6	EA	
9	A2009632	PANEL, INULATION, INNER DOOR	1	EA	
10	063296-000	DOOR, OS, KIT, ASM, W/LOGO, 30"	1	EA	
10	063580-002	DOOR, OS, KIT, ASM, W/LOGO, 30", DECARB BK	1	EA	
10	063580-005	DOOR, OS, KIT, ASM, W/LOGO, 30", DECARB GG	1	EA	
10	063580-006	DOOR, OS, KIT, ASM, W/LOGO, 30", DECARB WH	1	EA	
10	063580-008	DOOR, OS, KIT, ASM, W/LOGO, 30", DECARB BU	1	EA	
10	063580-013	DOOR, OS, KIT, ASM, W/LOGO, 30", DECARB CB	1	EA	
10	063580-024	DOOR, OS, KIT, ASM, W/LOGO, 30", DECARB AR	1	EA	
10	063580-057	DOOR, OS, KIT, ASM, W/LOGO, 30", DECARB AW	1	EA	
10	063580-2801	DOOR, OS, KIT, ASM, W/LOGO, 30", DECARB Kalamata Red (KA)	1	EA	
10	063580-2847	DOOR, OS, KIT, ASM, W/LOGO, 30", DECARB Blackforest Green (BF)	1	EA	
10	063580-6180	DOOR, OS, KIT, ASM, W/LOGO, 30", DECARB Cypress Green (CY)	1	EA	
10	063580-6258	DOOR, OS, KIT, ASM, W/LOGO, 30", DECARB Cast Black (CS)	1	EA	
10	063580-6421	DOOR, OS, KIT, ASM, W/LOGO, 30", DECARB Vanilla Cream (VC)	1	EA	





Item	Part No.	Name	Qty	Uom	NOTES
10	063580-6765	DOOR, OS, KIT, ASM, W/LOGO, 30", DECARB Bywater Blue (BW)	1	EA	
10	063580-6797	DOOR, OS, KIT, ASM, W/LOGO, 30", DECARB Alluvial Blue (AB)	1	EA	
10	063580-6871	DOOR, OS, KIT, ASM, W/LOGO, 30", DECARB San Marzano Red (SM)	1	EA	
10	063580-7024	DOOR, OS, KIT, ASM, W/LOGO, 30", DECARB Pacific Grey (PG)	1	EA	
10	063580-7070	DOOR, OS, KIT, ASM, W/LOGO, 30", DECARB Frost White (FW)	1	EA	
10	063580-7585	DOOR, OS, KIT, ASM, W/LOGO, 30", DECARB Reduction Red (RE)	1	EA	
10	063580-7652	DOOR, OS, KIT, ASM, W/LOGO, 30", DECARB Artic Grey (AG)	1	EA	
10	063580-7674	DOOR, OS, KIT, ASM, W/LOGO, 30", DECARB Damascus Grey (DG)	1	EA	
10	063580-9178	DOOR, OS, KIT, ASM, W/LOGO, 30", DECARB Slate Blue (SB)	1	EA	
11	013543-000	30" DOOR INSULATION	1	EA	
12	013558-000	SIDE DOOR PLUG INSULATION	2	EA	
13	013547-000	BAKE ELEMENT INSULATION	4	EA	
14	PE060094	30" WINDOW PACK	1	EA	
15	013567-000	DOOR BRACKET INSULATION	2	EA	
16	050694-000	LINER, DOOR, PORC BLK	1	EA	
17	023799-000	HINGE, MANSFIELD, RED	2	EA	
18	A20012641	HINGE SUPPORT LH	1	EA	
19	A20012640	HINGE SUPPORT RH	1	EA	
20	PD020004	10X3/8PH.HD.TYPE 25 REPL PD040125	2	EA	
21	PD020063	SCREW-#8(A) X 3/8"PH WFR HD/BK OXID	6	EA	
22	PD020032	SRW-8(A)X3/8"PH.WFR HD 7/16DIA*NICL	2	EA	

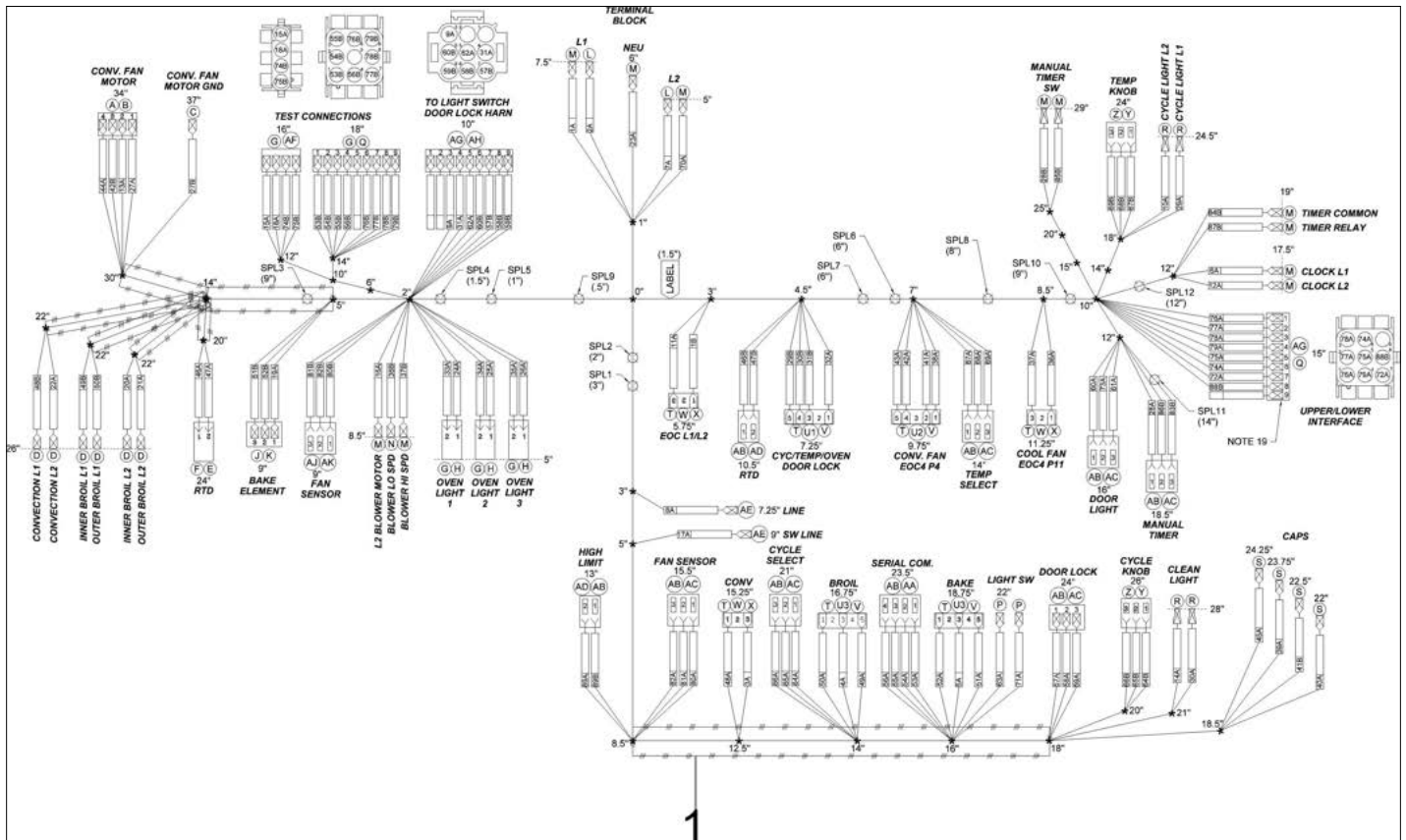
Wiring View





Item	Part No.	Name	Qty	Uom	NOTES
1	050081-000	HARN, JUMPER, ADAPT CONV FAN	1	EA	
2	058083-000	HARN, WALL OVEN, UPR, LATCH, PREMIERE	1	EA	
3	PE070739	BAKE ELEMENT HARNESS	1	EA	

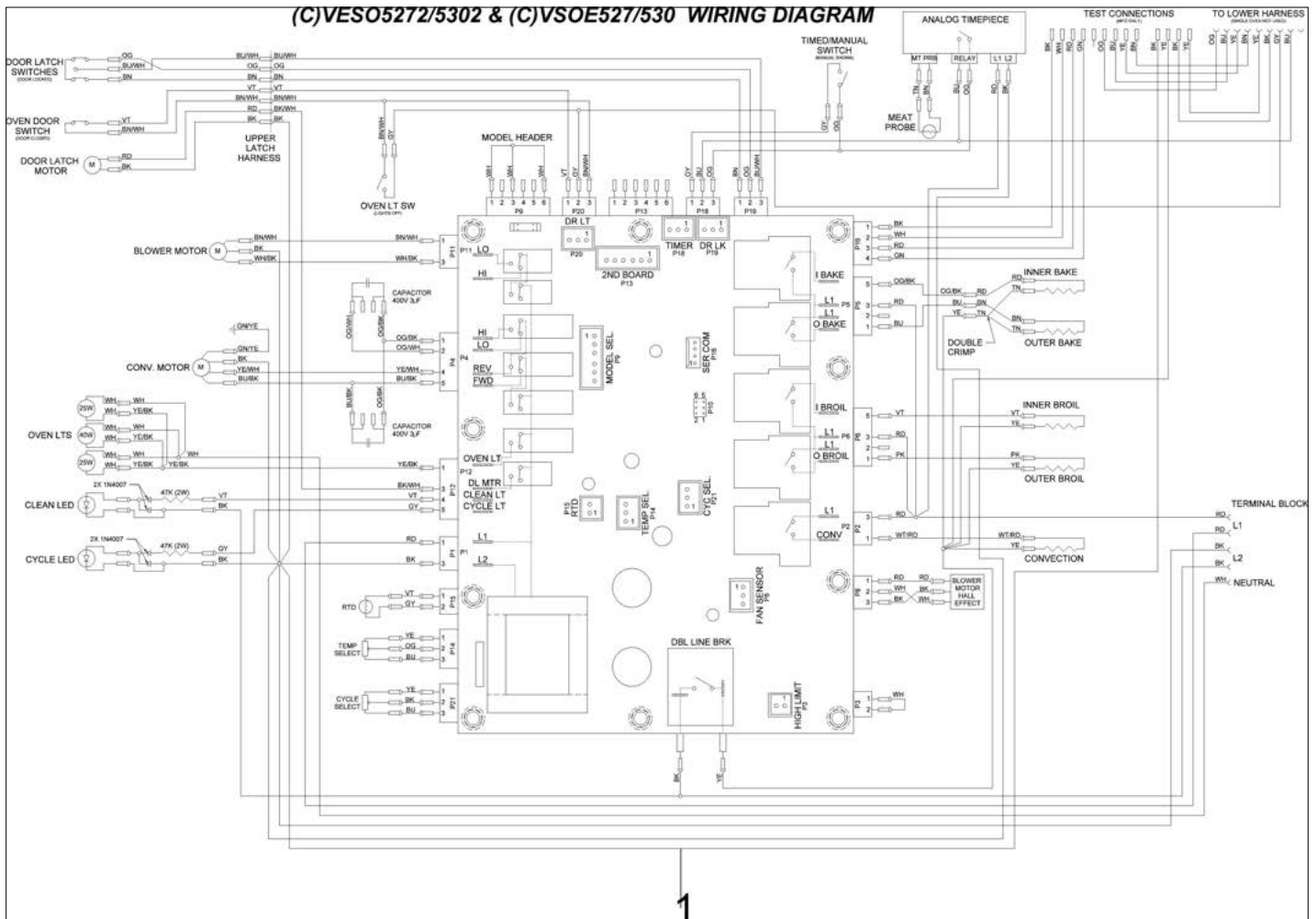
Wiring Harness View





Item	Part No.	Name	Qty	Uom	NOTES
1	057466-000	HARN, WALL OVEN, UPR, MAIN, EOC621	1	EA	

Wiring Diagram View





Item	Part No.	Name	Qty	Uom	NOTES
1	057761-200	DIAG, W, VESO5272/5302, ADH	1	EA	



Appendix A:Pages Index

Cavity View 3
Chassis View 2
Control View 1
Decor View 4
Door View 6
Electrical View 5
Wiring Diagram View 9
Wiring Harness View 8
Wiring View 7



Appendix B:Parts Index

000621-501	5	049187-000	2
003083-000	1, 2	049667-000	2
003860-000	2, 3, 4, 5	050081-000	7
004907-000	6	050172-000	1
013543-000	6	050261-000	1
013547-000	3, 6	050694-000	6
013558-000	6	051443-000	1
013564-000	2	051580-000	3
013567-000	6	051590-000	4
014143-000	3	052425-002	4
015043-000	1	052426-002	4
018607-000	5	053905-000	5
020403-000	5	055041-402	4
023799-000	6	057466-000	8
023998-000	6	057761-200	9
024253-000	4	058083-000	7
024254-000	4	058336-000	2
024255-000	4	062341-000	6
024774-000	1	063296-000	6
025057-000	2	063580-002	6
025063-002	4	063580-005	6
025067-000	3	063580-006	6
025100-000	1	063580-008	6
025186-000	6	063580-013	6
025187-000	6	063580-024	6
025494-000	4	063580-057	6
030823-000	6	063580-2801	6
032857-402	3	063580-2847	6
032861-000	2	063580-6180	6
035975-2296	1	063580-6258	6
036441-000	1	063580-6421	6
036576-000	1	063580-6765	6
037304-000	3, 5	063580-6797	6
039293-000	5	063580-6871	6
040196-000	5	063580-7024	6
044044-000	2	063580-7070	6
044607-000	5	063580-7585	6
048347-000	5	063580-7652	6
048457-000	3	063580-7674	6
048458-000	3	063580-9178	6
		064101-2095	1



065847-000	4	PD020063	6
065947-000	4	PD020261	4
066114-000	3	PD020269	1
066478-402	4	PD040132	2
066479-402	4	PE050114	5
066764-000	3	PE050115	5
066765-000	3	PE050140	1
066766-000	3	PE050206	5
068653-601	5	PE060094	6
069755-000	1	PE070147	5
A10014028	5	PE070734	5
A20012640	6	PE070735	5
A20012641	6	PE070739	7
A20012649	2	PJ010047	5
A20014021	5	PJ010049	5
A20014049	2	PM010014	3
A20014052	2	PM010160	5
A20014089	2	a20010934	2
A2009620	3	a2009641	3
A2009632	6	a2009667	2
A2009640	2	a2009697	3
A2009666	2	pd020062	4
A2009671	2	pd020073	6
A2009672	5	pd030118	2
G3009694	2	pd030172	2
G32014020	5	pj010048	5
G40015469	1	pj030033	1
M0210443	4	pj030035	1
M0211021	5	pj030040	1
M0215318	4		
PA010093	1		
PB020275	3		
PC020221	4		
PC020247	4		
PD020004	1, 6		
PD020010	5		
PD020013	5		
PD020014	6		
PD020032	1, 4, 6		
PD020055	5		
PD020061	3		