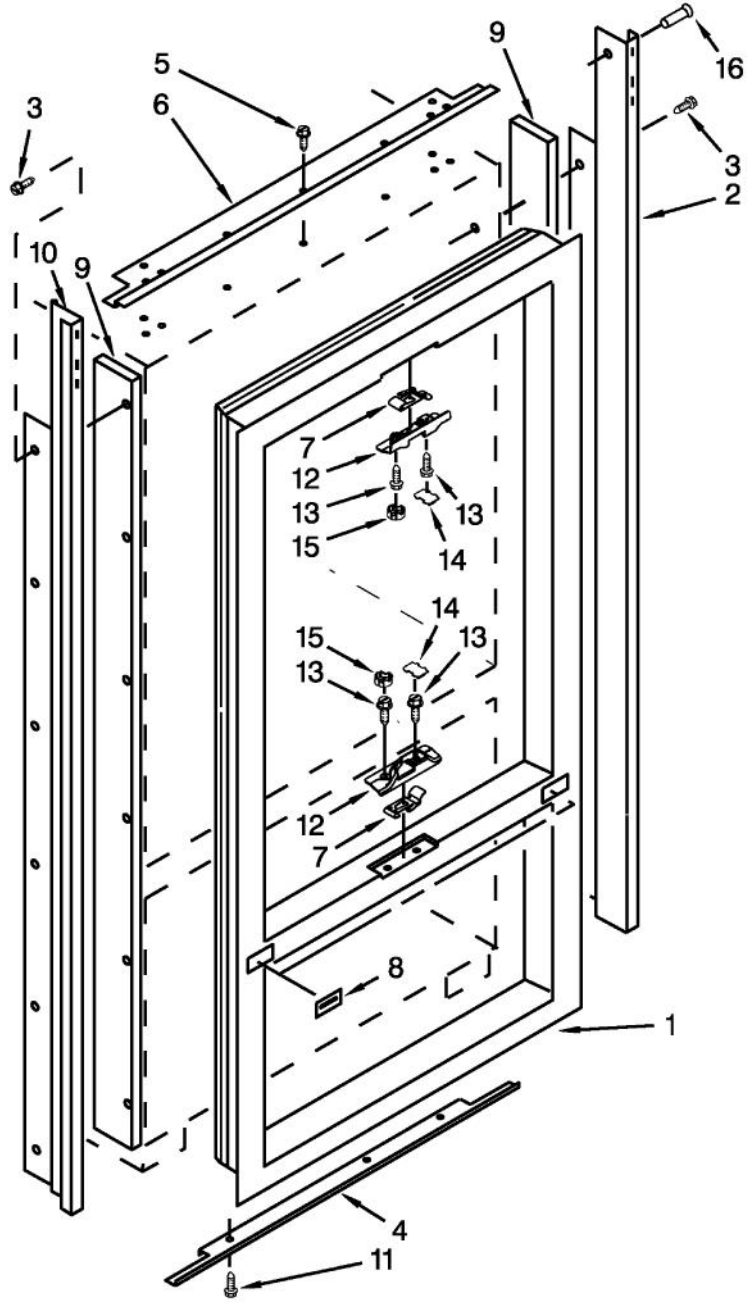




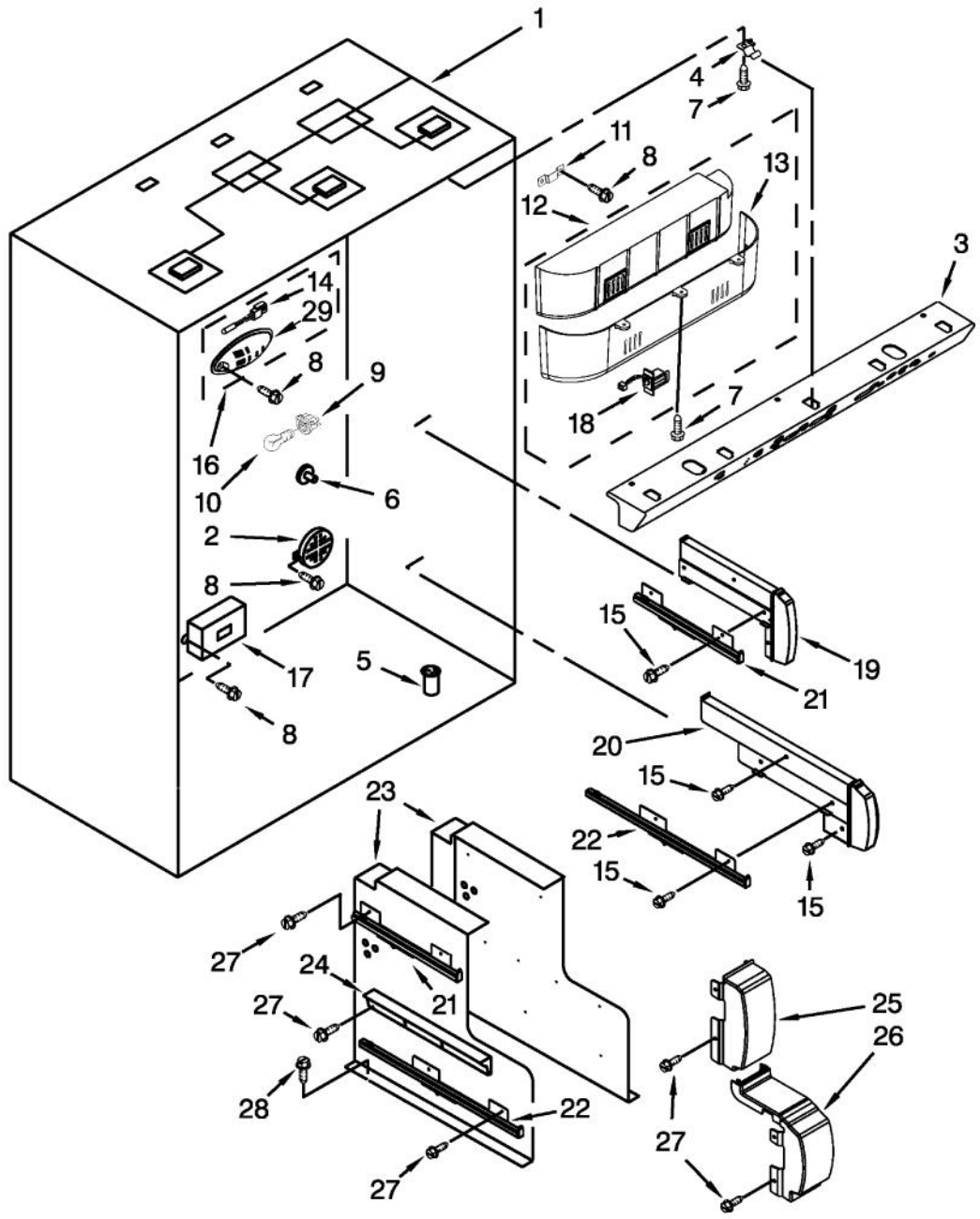
| Ref # | Part Number | Qty. | Description                        |
|-------|-------------|------|------------------------------------|
| 1     | NS          | NA   | LITERATURE-NON SERVICEABLE         |
| 2     | NS          | NA   | LITERATURE-NON SERVICEABLE         |
| 3     | 050380-000  | 1    | GROMMET, CROSSOVER TUBE            |
| 4     | 050464-000  | 1    | ASSEMBLY, ROLLER                   |
| 5     | 050465-000  | 1    | SUPPORT, BASE ASSEMBLY, RIGHT HAND |
| 5     | 050485-000  | 1    | SUPPORT, BASE ASSEMBLY, LEFT HAND  |
| 6     | 050323-000  | 4    | SCREW                              |
| 7     | 050335-000  | 1    | WIRE ASSEMBLY, LIGHT SWITCH        |
| 8     | 021565-000  | 4    | SCREW                              |
| 9     | 050381-000  | 2    | BRACKET, GRILL MOUNTING            |
| 11    | 050463-000  | 4    | SCREW                              |
| 12    | 050339-000  | 1    | SHIM, DOOR HINGE                   |
| 13    | 050401-000  | 1    | TUBE, DRAIN                        |
| 14    | 050331-000  | 1    | RING, RETAINER                     |
| 15    | 050316-000  | 2    | SCREW                              |
| 16    | 050325-000  | 1    | LEVELER, ADJUSTABLE                |
| 17    | 050424-000  | 1    | TRAY, FILTER DRIP                  |
| 18    | 050405-000  | 1    | HINGE, REFRIGERATOR DOOR TOP       |
| 19    | 050425-000  | 1    | STOP, DOOR                         |
| 20    | PR120103    | 1    | BUSHING 2004994                    |
| 21    | 050330-000  | 1    | BRACKET, BASE SUPPORT              |
| 22    | 050404-000  | 1    | STOP, DOOR                         |
| 23    | 021579-000  | 1    | HOUSING, WATER FILLER              |
| 24    | 050347-000  | 1    | SPRING, DOOR CLOSURE (GREEN)       |
| 25    | 050314-000  | 4    | SCREW                              |
| 26    | 050537-000  | 1    | FILTER, WATER                      |
| 27    | 050410-000  | 1    | BUSHING, EXTENSION ARM             |
| 28    | 050508-000  | 1    | BRACKET, FILTER                    |
| 29    | 050506-000  | 1    | HINGE, CENTER REFRIGERATOR DOOR    |
| 30    | 021577-000  | 3    | SCREW                              |
| 31    | 021573-000  | 1    | BUTTON, WATER FILLER - BLACK       |
| 32    | 050448-000  | 1    | BLACK SKIRT, BOTTOM GRILLE         |
| 33    | 050443-000  | 2    | SCREW                              |
| 34    | 050450-000  | 1    | GRILLE BASE, FRONT                 |
| 35    | 050521-000  | 1    | COVER ASSEMBLY, AIR DUCT           |
| 36    | 050356-000  | 1    | ARM, EXTENSION- LEFT HAND          |
| 36    | 050357-000  | 1    | ARM, EXTENSION-RIGHT HAND          |
| 37    | 050343-000  | 1    | BRACKET, SWITCH- LEFT HAND         |
| 37    | 050344-000  | 1    | BRACKET, SWITCH-RIGHT HAND         |
| 38    | 050341-000  | 1    | COVER, SWITCH                      |
| 39    | 050449-000  | 1    | BLACK CAP, WATER FILTER            |
| 40    | 050438-000  | 2    | SCREW                              |
| 41    | PR110008    | 1    | SWITCH, ROCKER ARM                 |
| 42    | 050444-000  | 2    | SCREW                              |
| 43    | 050439-000  | 2    | SCREW                              |
| 44    | 021564-000  | 2    | SCREW                              |
| 45    | 050398-000  | 1    | BUSHING, HINGE                     |
| 46    | 050319-000  | 2    | SCREW                              |

### CABINET TRIM PARTS



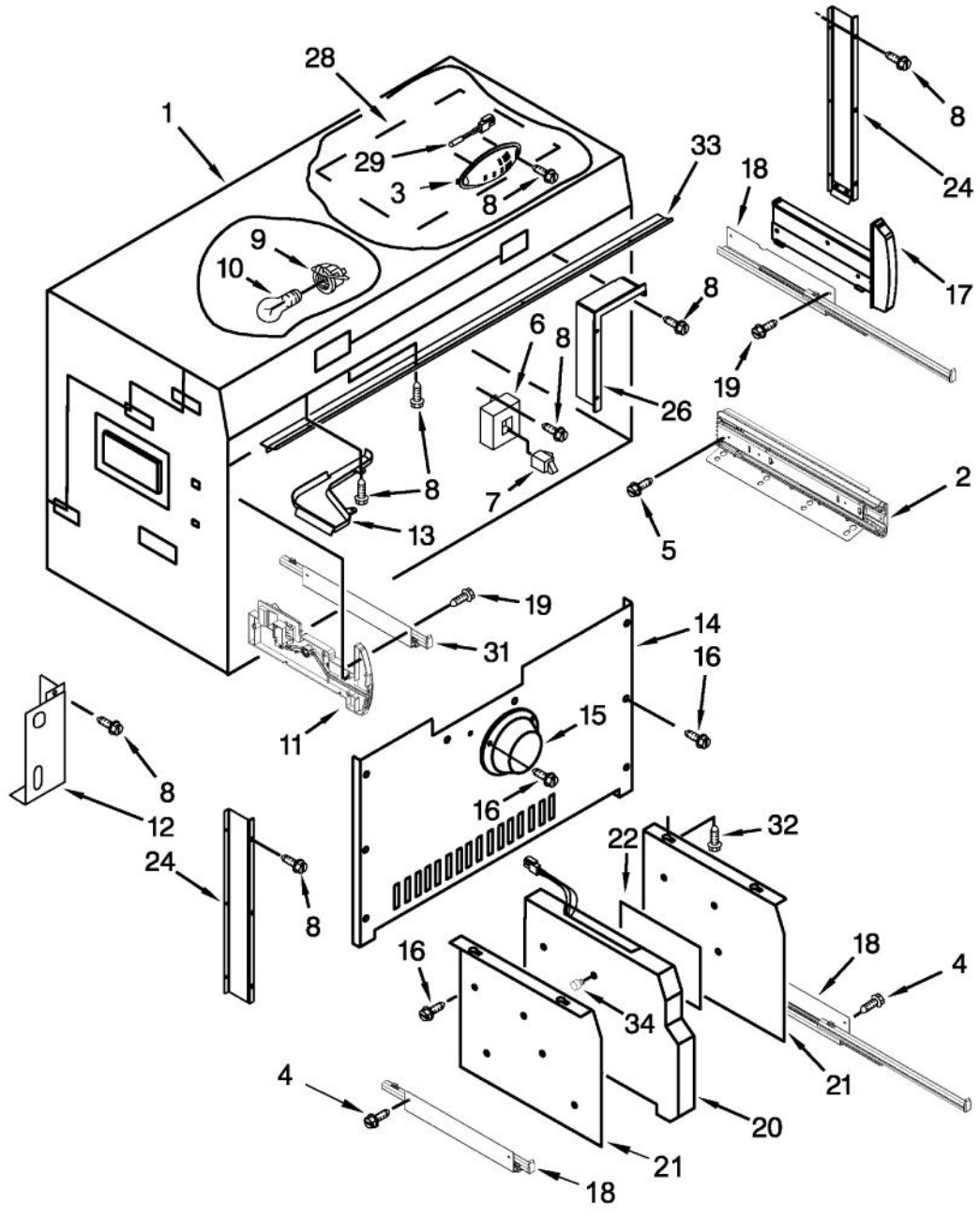
| Ref # | Part Number | Qty. | Description                         |
|-------|-------------|------|-------------------------------------|
| 1     | NA          | N/A  | LOW VOLTAGE BOARD (AFTER 01/22/05)  |
| 2     | 050457-000  | 1    | TRIM, CABINET SIDE, ALUMINUM        |
| 3     | PR120107    | 12   | SCREW 1163283                       |
| 4     | 050403-000  | 1    | TRIM, BOTTOM CABINET, ALUMINUM      |
| 5     | 050314-000  | 5    | SCREW                               |
| 6     | 050397-000  | 1    | TRIM, TOP CABINET, ALUMINUM         |
| 7     | 050408-000  | 1    | TOP CAM, MULLION                    |
| 7     | 050409-000  | 1    | BOTTOM CAM, MULLION                 |
| 8     | 050326-000  | 1    | HINGE COVER, WHITE                  |
| 9     | 050327-000  | 1    | SEAL, SIDE TRIM                     |
| 10    | 050458-000  | 1    | TRIM, CABINET SIDE (LEFT), ALUMINUM |
| 11    | 021577-000  | 3    | SCREW                               |
| 12    | 050390-000  | 1    | CONTACT, MULLION, TOP               |
| 12    | 050391-000  | 1    | CONTACT, MULLION, BOTTOM            |
| 13    | 050314-000  | 5    | SCREW                               |
| 14    | 050411-000  | 1    | COVER, SCREW (SQUARE)               |
| 15    | 050415-000  | 1    | COVER, SCREW (ROUND)                |
| 16    | 050451-000  | 1    | INSERT, BLIND THREADED              |

# REFRIGERATOR LINER PARTS



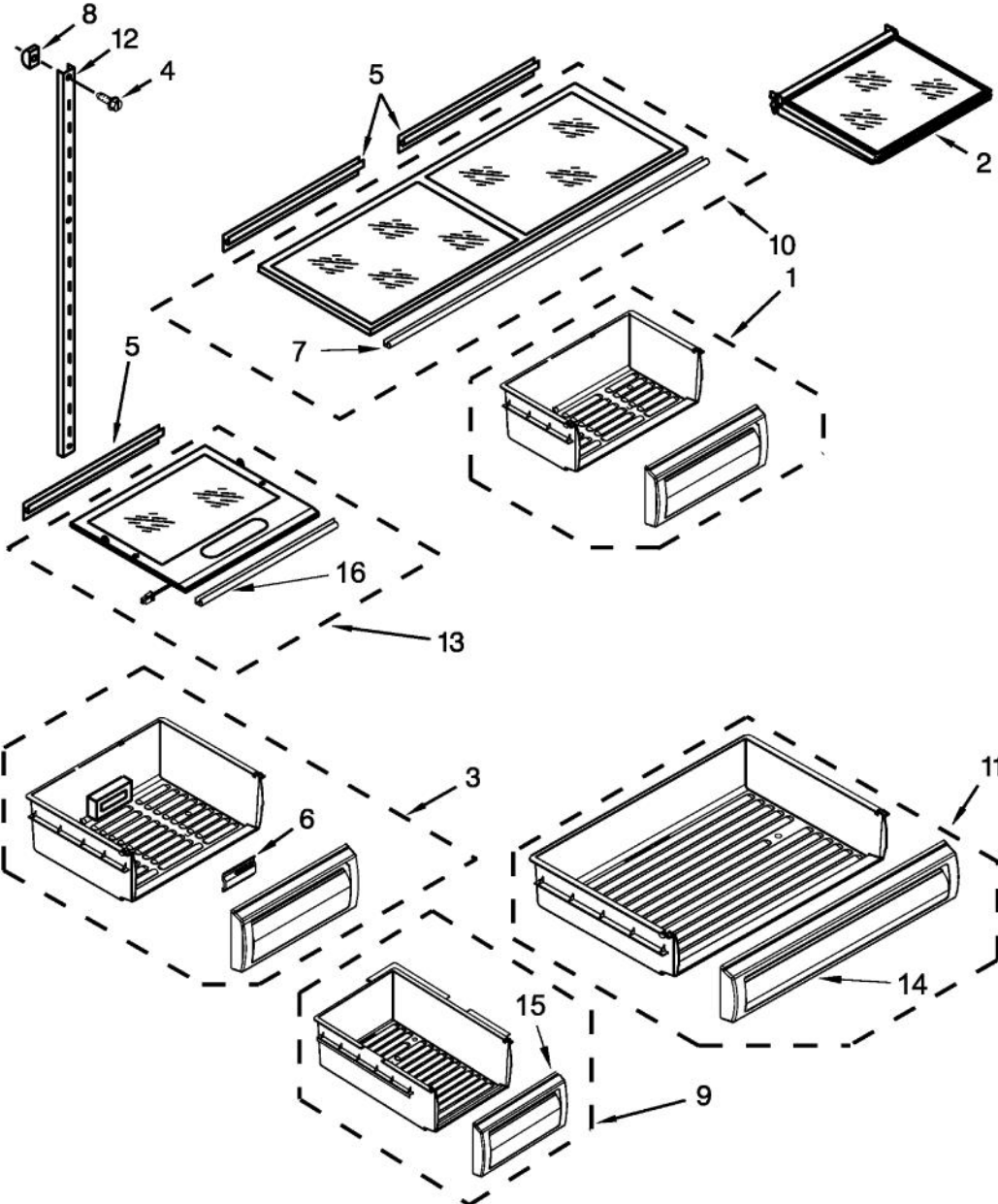
| Ref # | Part Number | Qty. | Description                        |
|-------|-------------|------|------------------------------------|
| 1     | NA          |      | LOW VOLTAGE BOARD (AFTER 01/22/05) |
| 2     | 050413-000  |      | COVER, AIR RETURN                  |
| 3     | 050540-000  |      | CONTROL BOX, COMPLETE              |
| 4     | 050412-000  |      | CLIP, CONTROL BOX                  |
| 5     | 050334-000  |      | BODY, VALVE TUBE                   |
| 6     | 021603-000  |      | STUD ASSEMBLY                      |
| 7     | 021564-000  |      | SCREW                              |
| 8     | 050317-000  |      | SCREW (STAINLESS)                  |
| 9     | 050473-000  |      | SOCKET, LIGHT                      |
| 10    | 021559-000  |      | LIGHT BULB                         |
| 11    | 050420-000  |      | CLIP, DIFFUSER COVER               |
| 12    | 050428-000  |      | DIFFUSER ASSEMBLY                  |
| 13    | 050427-000  |      | COVER, DIFFUSER                    |
| 14    | 021413-000  |      | THERMISTOR                         |
| 15    | 050318-000  |      | SCREW                              |
| 16    | 022177-000  |      | THERMISTOR ASSY                    |
| 17    | 050358-000  |      | DIFFUSER, CRISPER (COMPLETE)       |
| 18    | 050348-000  |      | ASSEMBLY, AIR BAFFLE               |
| 19    | 050360-000  |      | SPACER, CRISPER, LEFT HAND         |
| 19    | 050361-000  |      | SPACER, CRISPER, RIGHT HAND        |
| 20    | 050378-000  |      | SPACER, DELI, RIGHT HAND           |
| 20    | 050379-000  |      | SPACER, DELI, LEFT HAND            |
| 21    | 050362-000  |      | SLIDE, CRISPER PAN, LEFT HAND      |
| 21    | 050363-000  |      | SLIDE, CRISPER PAN, RIGHT HAND     |
| 22    | 050364-000  |      | SLIDE, DELI PAN, LEFT HAND         |
| 22    | 050365-000  |      | SLIDE, DELI PAN, RIGHT HAND        |
| 23    | 050429-000  |      | CENTER SUPPORT, RIGHT HAND         |
| 23    | 050430-000  |      | CENTER SUPPORT, LEFT HAND          |
| 24    | 050400-000  |      | SUPPORT, DELI COVER                |
| 25    | 050386-000  |      | COVER, CENTER (CRISPER PANS)       |
| 26    | 050423-000  |      | COVER, CENTER (DELI PANS)          |
| 27    | 050441-000  |      | SCREW                              |
| 28    | 050437-000  |      | SCREW (STAINLESS)                  |
| 29    | 021544-000  |      | COVER, THERMISTOR                  |

# FREEZER LINER PARTS



| Ref # | Part Number | Qty. | Description                            |
|-------|-------------|------|--|
| 1     | N/A         |      | HEAT SHIELD - MUST ORDER ITEM NO. 11   |
| 2     | 050519-000  |      | SLIDE AND BRACKET ASSEMBLY, LEFT HAND  |
| 2     | 050520-000  |      | SLIDE AND BRACKET ASSEMBLY, RIGHT HAND |
| 3     | 021544-000  |      | COVER, THERMISTOR                      |
| 4     | 050441-000  |      | SCREW                                  |
| 5     | 050445-000  |      | SCREW                                  |
| 6     | 050478-000  |      | COVER, SWITCH                          |
| 8     | 050314-000  |      | SCREW                                  |
| 9     | 050473-000  |      | SOCKET, LIGHT                          |
| 10    | 021559-000  |      | LIGHT BULB                             |
| 11    | 050499-000  |      | SWITCH ASSEMBLY, ICE MAKER             |
| 12    | 050377-000  |      | COVER, WIRING (ICE MAKER)              |
| 13    | 050414-000  |      | DUCT, AIR FLOW, (ICEMAKER)             |
| 14    | 050368-000  |      | COVER, EVAPORATOR                      |
| 15    | 050417-000  |      | COVER, FAN                             |
| 16    | 050317-000  |      | SCREW (STAINLESS)                      |
| 17    | 050371-000  |      | SPACER, DRAWER (RIGHT SIDE)            |
| 18    | 050372-000  |      | SLIDE, RIGHT HAND                      |
| 18    | 050373-000  |      | SLIDE, LEFT HAND                       |
| 20    | 050488-000  |      | DIVIDER, FREEZER BINS                  |
| 21    | 050369-000  |      | SUPPORT, SLIDE (RIGHT HAND)            |
| 21    | 050370-000  |      | SUPPORT, SLIDE (LEFT HAND)             |
| 22    | 050421-000  |      | SHIELD                                 |
| 24    | 050419-000  |      | BRACKET, EVAPORATOR COVER (RIGHT HAND) |
| 24    | 050426-000  |      | BRACKET, EVAPORATOR COVER (LEFT HAND)  |
| 26    | 050452-000  |      | ASSEMBLY, AIR RETURN BRACKET           |
| 28    | 022177-000  |      | THERMISTOR ASSY                        |
| 29    | 021413-000  |      | THERMISTOR                             |
| 32    | 050437-000  |      | SCREW (STAINLESS)                      |
| 33    | 050459-000  |      | ASSEMBLY, AIR DEFLECTOR                |

# SHELF PARTS

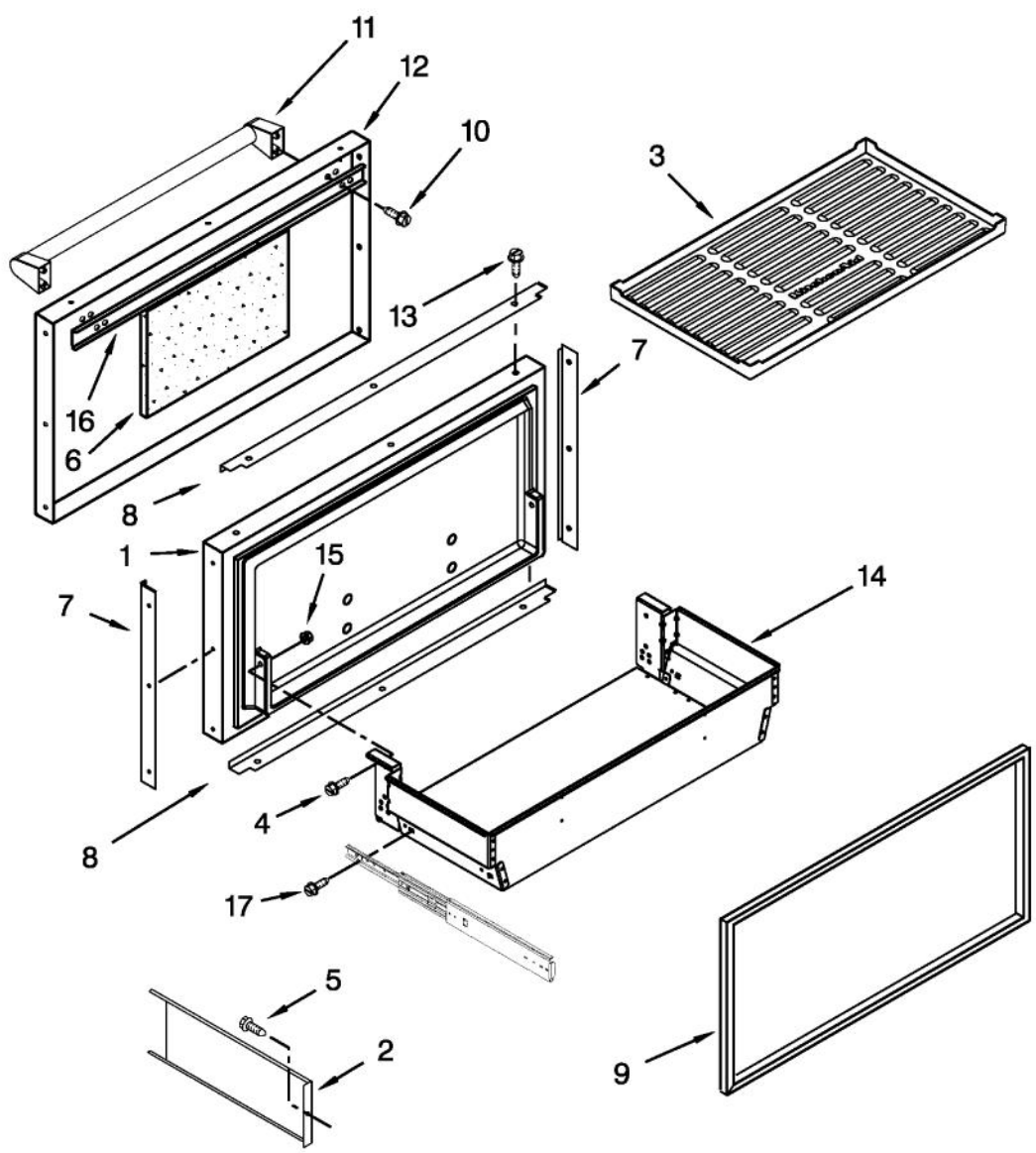


| Ref # | Part Number | Qty. | Description                                    |
|-------|-------------|------|--|
| 1     | 050512-000  |      | CRISPER PAN ASSEMBLY, RIGHT HAND               |
| 1     | 050513-000  |      | CRISPER PAN ASSEMBLY, LEFT HAND                |
| 2     | 050543-000  |      | SHELF  |
| 3     | 050514-000  |      | DELI PAN ASSEMBLY (INCLUDES ITEM 6) RIGHT HAND |
| 3     | 050515-000  |      | DELI PAN ASSEMBLY (INCLUDES ITEM 6) LEFT HAND  |
| 4     | 050329-000  |      | SCREW (WHITE)                                  |
| 5     | 050394-000  |      | GASKET, REAR                                   |
| 6     | 050422-000  |      | DEFLECTOR, AIR                                 |
| 7     | 050393-000  |      | GASKET, FRONT (CRISPER COVER)                  |
| 8     | PR120013    |      | BUSHING - LADDER (SUPPORT) (520965)            |
| 9     | 050374-000  |      | ASSEMBLY, ICE PAN                              |
| 10    | 050468-000  |      | COVER, CRISPER                                 |
| 11    | 050435-000  |      | ASSEMBLY, FREEZER PAN                          |
| 12    | 050434-000  |      | LADDER, SHELF                                  |
| 13    | 050469-000  |      | COVER, DELI BIN RIGHT HAND                     |
| 13    | 050470-000  |      | COVER, DELI BIN LEFT HAND                      |
| 14    | 050353-000  |      | ASSEMBLY, MEAT PAN FRONT                       |
| 15    | 050375-000  |      | FRONT, ICE PAN                                 |
| 16    | 050392-000  |      | GASKET, FRONT (DELI COVER)                     |



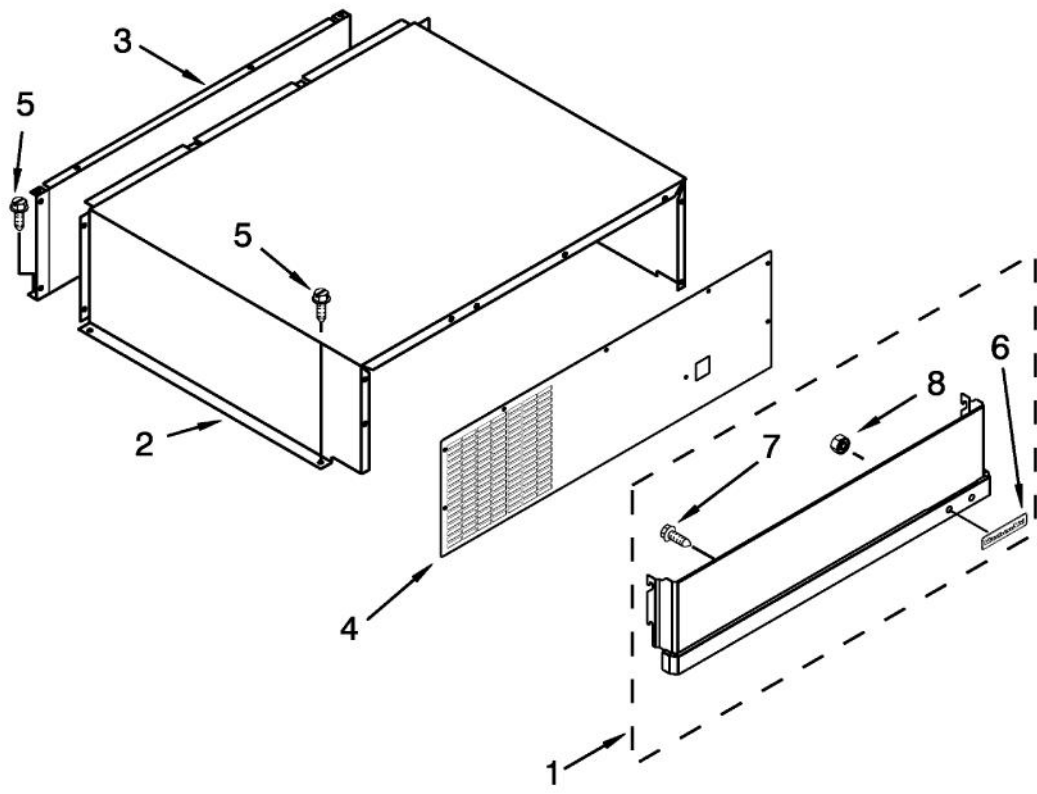
| Ref # | Part Number | Qty. | Description                      |
|-------|-------------|------|----------------------------------|
| 1     | 050474-000  |      | DOOR, REFRIGERATOR RIGHT HAND    |
| 1     | 050475-000  |      | DOOR, REFRIGERATOR LEFT HAND     |
| 2     | 050359-000  |      | GASKET, DOOR                     |
| 3     | 050433-000  |      | ASSEMBLY, TOP HINGE              |
| 4     | 050407-000  |      | SPACER, DOOR HINGE BOTTOM        |
| 5     | 050463-000  |      | SCREW                            |
| 6     | 050350-000  |      | GASKET, UTILITY BIN              |
| 7     | 050482-000  |      | BOTTOM HINGE ASSEMBLY RIGHT HAND |
| 7     | 050483-000  |      | BOTTOM HINGE ASSEMBLY LEFT HAND  |
| 8     | 050546-000  |      | SKIN, DOOR STAINLESS             |
| 9     | 050544-000  |      | HANDLE STAINLESS                 |
| 10    | 050453-000  |      | PLATE, HANDLE DOOR               |
| 11    | 050313-000  |      | SCREW                            |
| 12    | 050500-000  |      | BIN, UTILITY CENTER              |
| 13    | 050402-000  |      | SPACER, DOOR EDGE (HANDLE SIDE)  |
| 14    | 050501-000  |      | UTILITY BIN ENDCAP RIGHT HAND    |
| 14    | 050502-000  |      | UTILITY BIN ENDCAP LEFT HAND     |
| 15    | 050387-000  |      | SPACER, DOOR EDGE (TOP / BOTTOM) |
| 16    | 050328-000  |      | WASHER, EXTENSION ARM            |
| 17    | 050406-000  |      | BUSHING, TOP HINGE               |
| 18    | 050436-000  |      | SCREW (STAINLESS)                |
| 19    | 050383-000  |      | ASSEMBLY, MULLION                |
| 20    | 050504-000  |      | BIN, GALLON DOOR                 |
| 21    | 050503-000  |      | BIN, DOOR                        |
| 22    | 050456-000  |      | DOOR, UTILITY BIN                |
| 23    | 050349-000  |      | RAIL, UTILITY LID                |

# FREEZER DOOR AND BASKET PARTS



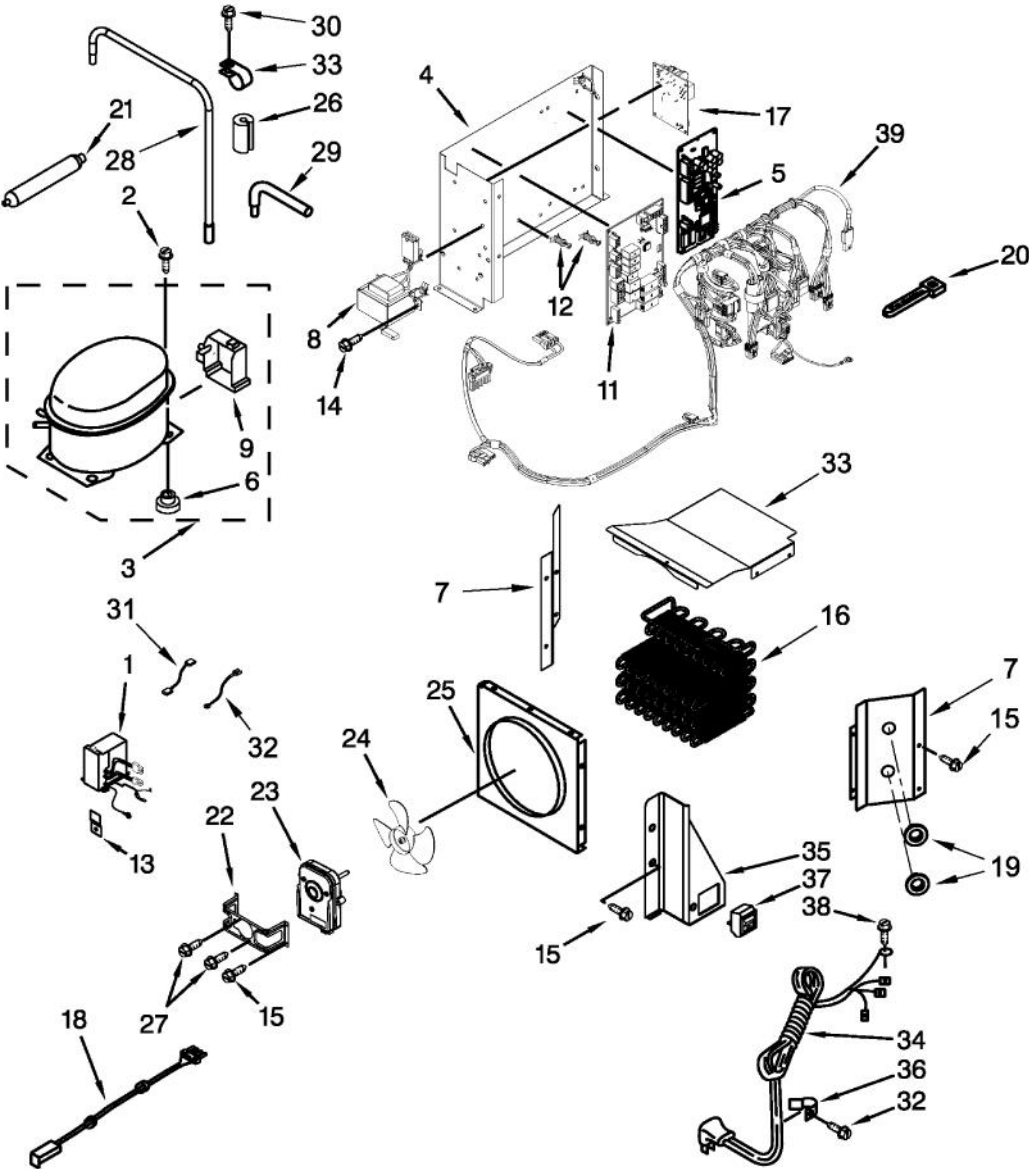
| Ref # | Part Number | Qty. | Description                        |
|-------|-------------|------|------------------------------------|
| 1     | 050480-000  |      | FREEZER DOOR                       |
| 2     | 050416-000  |      | DIVIDER, BASKET                    |
| 3     | 050471-000  |      | MAT, BASKET                        |
| 4     | 050460-000  |      | SCREW                              |
| 5     | 050461-000  |      | SCREW                              |
| 6     | 050388-000  |      | FILLER, FOAM                       |
| 7     | 050507-000  |      | SPACER, DOOR EDGE (SIDE)           |
| 8     | 050389-000  |      | SPACER, DOOR EDGE (TOP AND BOTTOM) |
| 9     | 050476-000  |      | DOOR GASKET, MAGNETIC              |
| 10    | 050313-000  |      | SCREW                              |
| 11    | 050544-000  |      | HANDLE STAINLESS                   |
| 12    | 050547-000  |      | SKIN, DOOR STAINLESS               |
| 13    | 050436-000  |      | SCREW (STAINLESS)                  |
| 14    | 050479-000  |      | ASSEMBLY, FREEZER BASKET           |
| 15    | 050338-000  |      | NUT, HEX                           |
| 16    | 050453-000  |      | PLATE, HANDLE DOOR                 |
| 17    | 050446-000  |      | SCREW                              |

# TOP GRILLE AND UNIT COVER PARTS



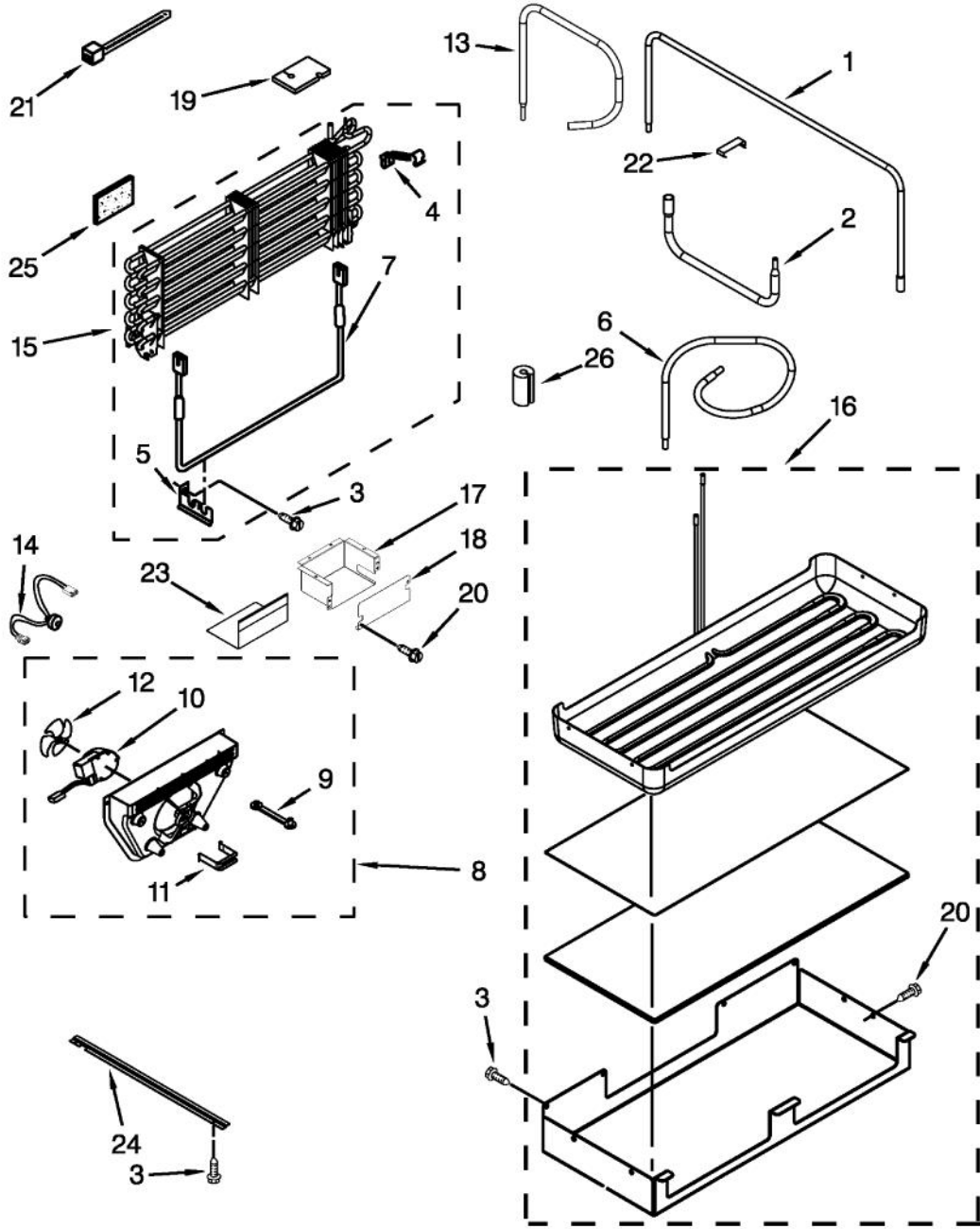
| Ref # | Part Number | Qty. | Description                    |
|-------|-------------|------|--------------------------------|
| 1     | 050498-000  |      | ASSEMBLY, TOP GRILLE STAINLESS |
| 2     | 050541-000  |      | COVER, UNIT                    |
| 3     | 050354-000  |      | PANEL, UNIT BACK               |
| 4     | 050472-000  |      | COVER, UNIT FRONT              |
| 5     | 050322-000  |      | SCREW                          |
| 6     | 050447-000  |      | NAMEPLATE, VIKING              |
| 7     | 050320-000  |      | SCREW                          |
| 8     | 050324-000  |      | NUT                            |

# UPPER UNIT PARTS



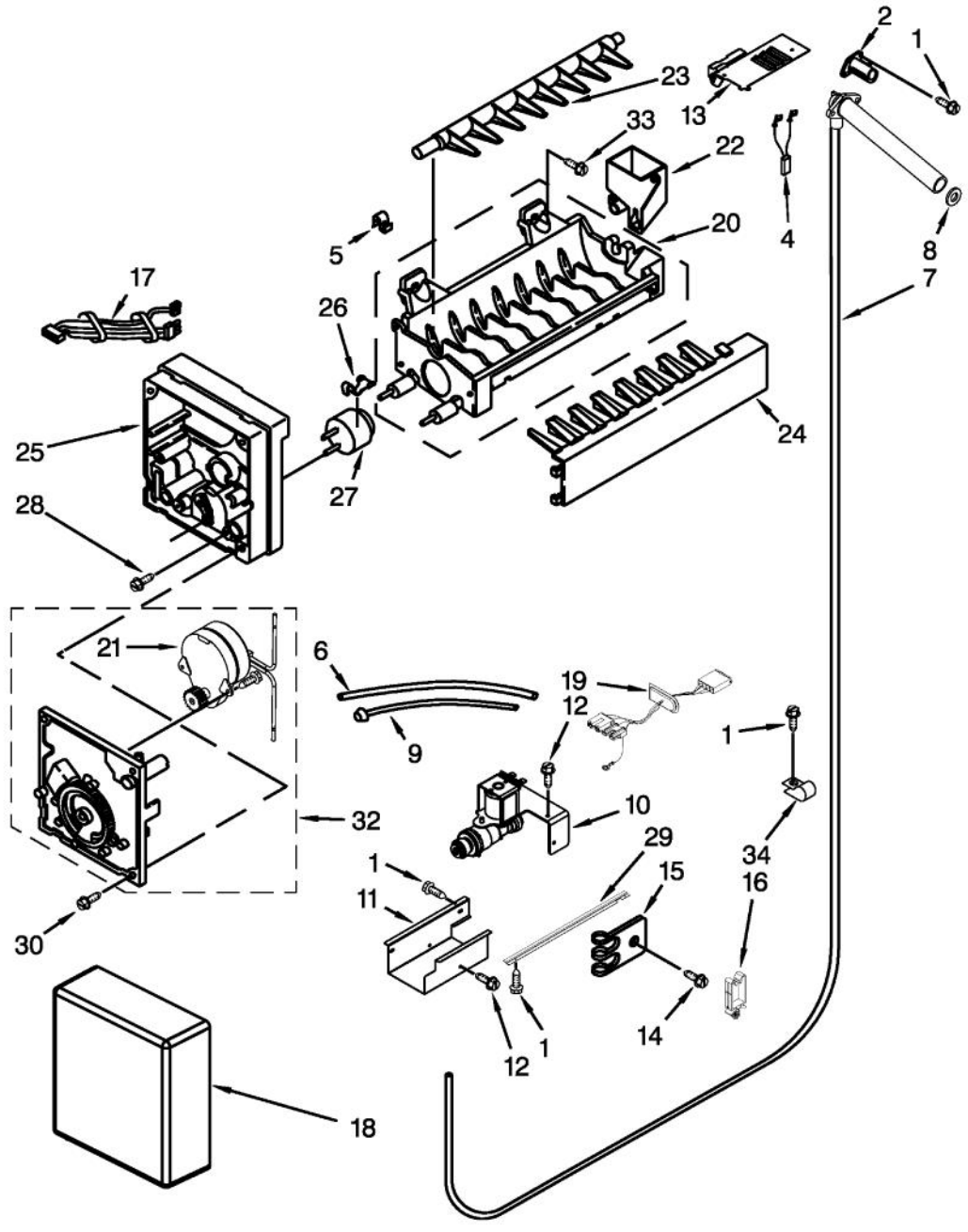
| Ref # | Part Number | Qty. | Description                       |
|-------|-------------|------|-----------------------------------|
| 1     | 050527-000  |      | ASSEMBLY, INVERTER BOX            |
| 2     | 021381-000  |      | SCREW                             |
| 3     | 050351-000  |      | COMPRESSOR                        |
| 4     | 050495-000  |      | HOUSING, CONTROL BOARD            |
| 5     | 050367-000  |      | CONTROL, ELECTRONIC               |
| 6     | 021389-000  |      | GROMMET                           |
| 7     | 050533-000  |      | SUPPORT, CONDENSER LEFT HAND      |
| 7     | 050534-000  |      | SUPPORT, CONDENSER RIGHT HAND     |
| 8     | 050366-000  |      | TRANSFORMER                       |
| 9     | 050340-000  |      | COVER, TERMINAL                   |
| 11    | 050522-000  |      | BOARD, CONTROL                    |
| 12    | 050337-000  |      | SPACER                            |
| 13    | 050352-000  |      | MOUNTING BRACKET, INVERTER        |
| 14    | 050316-000  |      | SCREW                             |
| 15    | 050322-000  |      | SCREW                             |
| 16    | 050539-000  |      | CONDENSER                         |
| 17    | 050509-000  |      | CONTROL, ELECTRONIC               |
| 18    | 050395-000  |      | ASSEMBLY, CONDENSER               |
| 19    | 050538-000  |      | FAN WIRE GROMMET                  |
| 20    | 050332-000  |      | TIE WIRE                          |
| 21    | 050467-000  |      | DRIER                             |
| 22    | 050517-000  |      | BRACKET, FAN MOTOR                |
| 23    | 050336-000  |      | MOTOR, CONDENSER                  |
| 24    | 021585-000  |      | FAN, BLADE                        |
| 25    | 050518-000  |      | ORIFICE, FAN                      |
| 26    | 021551-000  |      | GROMMET-COND.                     |
| 27    | 050440-000  |      | SCREW                             |
| 28    | 050542-000  |      | TUBE, DRIER TRANSITION            |
| 29    | 050535-000  |      | TUBE, PROCESS                     |
| 30    | 050314-000  |      | SCREW                             |
| 31    | 050530-000  |      | JUMPER, INVERTER                  |
| 32    | 050531-000  |      | GROUND, INVERTER                  |
| 33    | 050505-000  |      | CLAMP, TUBE                       |
| 34    | 050396-000  |      | CORD, POWER                       |
| 35    | 050494-000  |      | BRACKET, CONTROL ASSEMBLY         |
| 36    | 021383-000  |      | CLAMP, SERVICE CORD               |
| 37    | PR110020    |      | POWER DISCONNECT SWITCH (2266802) |
| 38    | 050315-000  |      | SCREW                             |
| 39    | 050523-000  |      | WIRING HARNESS, UNIT COMPARTMENT  |

### LOWER UNIT AND TUBE PARTS



| Ref # | Part Number | Qty. | Description                            |
|-------|-------------|------|--|
| 1     | 050536-000  |      | TUBE, TRANSITION (CONDENSER/DRAIN PAN) |
| 2     | 050510-000  |      | TUBE, TRANSITION (DRIER/RESTRICTOR)    |
| 3     | 050314-000  |      | SCREW                                  |
| 4     | 050384-000  |      | CLIP, EVAPORATOR HEATER                |
| 5     | 050385-000  |      | BRACKET, MOUNTING                      |
| 6     | 050490-000  |      | TUBE, OIL TRAP SUCTION                 |
| 7     | 050418-000  |      | ASSEMBLY, WATER INLET TUBE             |
| 8     | 050497-000  |      | ASSEMBLY, SCROLL                       |
| 9     | 050496-000  |      | GROMMET, MOTOR                         |
| 10    | 050525-000  |      | MOTOR, FAN                             |
| 11    | 050481-000  |      | RETAINER, FAN MOTOR                    |
| 12    | 011507-000  |      | BLADE, FAN                             |
| 13    | 050511-000  |      | TUBE, DISCHARGE                        |
| 14    | 050528-000  |      | HARNESS, BI-METAL                      |
| 15    | 050477-000  |      | ASSEMBLY, EVAPORATOR                   |
| 16    | 050487-000  |      | ASSEMBLY, DRAIN PAN                    |
| 17    | 050491-000  |      | COVER, WIRING                          |
| 18    | 050492-000  |      | COVER, WIRE BOX                        |
| 19    | 050376-000  |      | BLOCK, EVAPORATOR WATER FILTER         |
| 20    | 050312-000  |      | SCREW                                  |
| 21    | 050332-000  |      | TIE WIRE                               |
| 22    | 050466-000  |      | CLIP, HEAT EXCHANGER                   |
| 23    | 050493-000  |      | SHELF, WIRING COVER                    |
| 24    | 050431-000  |      | SUPPORT, DRAIN PAN                     |
| 25    | 050333-000  |      | SEALER, INSULATION                     |
| 26    | 050516-000  |      | GROMMET, AIR RETURN                    |

# ICEMAKER PARTS



| Ref # | Part Number | Qty. | Description                                |
|-------|-------------|------|--|
| 1     | 050314-000  |      | SCREW                                      |
| 2     | 050346-000  |      | HEATER, FILL TUBE                          |
| 4     | 050529-000  |      | WIRE ASSEMBLY, FILL TUBE HEATER            |
| 5     | 017065-000  |      | CLIP                                       |
| 6     | 050489-000  |      | TUBE, FILTER INLET                         |
| 7     | 050399-000  |      | ASSEMBLY, WATER INLET TUBE                 |
| 8     | 050321-000  |      | GASKET, SEAL                               |
| 9     | 050526-000  |      | TUBE, FILTER OUTLET                        |
| 10    | 050382-000  |      | VALVE, SOLENOID                            |
| 11    | 050455-000  |      | SHIELD, VALVE ELECTRICAL                   |
| 12    | 050315-000  |      | SCREW                                      |
| 13    | 050345-000  |      | SHIELD, HEAT                               |
| 14    | 021577-000  |      | SCREW                                      |
| 15    | 021445-000  |      | TUBE CLIP                                  |
| 16    | 050454-000  |      | CLIP, TUBE                                 |
| 17    | 050532-000  |      | WIRE ASSEMBLY, ICE MAKER                   |
| 18    | 021404-000  |      | COVER                                      |
| 19    | 050486-000  |      | WIRE ASSEMBLY, WATER VALVE                 |
| 20    | 011580-000  |      | MOLD & HEATER ASSEMBLY                     |
| 21    | N/A         |      | HEAT SHIELD - MUST ORDER ITEM NO. 11       |
| 22    | 050524-000  |      | CUP, WATER FILL                            |
| 23    | 011582-000  |      | ICE EJECTOR                                |
| 24    | 022659-000  |      | ICE STRIPPER                               |
| 25    | 011584-000  |      | SUPPORT, HOUSING                           |
| 26    | 011585-000  |      | RETAINER, THERMOSTAT                       |
| 27    | 011586-000  |      | THERMOSTAT                                 |
| 28    | 050442-000  |      | SCREW                                      |
| 29    | 050432-000  |      | SUPPORT, VALVE                             |
| 30    | 011579-000  |      | SCREW                                      |
| 32    | 021386-000  |      | MODULE ASSEMBLY (INCLUDES MOTOR AND SCREW) |
| 33    | 050462-000  |      | SCREW                                      |
| 34    | 050342-000  |      | CLAMP, TUBE                                |
| 100   | 050484-000  |      | COMPLETE ICEMAKER ASSEMBLY                 |