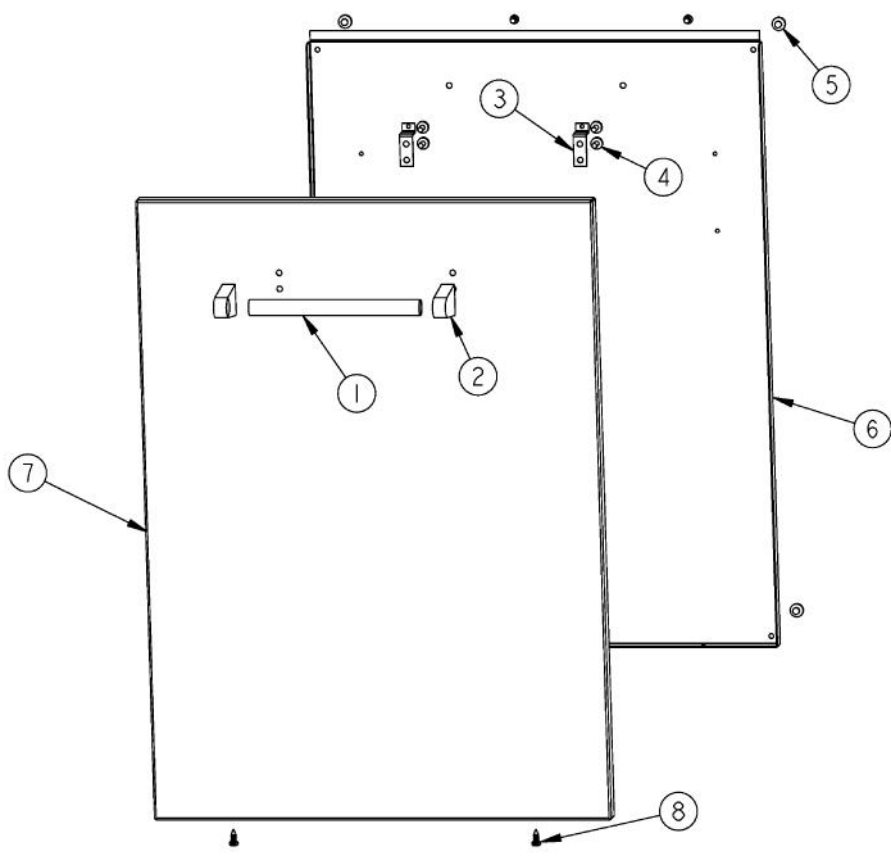
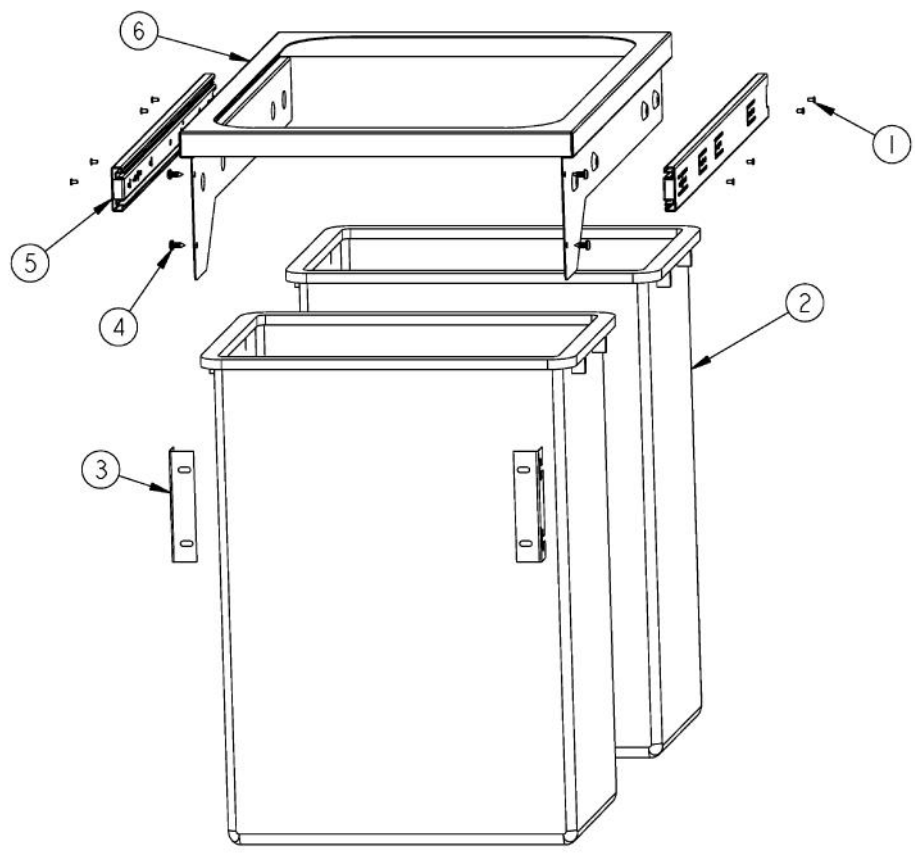


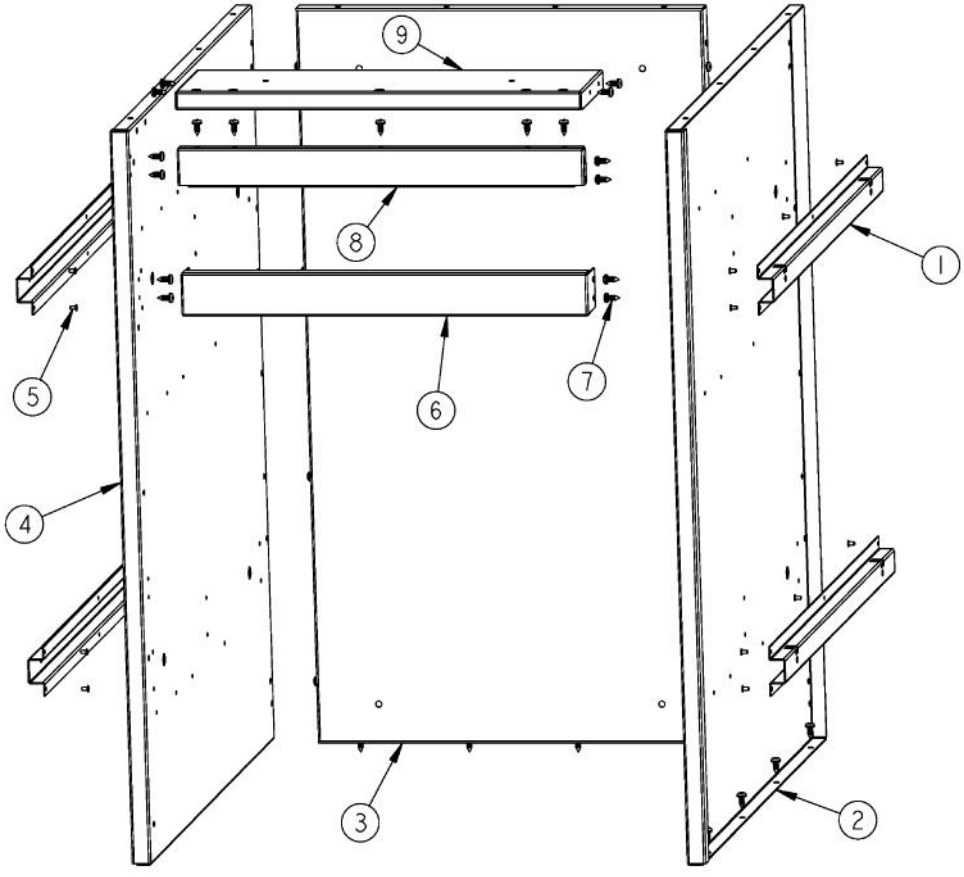
Ref #	Part Number	Qty.	Description
1	PC040014		POP RIVOT-SS42 SS
2	B20013969		TOP DRAWER REAR (VBO1830)
3	PC040019		POP RIVET (0.125 GR X 0.156 DIA)
4	PC080010		SLIDE
5	B20013968		TOP DRAWER (VBO1830)
6	B20013966		TOP INNER DRAWER DOOR (VBO1830)
7	PD040004		GROMMET BUMPER
8	PD020120		8 X 1/2 TEK SHEET METAL SCREW
9	B30013965		TOP OUTER DRAWER DOOR (VBO1830)
10	PE030189		CABINET HANDLE
11	PE030187		ENDCAP, TUBE
12	B20013950		HANDLE BRACKET (VBO/VTPO18)
13	PD020056		NO.10-24 X 1/2 PH.TR. M.S. SS
NI	G32013967SS		TOP DRAWER ASSY (VBO1830)



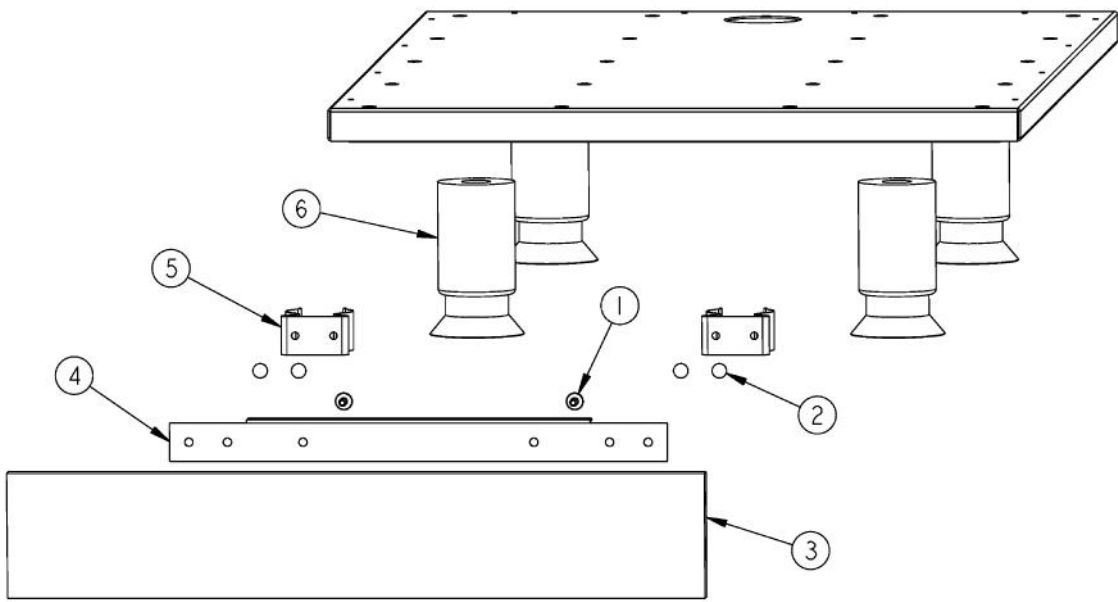
Ref #	Part Number	Qty.	Description
1	PE030189		CABINET HANDLE
2	PE030187		ENDCAP, TUBE
3	B20013950		HANDLE BRACKET (VBO/VTPO18)
4	PD020056		NO.10-24 X 1/2 PH.TR. M.S. SS
5	PD040004		GROMMET BUMPER
6	B20014625		I/S DOOR (VTPO18)
7	B30014622		O/S DOOR PANEL (VBO/VTPO18)
8	PD020120		8 X 1/2 TEK SHEET METAL SCREW
NI	G32014626SS		DOOR ASSEMBLY (VTPO1810)



Ref #	Part Number	Qty.	Description
1	PC040019		POP RIVET (0.125 GR X 0.156 DIA)
2	PM010586		18 OUTDOOR TRASH CAN (CABINETS)
3	B20014627		TRASH CAN SLIDE PLATE (VTP1810)
4	PD020055		NO.10 X 1/2 PAN PHIL. TEK. SS
5	PC080010		SLIDE
6	B20014899		TRASH CAN MOUNT PLATE (VTPO1810)



Ref #	Part Number	Qty.	Description
1	A20013956		MOUNT BRACKET (CABINETS)
2	B20013960		I/S SIDE RH (VBO1830)
3	B20013962		REAR PANEL (VBO1830)
4	B20013961		I/S SIDE LH (VBO1830)
5	PC040014		POP RIVOT-SS42 SS
6	B20013964		DRAWER DIVIDER (VBO1830)
7	PD020055		NO.10 X 1/2 PAN PHIL. TEK. SS
8	B20014605		TOP SUPPORT (VBO1830)
9	B20013963		TOP PANEL (VBO1830)



Ref #	Part Number	Qty.	Description
1	PD020002		10 X 1/2 PH.TR.HD.SMS.
2	PC040003		POP RIVET - SB64 3/16DIA.X 3/8
3	PK030482		18 KICK PLATE 18.125 X 3.250
4	A20014679		18 KICK PLATE MOUNT BRKT
5	PD030002		LOWER ACC PAN SPRING CLAMP (SYWE1)
6	PC030017		4 LEG ASSY
NI	G32014840		KICK PLATE ASSEMBLY (VBP18) (INC. ITEMS NO. 1 THROUGH NO. 5)