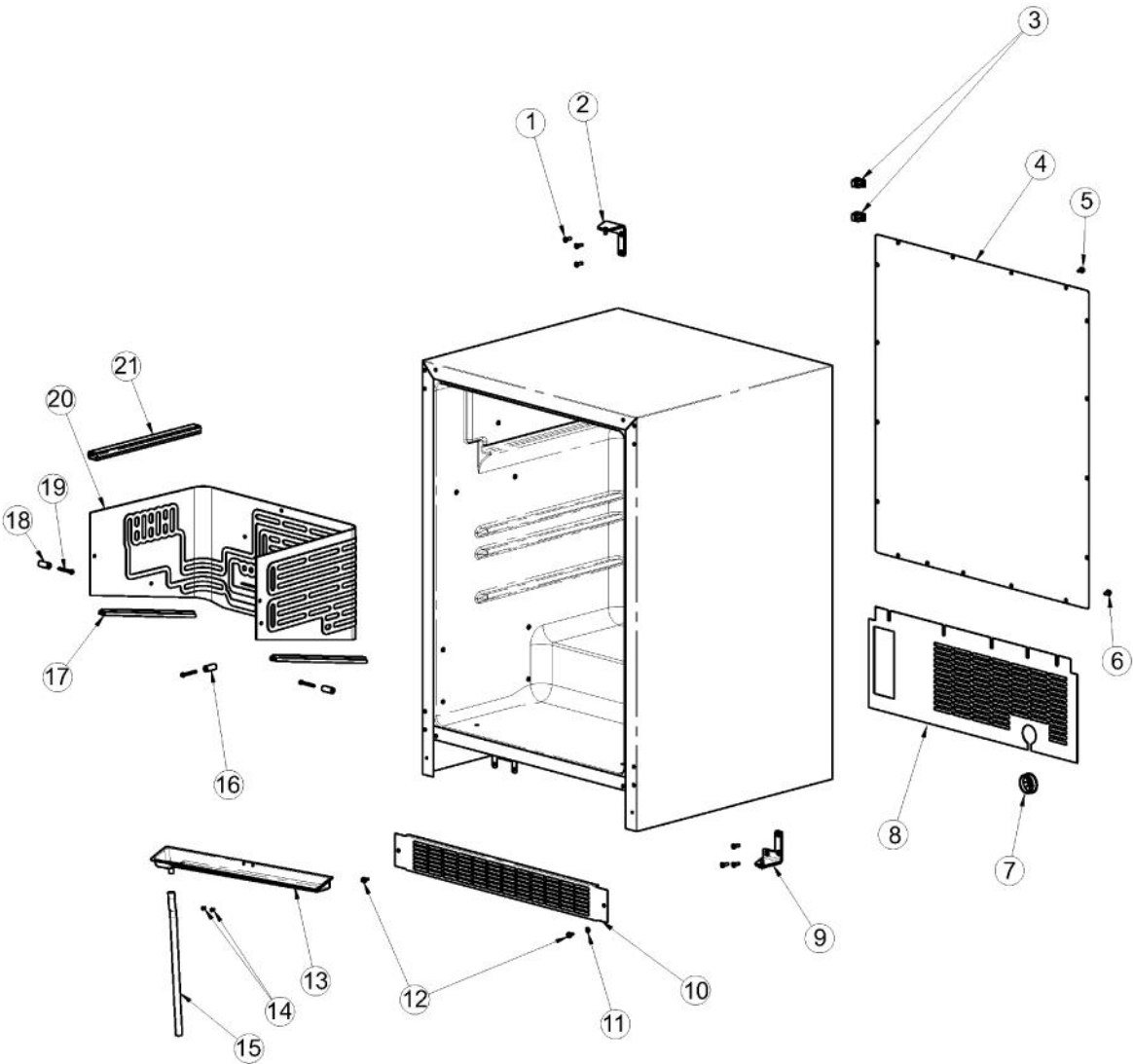
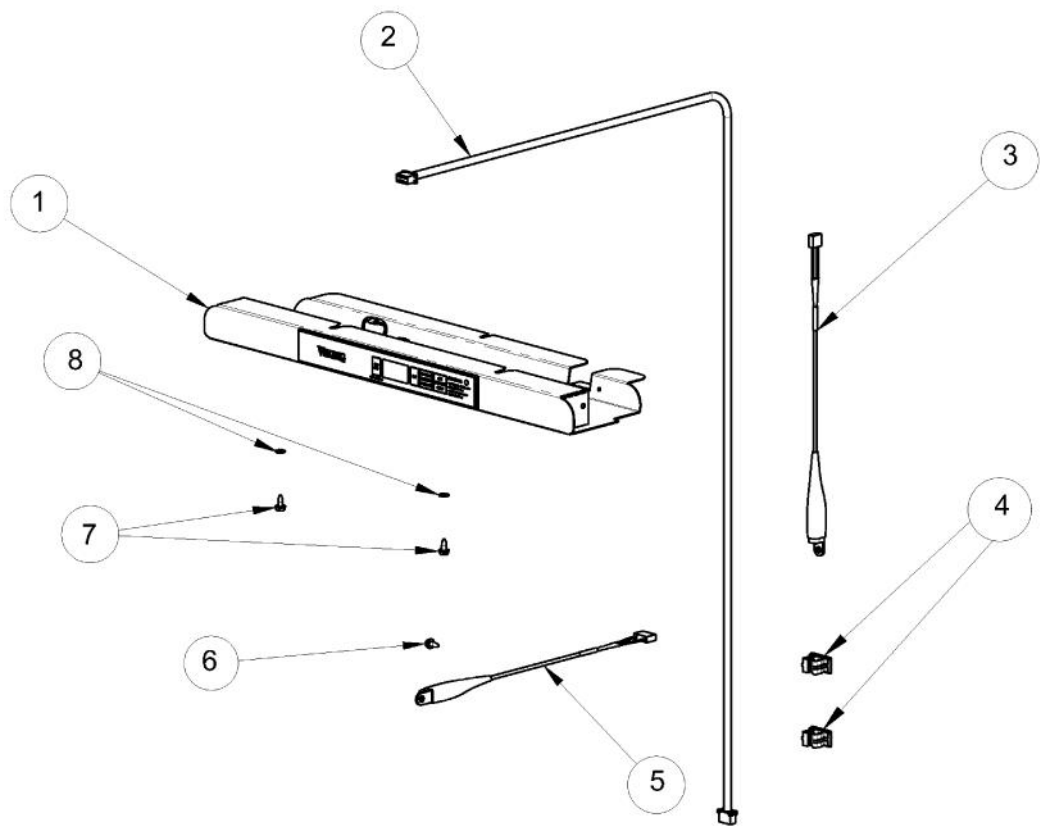


### CABINET AREA



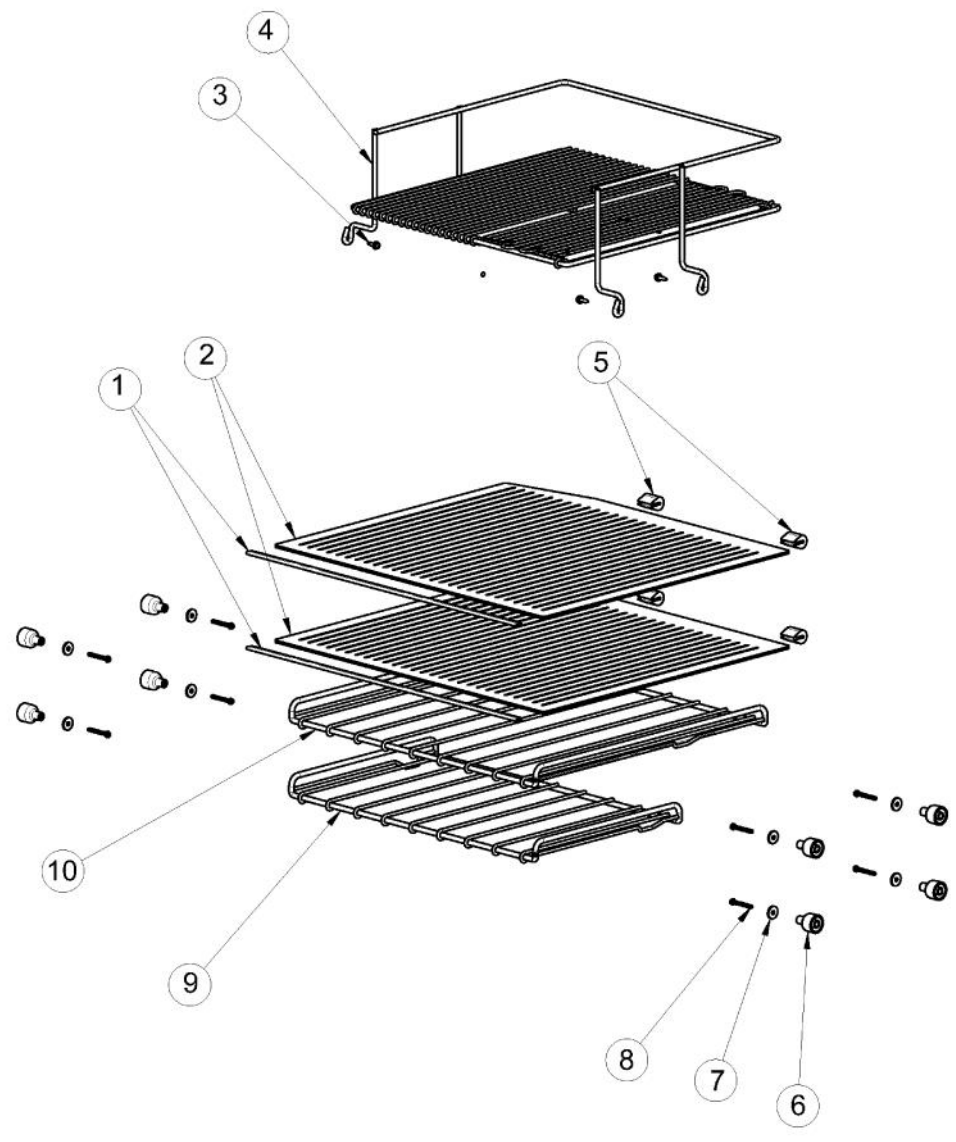
Ref #	Part Number	Qty.	Description
2	010221-000	1	DOOR HINGE, RIGHT TOP - SS
1	010223-000	6	SCREW, NO.10-32 X .75 COUNTERSUNK, SS
3	007640-000	2	PLASTIC WIRE CLIP
4	010064-000	1	BACK PANEL - SS
5	010065-000	12	SCREW - SS
6	010066-000	5	SCREW, NO.10 X 5/8 HEX HEAD, SS
7	009487-000	1	BUSHING
8	010063-000	1	BACK SHROUD - SS
9	010244-000	1	HINGE, RIGHT BOTTOM - SS
10	010070-000	1	LOUVERED GRILLE, SS
11	010069-000	2	LOCK WASHER
12	010068-000	2	SCREW - BK
13	PW210012	1	DRIP TRAY & 2 POP RVT(VUWC)42242603
14	PW200019	2	POP RIVET
15	PW240018	1	DRAIN TUBE (VUWC140) X 1010042A
16	PW200014	1	3/4 WHITE SPACER (41002929)
17	005828-000	2	EVAPORATOR TRIM XWHX - 42241383
18	PW200009	2	EVAPORATOR SPACER
19	PW300267	8	DRAFT TOWER MOUNTING SCREW (41006739) VUBD
20	009496-000	1	EVAPORATOR ASSEMBLY - WH
21	009497-000	1	HIGH VOLTAGE CONDUIT
NI	PW240014	1	LIGHT BULB 15 WATT VUWC 2240004A
NI	010053-000	1	LIGHT SOCKET
NI	010054-000	1	LIGHT HARNESS
NI	010031-000	4	LEVELING LEG

### CONTROL AREA



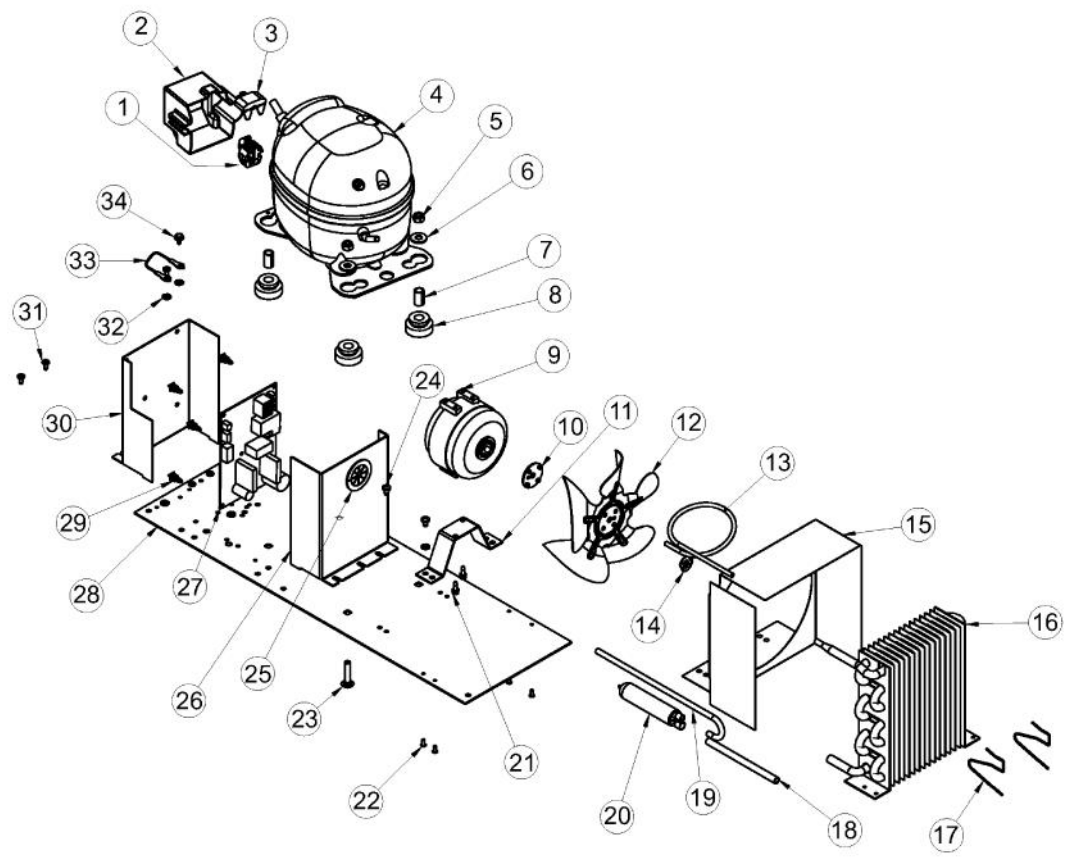
Ref #	Part Number	Qty.	Description
1	028589-000	1	DISPLAY ASM WH, 24 BC SOLID DR. T (INC. WIRE SHELF)
	028593-000	1	DISPLAY ASM WH, 24 BC SOLID DR. T (UNITS BUILT AFTER...
2	009482-000	1	COMMUNICATION CABLE
3	009483-000	1	EVAPORATOR TEMPERATURE THERMISTOR
4	007640-000	2	PLASTIC WIRE CLIP
5	009484-000	1	DISPLAY TEMPERATURE THERMISTOR
6	010057-000	1	SCREW, NO.6-20 X .75 SS
7	009485-000	2	MACHINE SCREW - SS
8	009486-000	2	NO.10 EXTERNAL TOOTH STAR WASHER, SS

# INTERIOR SHELVING



Ref #	Part Number	Qty.	Description
1	PW230059	2	FRONT GUARD TRIM (41005449)
2	PW210022	2	LARGE GLASS SHELF & TRIM 42243083
3	PW200015	4	SCREWS 08205079
4	009498-000	1	WIRE SHELF - CHROME
5	009500-000	2	1 BUMPER - WH
6	009502-000	8	SUPPORT MOUNTING PEG - WH
7	009504-000	8	SUPPORT PEG WASHER - WH
8	PW300267	2	DRAFT TOWER MOUNTING SCREW (41006739) VUBD
9	009505-000	1	UPPER WINE SHELF - CHROME
10	009506-000	1	LOWER WINE SHELF - CHROME

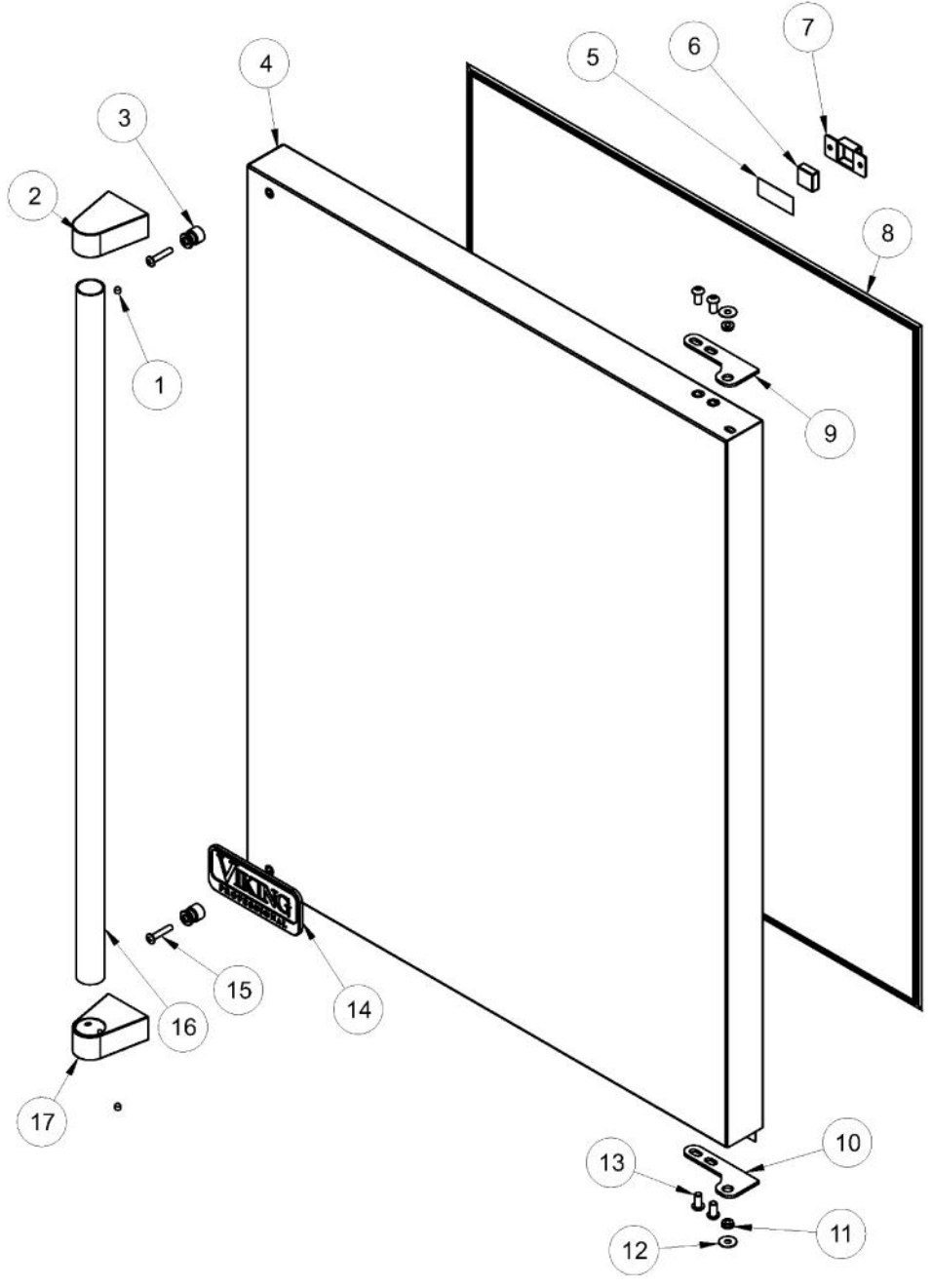
# LOWER UNIT AREA



Ref #	Part Number	Qty.	Description
1	N/A	1	HEAT SHIELD - MUST ORDER ITEM NO. 11
2	N/A	1	HEAT SHIELD - MUST ORDER ITEM NO. 11
3	N/A	1	HEAT SHIELD - MUST ORDER ITEM NO. 11
4	009508-000	1	COMPRESSOR ASSEMBLY
5	PW200017	3	LOCK NUT .25-.20 UNC
6	PW200018	4	.312 ID FLAT WASHER
7	010209-000	4	SLEEVE (INCLUDED WITH COMPRESSOR)
8	010208-000	4	SLEEVE (INCLUDED WITH COMPRESSOR)
9	PW240005	1	FAN/MTR ASSY COMPLETE VUWC
10	009831-000	1	SILENCER (INCLUDED W/FAN)
11	009633-000	1	FAN MOTOR BRACKET
12	PW200037	1	FAN BLADE
13	007638-000	1	COPPER TUBING
14	PW240005	1	FAN/MTR ASSY COMPLETE VUWC
15	PW210013	1	FAN SHROUD (VUWC140) 42241349
16	PW300159	1	CONDENSER ASSY
17	009812-000	2	SHROUD CLIP
18	009810-000	1	DRYER TUBE
19	009808-000	1	COPPER TUBE (42247551)
20	PW240003	1	DRIER ASSY VUWC140
21	009509-000	3	NO.8-36 SCREW
22	PW200019	4	POP RIVET
23	PW200023	3	CARRIAGE BOLT
24	PW200021	4	SCREW
25	009487-000	1	BUSHING
26	009805-000	1	OUTDOOR COVER BRKT
27	009511-000	1	ELECTRONIC CONTROL BOARD
28	PW210011	1	BASEPLATE (VUWC140)
29	009513-000	5	STANDOFF
30	009514-000	1	CONTROL BOARD MOUNTING BRACKET
31	PW200029	4	SCREW
32	PW300274	2	WASHER, INDOOR
33	PW300137	1	GROUND WIRE (VUIM150)
34	PW200028	2	HEX HEAD SCREW
NI	PS100134	1	POWER CORD REF. DRAWER
NI	PS100023	1	RUN CAPACITOR (42245134) 152 WC



# SOLID DOOR



Ref #	Part Number	Qty.	Description
1	009644-000	2	SET SCREW
2	009669-000	2	END CAP W/SET SCREW
3	009641-000	2	VIKING HANDLE STAND-OFF STUD
4	009526-000	1	DOOR ASSEMBLY - RH, WH DR, WH GKT
	009527-000	1	DOOR ASSEMBLY - LH, WH DR, WH GKT
5	009762-000	1	3M TAPE, 1.75
6	009759-000	1	DOOR SWITCH MAGNET
7	010668-000	1	RETAINER, MAGNET
8	PW230005	1	GASKET, DOOR (VUWC140) X 42241280
9	009780-000	1	OUTER CHUTE DOOR SKIN
10	009757-000	1	HINGE ADAPTER, BOTTOM, SS
11	009755-000	2	HINGE BUSHING
12	009781-000	2	INNER CHUTE DOOR SKIN
13	010212-000	4	SCREW, 1/4-20 SS
14	PW230007	1	NAMEPLATE, PRO
15	PW300163	2	SCREW (VUIM150) 42243357
16	009519-000	1	HANDLE TUBE, SS
17	010211-000	1	END CAP BOT W/SS