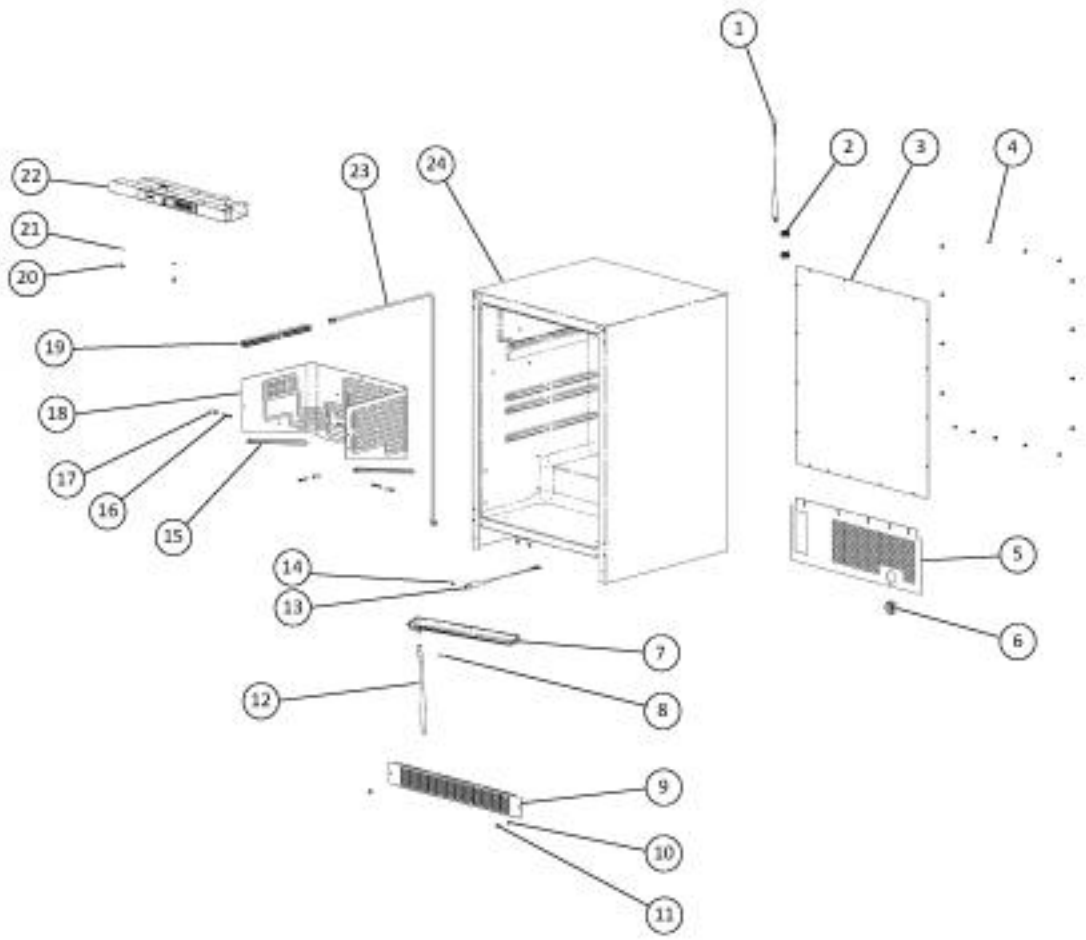


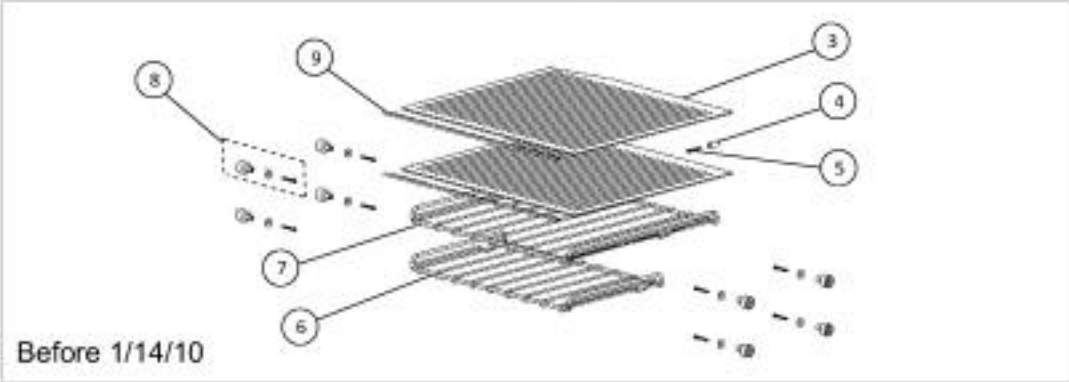
Ref #	Part Number	Qty.	Description
1	028352-000	1	MAGNET
2	028353-000	1	MAGNET SWITCH RETAINER
3	022265-000	2	NO.8 X 3/4 BLACK SCREW
4	022248-000	4	1/4-20 X 1/2 BUTTON HEAD CAP SCREW
5	028355-000	1	TOP HINGE ADAPTER, R.H. DOOR (SHOWN)
5	022900-000	1	TOP HINGE ADAPTER, LEFT HAND
6	022414-000	1	BEARING, HINGE PIN UPPER
7	028354-000	1	TOP HINGE PIN
8	022415-000	1	UPPER DOOR HINGE R.H.
9	022416-000	2	UPPER DOOR HINGE L.H.
10	022252-000	6	10-32 X 3/4 COUNTERSUNK SCREW
11	PW230124	1	MAGNETIC GASKET, BLACK
11	022417-000	1	BOTTOM DOOR HINGE, R.H.
12	022420-000	1	BOTTOM DOOR HINGE, L.H.
13	022240-000	1	LOWER HINGE PIN
14	026709-000	1	RIGHT HAND DOOR ASSEMBLY, CLEAR, VUAR1441CRSS
14	026710-000	1	LEFT HAND DOOR ASSEMBLY, FLUTED, VUAR1441FLSS
14	026711-000	1	LEFT HAND DOOR ASSEMBLY, CLEAR, VUAR1441CLSS
14	026712-000	1	RIGHT HAND DOOR ASSEMBLY, FLUTED, VUAR1441FRSS
15	022423-000	1	DOOR CLOSER CAM FOLLOWER
17	022437-000	1	STANDOFF BOTTOM
17	022427-000	1	DOOR STOP, L.H.
17	022424-000	1	SCREW : 4MM X 10MM
18	022436-000	2	10-32 X 1/4? SET SCREW
19	028394-000	1	DOOR HANDLE
20	022438-000	1	STANDOFF TOP
21	022434-000	2	NO.10-32 X 1? TRUSS HEAD MACHINE SCREW
22	009521-000	2	STANDOFF STUD



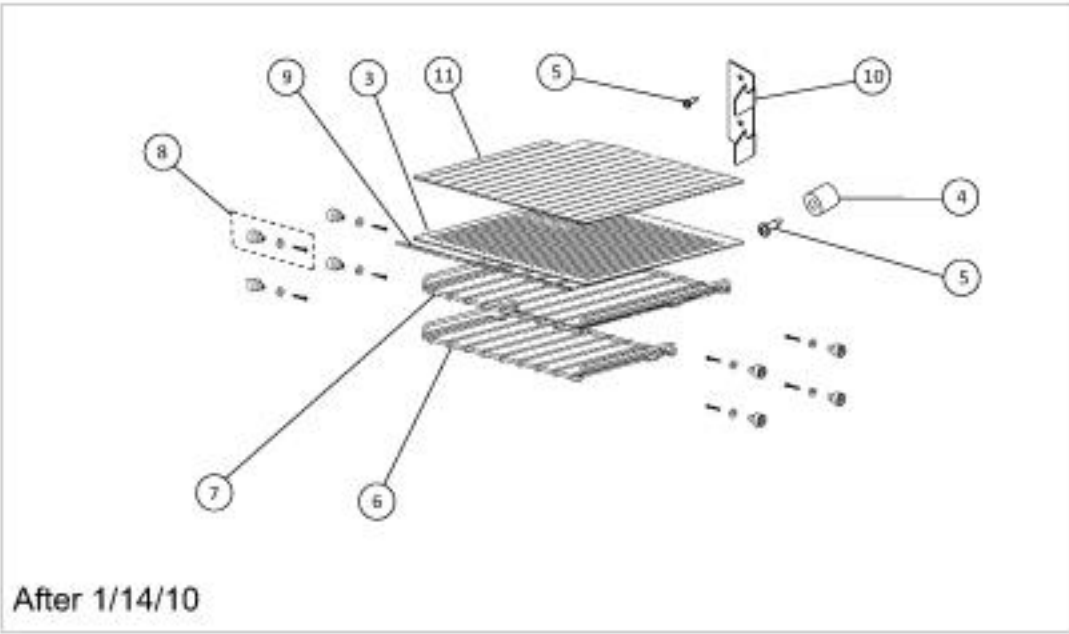
Ref #	Part Number	Qty.	Description
1	009483-000	1	EVAPORATOR TEMPERATURE THERMISTOR
2	022359-000	2	FASTEX CLAMP
3	022348-000	1	BACK PANEL
4	028356-000	24	NO.10 X 1/2? TYPE AB HEX WASHER HEAD SCREW
5	022349-000	1	BACK SHROUD, GALVANIZED STEEL
6	022354-000	1	HEYCO BUSHUNG
7	PS100083	1	DRIP TRAY, BLACK 142 WC 42244429
8	022401-000	2	POP RIVET NO.AD43ABS ALUMINUM
9	022357-000	1	BLACK GRILLE
10	022358-000	2	NO.12 EXTERNAL TOOTH STAR WASHER
11	022361-000	2	NO.12X 3/4 BLACK TYPE A SCREW
12	028357-000	1	DRAIN TUBE, BLACK
13	009484-000	1	DISPLAY TEMPERATURE THERMISTOR
14	028358-000	1	NO.6-20 X 3/4 TYPE AB SCREW
15	028359-000	2	EVAPORATOR TRIM
16	028360-000	3	NO.10 X 2? PH PAN HEAD SS SCREW
16	028361-000	3	NO.8 X 2? TYPE AB HEX HEAD SCREW
17	028362-000	1	BLACK SPACER, .75? LONG
17	022352-000	3	BLACK SPACER, 1.00? LONG
17	028363-000	2	BLACK SPACER, 1.28? LONG
18	028364-000	1	EVAPORATOR ASSEMBLY
19	028365-000	1	HV CONDUIT
20	022440-000	2	NO.10 X 5/8 HEX HEAD SCREW
21	022478-000	2	NO.10 EXTERNAL TOOTH STAR WASHER, SS
22	028592-000	1	DISPLAY ASM BK, 24 BC GLASS DR. (UNITS BUILT AFTER 01...
23	009482-000	1	COMMUNICATION CABLE
24	NON-SERVICEABLE	1	TUB WELDMENT



All

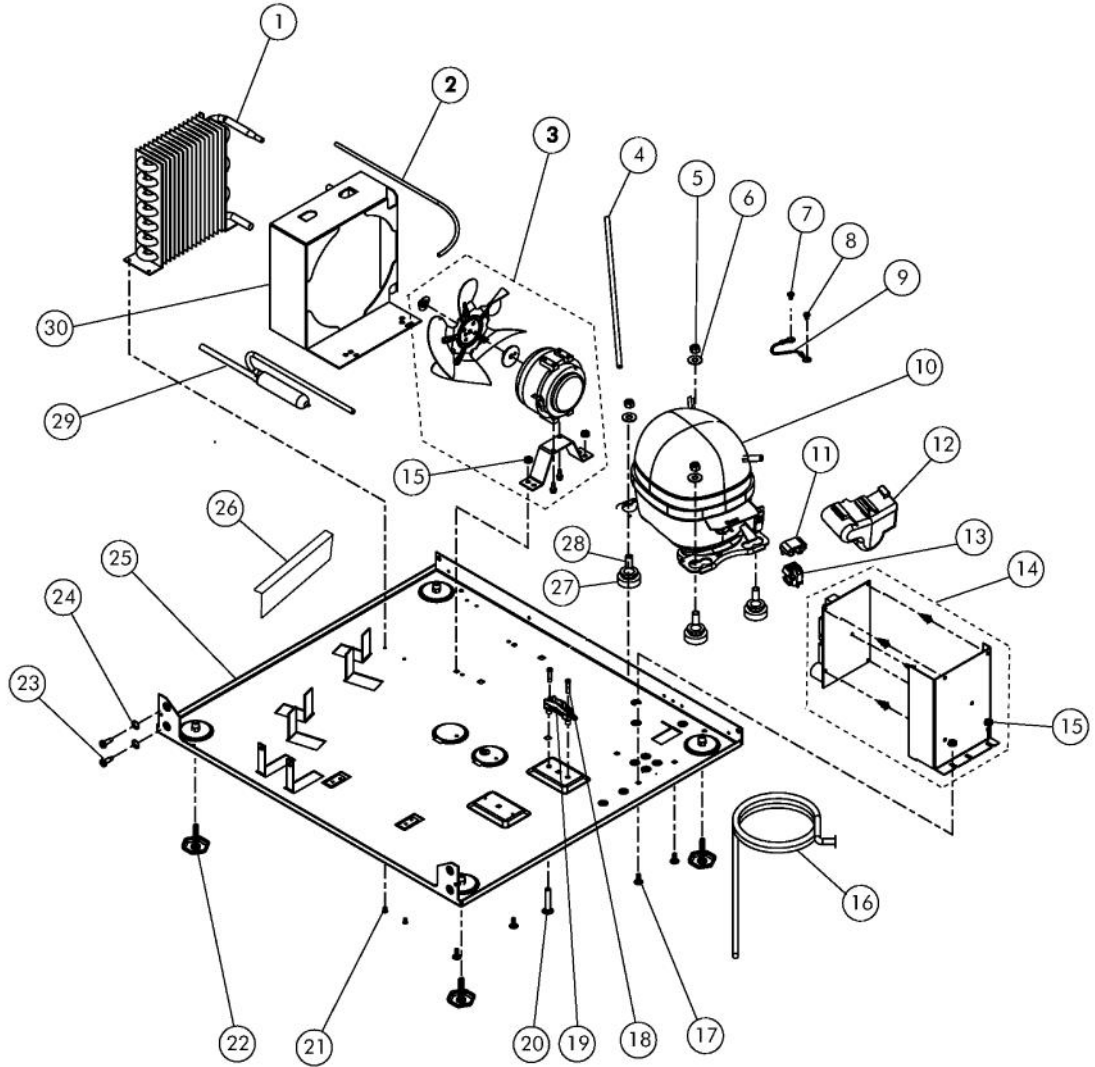


Before 1/14/10



After 1/14/10

Ref #	Part Number	Qty.	Description
1	028366-000	1	FOLDING WIRE SHELF
2	028367-000	4	NO.10 X 5/8? HEX HEAD SCREW
3	028368-000	2	GLASS SHELF
4	028369-000	3	RUBBER BUMPER, BLACK
5	028370-000	3	NO.8-18 X 1.25? SCREW, BLACK
6	028371-000	1	LOWER WINE SHELF, CHROME
7	028372-000	1	WINE SHELF, CHROME
8	028373-000	8	SHELF MOUNTING PEG KIT (W/SCREW & WASHER)
9	028374-000	2	GLASS SHELF TRIM
10	028375-000	1	SHELF RETAINING CLIP
11	028376-000	1	WIRE SHELF, CHROME



Ref #	Part Number	Qty.	Description
1	PW240004	1	CONDENSER, R-134A
2	022364-000	1	TUBING, .188 OD X 14 IN
3	PW300152	1	FAN MOTOR ASSY (VUIM150) 42244701
4	022406-000	1	PROCESS TUBE, 1/4 X 10?
5	022395-000	4	CONVECTION MOTOR
6	022388-000	4	FAN MOTOR
7	022883-000	1	NO.8-32 X 1/4 PHILLIPS PAN HEAD SCREW, GALVANIZED
8	022402-000	1	10-32 X 1/2 HEX WASHER HEAD SCREW
9	PW300137	1	GROUND WIRE (VUIM150)
10	NLA	1	CONDENSER
10	022949-000	1	COMPRESSOR
11	PS100020	1	OVERLOAD (42245133) 152 WC
12	022368-000	1	TERMINAL COVER
13	PS100021	1	PTC RELAY (42245131) 152 WC
14	022477-000	1	ELECTRONIC CONTROL AND BRACKET ASSEMBLY
15	022381-000	1	10-24 HEX KEPS NUT
16	028377-000	1	POWER CORD
17	022365-000	4	13 X 1/2 CARRIAGE BOLT
18	022380-000	2	POWER CORD CLAMP KIT (W/SCREWS)
19	022380-000	2	POWER CORD CLAMP KIT (W/SCREWS)
20	022815-000	4	CARRIAGE BOLT 1/4-20 X 1.25 UNC 2A
21	022401-000	4	POP RIVET NO.AD43ABS ALUMINUM
22	022366-000	4	LEG LEVELER
23	022252-000	4	10-32 X 3/4 COUNTERSUNK SCREW
24	022403-000	4	NO.10 COUNTERSUNK WASHER
25	022370-000	1	MECHANICAL BASEPLATE
26	022374-000	1	FRONT SHROUD
27	022908-000	4	GROMMET
28	022912-000	4	SLEEVE 2222006
29	PW240003	1	DRIER ASSY VUWC140
30	PW210013	1	FAN SHROUD (VUWC140) 42241349
NI	022378-000	1	HARNESS ASSEMBLY, AC LOAD
NI	022378-000	1	HARNESS ASSEMBLY, AC LOAD
NI	PS100023	1	RUN CAPACITOR (42245134) 152 WC
NI	022948-000	1	OVERLOAD PROTECTOR ASSEMBLY