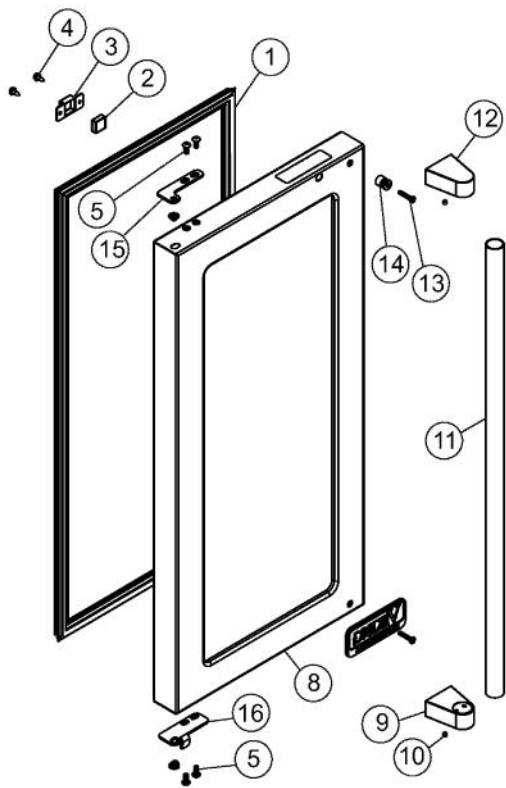
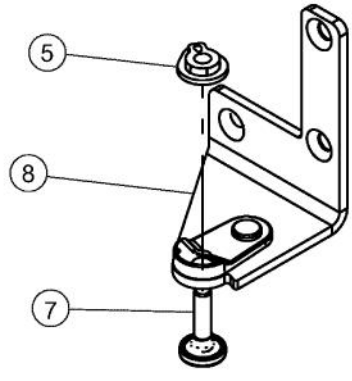
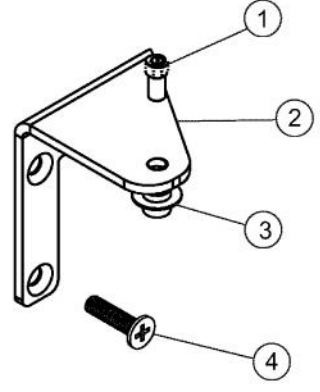
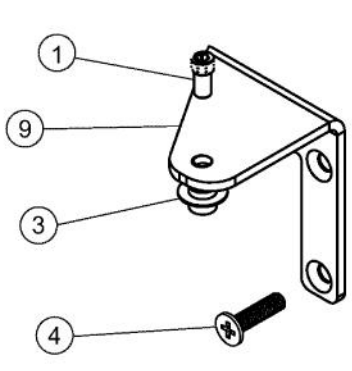


Right Hand Hinged Door

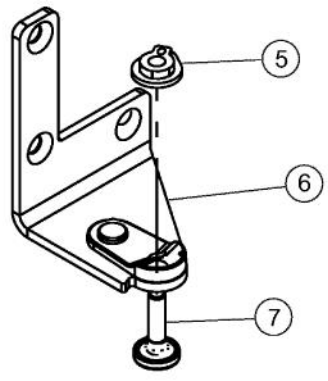


Left Hand Hinged Door

Ref #	Part Number	Qty.	Description
1	PW230119	1	DOOR GASKET (42243908)
2	028352-000	1	MAGNET
3	028353-000	1	MAGNET SWITCH RETAINER
4	022440-000	2	NO.10 X 5/8 HEX HEAD SCREW
5	022248-000	4	1/4-20 X 1/2 BUTTON HEAD CAP SCREW
6	028355-000	1	TOP HINGE ADAPTER, R.H. DOOR (SHOWN)
7	022427-000	1	DOOR STOP, L.H.
8	028466-000	1	RIGHT HAND DOOR ASSEMBLY, PRO, VUAR1541CRSS
8	028467-000	1	LEFT HAND DOOR ASSEMBLY, FLUTED, DUAR1541FLSS
9	022437-000	1	STANDOFF BOTTOM
10	028382-000	2	NO.10-32 X 5/16 CUP POINT SET SCREW
11	028394-000	1	DOOR HANDLE
12	022438-000	1	STANDOFF TOP
13	022434-000	2	NO.10-32 X 1? TRUSS HEAD MACHINE SCREW
14	009521-000	2	STANDOFF STUD
15	022900-000	1	TOP HINGE ADAPTER, LEFT HAND
16	022424-000	1	SCREW : 4MM X 10MM

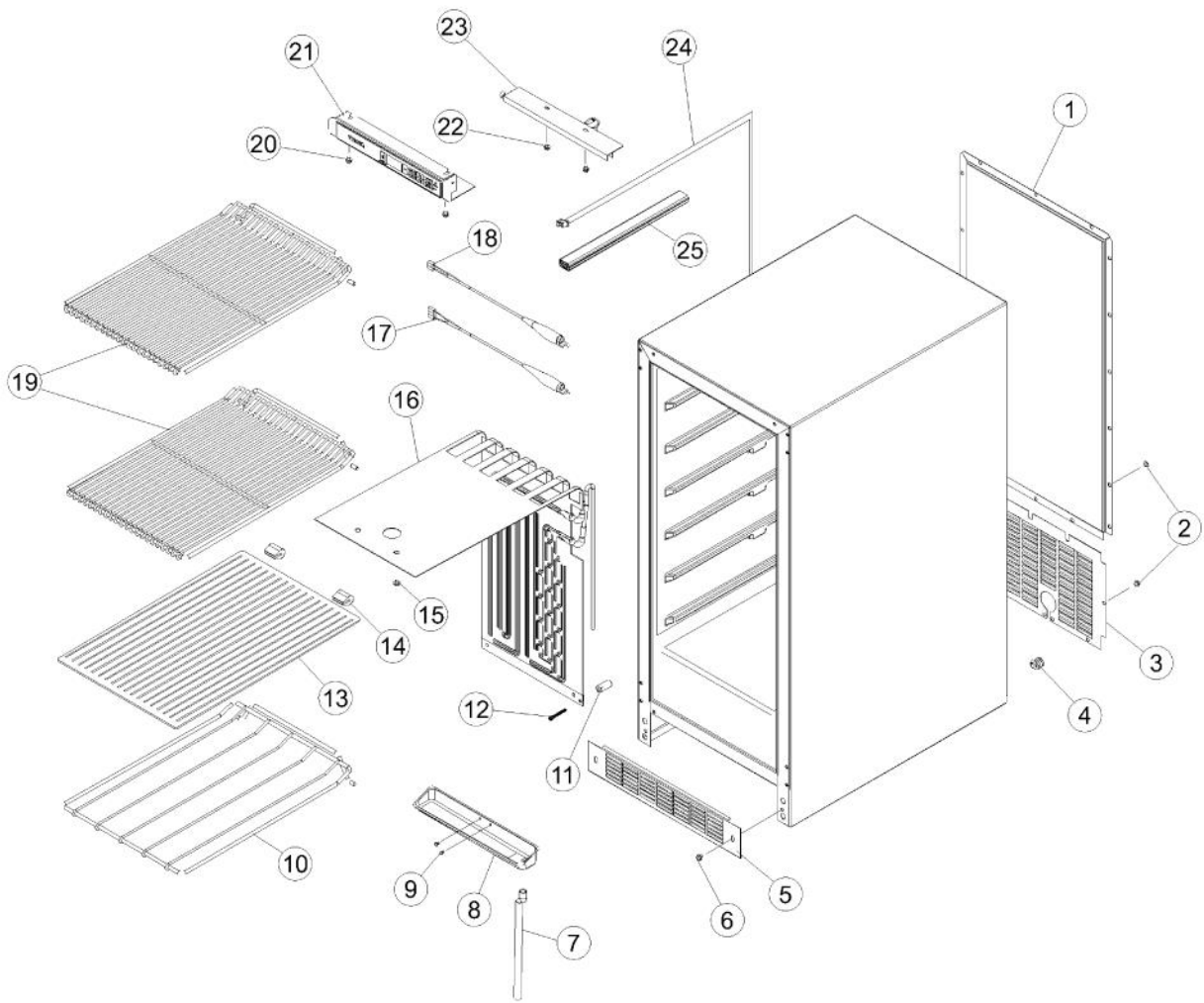


Right Hand

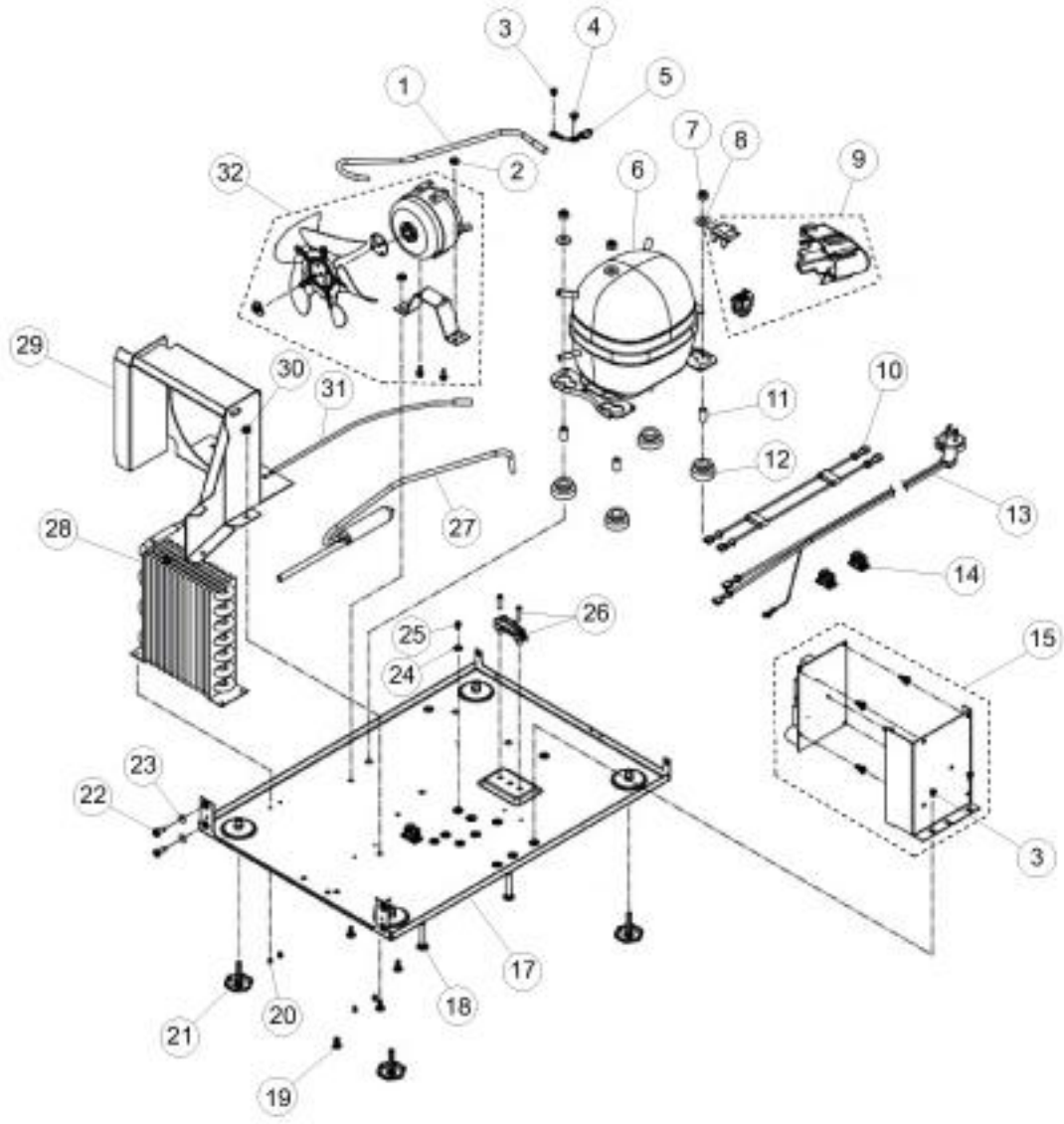


Left Hand

Ref #	Part Number	Qty.	Description
1	028354-000	1	TOP HINGE PIN
2	022416-000	1	UPPER DOOR HINGE L.H.
3	022414-000	1	BEARING, HINGE PIN UPPER
4	022252-000	6	10-32 X 3/4 COUNTERSUNK SCREW
5	022423-000	1	DOOR CLOSER CAM FOLLOWER
6	022420-000	1	BOTTOM DOOR HINGE, L.H.
7	022240-000	1	LOWER HINGE PIN
8	022417-000	1	BOTTOM DOOR HINGE, R.H.
9	022415-000	1	UPPER DOOR HINGE R.H.



Ref #	Part Number	Qty.	Description
1	028468-000	1	BACK PANEL
2	022440-000	24	NO.10 X 5/8 HEX HEAD SCREW
3	028469-000	1	ACCESS COVER
4	022446-000	1	STRAIN RELIEF BUSHING
5	028470-000	1	TOE GRILLE, BLACK
6	022361-000	2	NO.12X 3/4 BLACK TYPE A SCREW
7	PW240045	1	SERV. ASSY BLACK DRAIN TUBE 42244609
8	022461-000	1	DRIP TRAY, BLACK
9	022401-000	2	POP RIVET NO.AD43ABS ALUMINUM
10	028473-000	1	WINE SHELF
11	022352-000	3	BLACK SPACER, 1.00? LONG
12	022363-000	2	NO.8 X 1-1/2 TRUSS HEAD SCREW, SS
13	028471-000	1	GLASS SHELF
14	028472-000	2	BUMPER, BLACK
16	022485-000	1	EVAPORATOR ASSEMBLY, BLACK
17	009484-000	1	DISPLAY TEMPERATURE THERMISTOR
18	022444-000	1	EVAPORATOR TEMPERATURE SENSOR
19	005873-000	2	WIRE SHELF - CHROME
21	028583-000	1	DISPLAY ASM BK, 15 BC GLASS DR.
22	022440-000	2	NO.10 X 5/8 HEX HEAD SCREW
23	PS100007	1	AURA LIGHT ASSY (BLACK) 42245124
24	009482-000	1	COMMUNICATION CABLE
25	022481-000	1	WIRE CONDUIT
NI	NON-SERVICEABLE	1	TUB WELDMENT



Ref #	Part Number	Qty.	Description
1	028475-000	1	COPPER PROCESS TUBE, .25 OD X 19.00 LG
2	022381-000	4	10-24 HEX KEPS NUT
3	022883-000	4	NO.8-32 X 1/4 PHILLIPS PAN HEAD SCREW, GALVANIZED
4	022402-000	1	10-32 X 1/2 HEX WASHER HEAD SCREW
5	PW300137	1	GROUND WIRE (VUIM150)
6	028378-000	1	COMPRESSOR
7	022395-000	3	CONVECTION MOTOR
8	022388-000	4	FAN MOTOR
9	022948-000	1	OVERLOAD PROTECTOR ASSEMBLY
10	022373-000	1	WIRING HARNESS, COMPRESSOR
11	022912-000	4	SLEEVE 2222006
12	022908-000	4	GROMMET
13	028377-000	1	POWER CORD
14	022359-000	3	FASTEX CLAMP
15	022477-000	1	ELECTRONIC CONTROL AND BRACKET ASSEMBLY
17	028476-000	1	MECHANICAL BASEPLATE
18	022404-000	4	CARRIAGE BOLT 1/4-20 X 1.50 UNC 2A
19	022365-000	4	13 X 1/2 CARRIAGE BOLT
20	022356-000	4	1/8 POP RIVET
21	022366-000	4	LEG LEVELER
22	022252-000	4	10-32 X 3/4 COUNTERSUNK SCREW
23	022403-000	4	NO.10 COUNTERSUNK WASHER
24	022358-000	4	NO.12 EXTERNAL TOOTH STAR WASHER
26	022380-000	2	POWER CORD CLAMP KIT (W/SCREWS)
27	PW240030	1	DRIER (42242894)
28	028474-000	1	CONDENSER, R-134A
29	028477-000	1	FAN SHROUD
31	022772-000	1	COPPER DISCHARGE TUBE, .187 OD X 19.00LG
32	PW300152	1	FAN MOTOR ASSY (VUIM150) 42244701
NI	022380-000	2	POWER CORD CLAMP KIT (W/SCREWS)