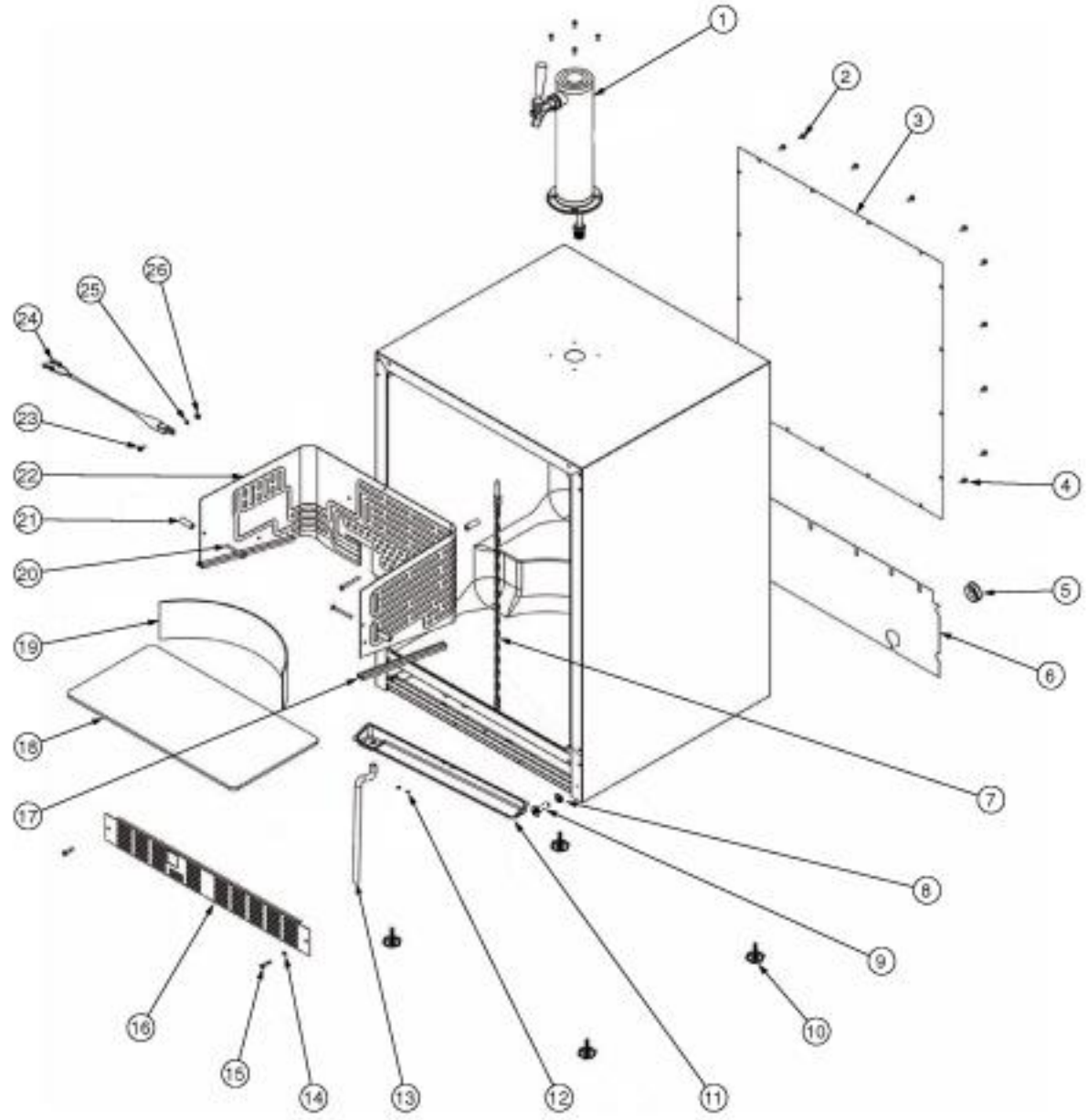
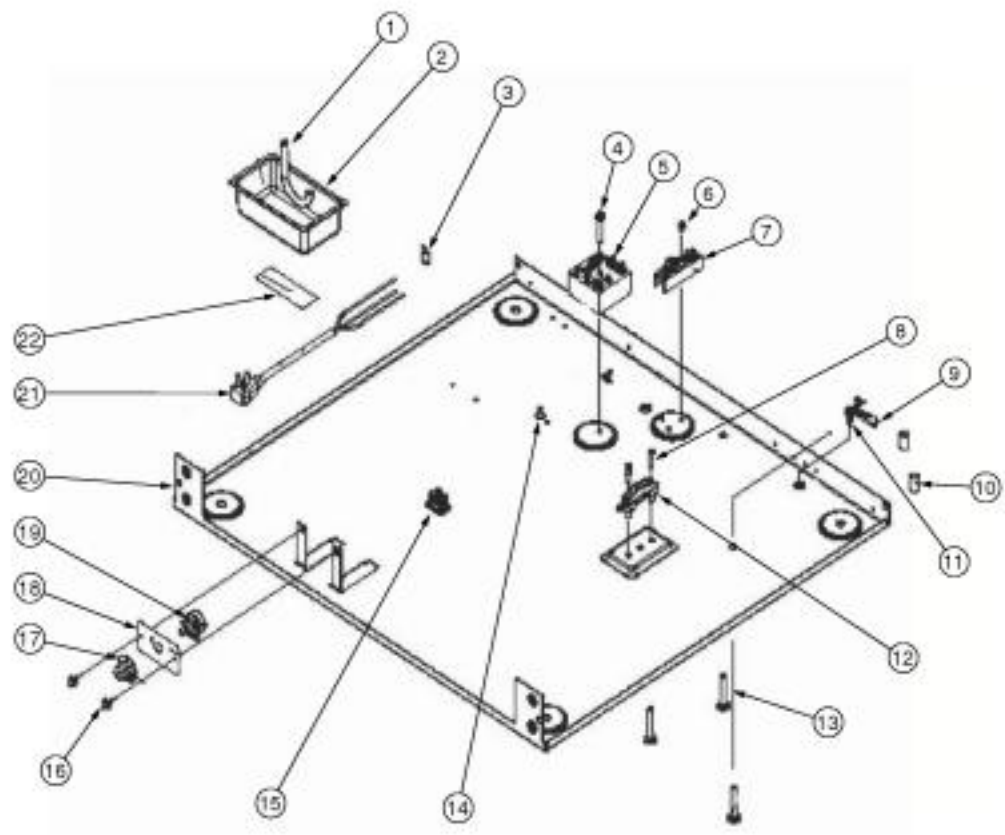


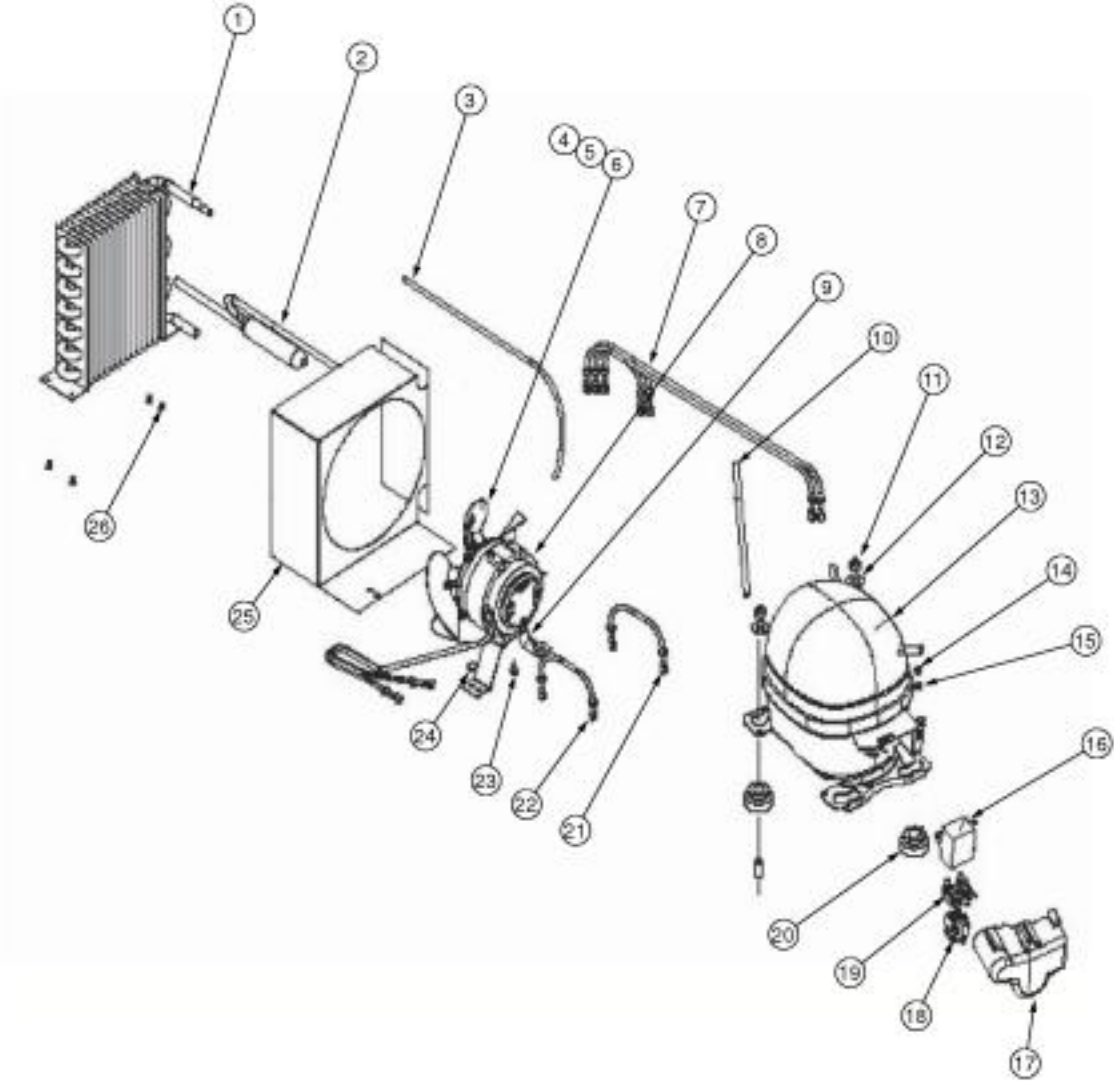
Ref #	Part Number	Qty.	Description
1	009519-000	1	HANDLE TUBE, SS
2	009669-000	1	END CAP W/SET SCREW
3	009641-000	2	VIKING HANDLE STAND-OFF STUD
4	022727-000	1	DOOR ASSY, RH SS (DOES NOT INCLUDE HANDLE OR HIN...
NI	022728-000	1	DOOR ASSY, LH SS (DOES NOT INCLUDE HANDLE OR HING...
5	009523-000	1	DOOR GASKET - WH
6	009760-000	1	HINGE ADAPTER, TOP, SS
7	009757-000	1	HINGE ADAPTER, BOTTOM, SS
8	009755-000	2	HINGE BUSHING
9	009761-000	2	WASHER, NYLON
10	010212-000	4	SCREW, 1/4-20 SS
11	PW230007	1	NAMEPLATE, PRO
12	009643-000	2	SCREW
13	009644-000	2	SET SCREW
14	010211-000	1	END CAP BOT W/SS
NI	010221-000	1	DOOR HINGE, RIGHT TOP - SS
NI	010244-000	1	HINGE, RIGHT BOTTOM - SS
NI	022729-000	1	HINGE PIN, TOP
NI	022730-000	1	HINGE PIN, BOTTOM
NI	010223-000	6	SCREW, NO.10-32 X .75 COUNTERSUNK, SS



Ref #	Part Number	Qty.	Description
1	022731-000	1	TAP TOWER, SS (SCREWS INCLUDED)
2	NON-SERVICEABLE	12	TUB WELDMENT
3	022732-000	1	BACK PANEL, SS
4	NON-SERVICEABLE	11	TUB WELDMENT
5	NON-SERVICEABLE	1	TUB WELDMENT
6	022734-000	1	BACK SHROUD, SS
7	022735-000	1	CO2 TANK RESTRAINT
8	NON-SERVICEABLE	4	TUB WELDMENT
9	010236-000	4	10-32 X 3/4? PHILLIPS COUNTERSUNK SCREW, ZN
10	010031-000	4	LEVELING LEG
11	022736-000	1	DRIP TRAY, WHITE
12	NON-SERVICEABLE	2	TUB WELDMENT
13	022737-000	1	DRAIN TUBE, WHITE
14	010069-000	1	LOCK WASHER
15	010068-000	2	SCREW - BK
16	022738-000	1	GRILLE, STAINLESS STEEL
17	009493-000	2	EVAPORATOR TRIM - WH
18	022739-000	1	FLOOR SHIELD, WHITE
19	022740-000	1	WALL SHIELD, WHITE
20	PW200007	3	SCREW, EVAPOR. (VUWC140)X 08204902
21	PW200009	3	EVAPORATOR SPACER
22	022741-000	1	EVAPORATOR ASSEMBLY, WHITE
23	009485-000	1	MACHINE SCREW - SS
24	022742-000	1	THERMOSTAT THERMISTOR
25	009486-000	1	NO.10 EXTERNAL TOOTH STAR WASHER, SS
26	NON-SERVICEABLE	1	TUB WELDMENT



Ref #	Part Number	Qty.	Description
1	022751-000	1	?J? TRAP
2	010078-000	1	DRIP PAN
3	NON-SERVICEABLE	1	TUB WELDMENT
4	NON-SERVICEABLE	1	TUB WELDMENT
5	022743-000	1	SSAC THERMOSTAT CONTROL
6	PW200029	1	SCREW
7	022744-000	1	TERMINAL BLOCK, ELECTRON, ESBI-3-5
8	NON-SERVICEABLE	2	TUB WELDMENT
9	010353-000	1	GROUND WIRE
10	NON-SERVICEABLE	4	TUB WELDMENT
11	NON-SERVICEABLE	1	TUB WELDMENT
12	022745-000	1	CLAMP, POWER CORD
13	PW200023	4	CARRIAGE BOLT
14	010062-000	2	CARRIAGE BOLT
15	007640-000	1	PLASTIC WIRE CLIP
16	009924-000	2	WASHER HD SCREW - ZN
17	022746-000	1	THERMOSTAT KNOB
18	022747-000	1	POTENTIOMETER MOUNTING BRACKET
19	022748-000	1	SSAC THERMOSTAT POTENTIOMETER
20	022749-000	1	BASEPLATE, UNDERCOUNTER UNIT
21	022750-000	1	POWER CORD
22	010079-000	1	TAPE - WH



Ref #	Part Number	Qty.	Description
1	010243-000	1	CONDENSER
2	022752-000	1	DRIER ASSEMBLY
3	007638-000	1	COPPER TUBING
4	009831-000	1	SILENCER (INCLUDED W/FAN)
5	022753-000	1	SPEED NUT
6	010248-000	1	FAN BLADE
7	010038-000	1	WIRE HARNESS
8	010249-000	1	FAN MOTOR
9	009633-000	1	FAN MOTOR BRACKET
10	022754-000	1	TUBING, .250 X 6.25
11	PW200017	4	LOCK NUT .25-.20 UNC
12	PW200018	4	.312 ID FLAT WASHER
13	010350-000	1	COMPRESSOR ASSEMBLY
14	009515-000	1	NO.10-32 X 1/2 HEX WASHER HEAD SCREW
15	007641-000	1	NO.10 EXTERNAL TOOTH LOCKWASHER
16	010239-000	1	RUN CAPACITOR
17	009507-000	1	RELAY COVER
18	010352-000	1	RELAY
19	010351-000	1	OVERLOAD
20	010036-000	4	GROMMET (COMES WITH COMPRESSOR)
21	NON-SERVICEABLE	1	TUB WELDMENT
22	NON-SERVICEABLE	1	TUB WELDMENT
23	009509-000	2	NO.8-36 SCREW
24	NON-SERVICEABLE	2	TUB WELDMENT
25	010071-000	1	FAN SHROUD
26	PW200019	4	POP RIVET
NI	PW300256	1	OVER FILL CONTAINER (CK-034A)