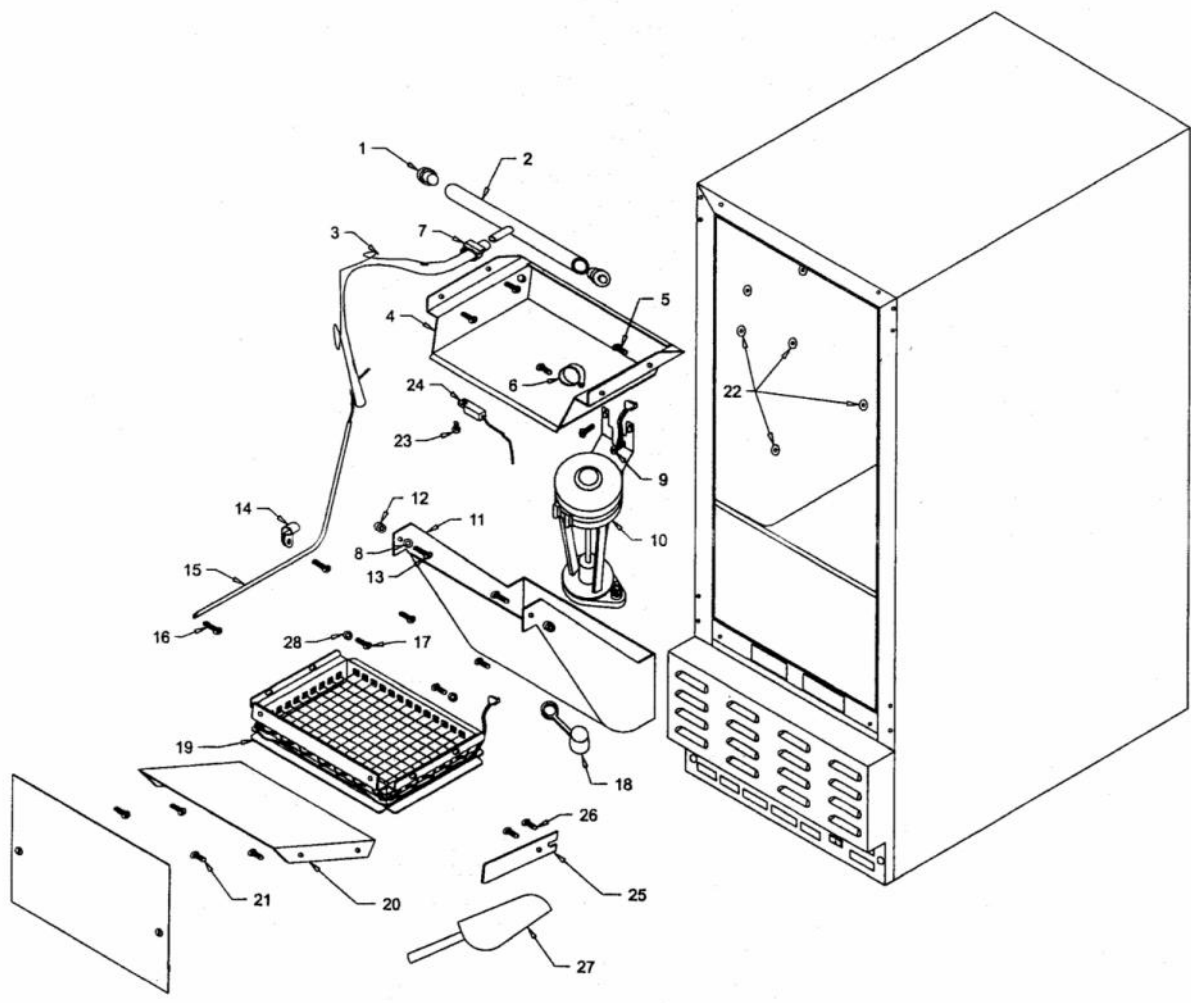
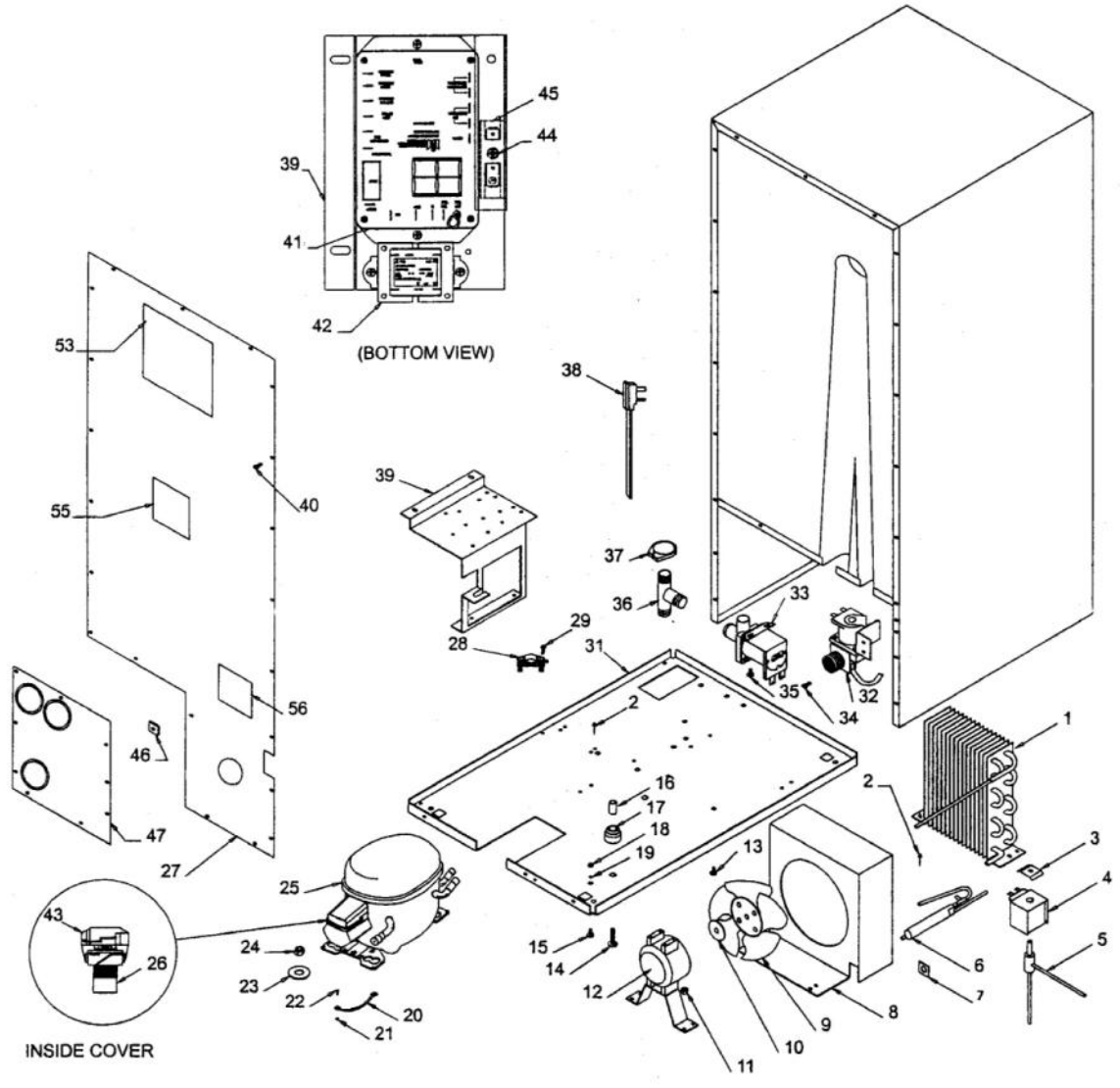


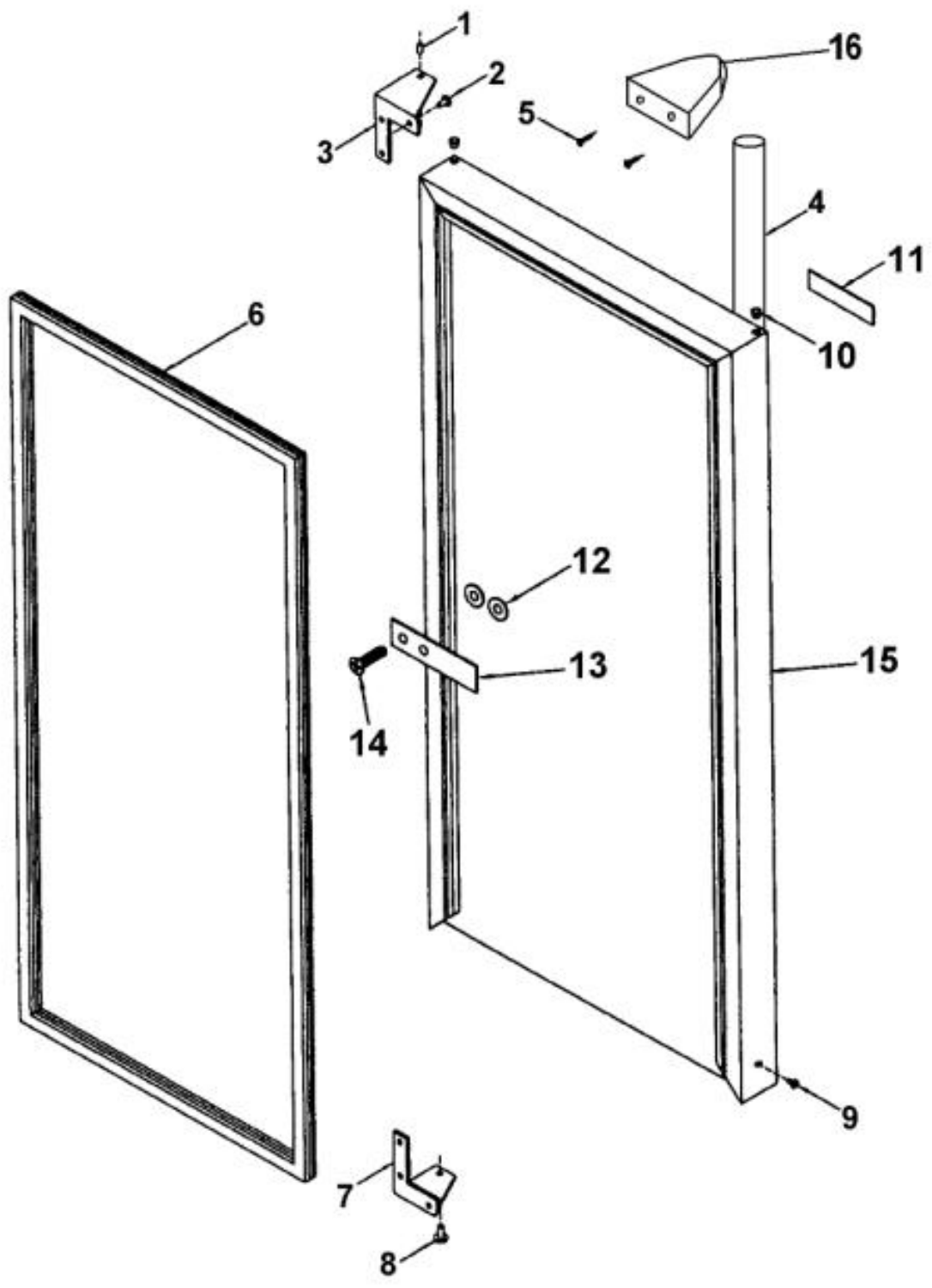
Ref #	Part Number	Qty.	Description
1	Not Replaceable		CABINET ASSEMBLY
2	PW300268		HOLE PLUG (42242846)
3	part of item No.4		SCREW
4	PW300157		ESCUTHEON PNL/SCREW 42242989
5	PW300269		GRILLE, SS TOP (42245191)
	G9096974FG		GRILLE ASSY 15 ICEMAKER XFGX
	G9096974GG		GRILLE ASSY 15 ICEMAKER XGGX
	G9096974VB		GRILLE ASSY 15 ICEMAKER XVBX
6	PW300270		GRILLE, SS BOTTOM (OUTDOOR)
7	PW300158		ON/OFF CLEAN SWITCH (VUIM) 42242992
8	PW300272		SCREW, GRILLE
9	PW300273		WASHER
10	PW300156		ICE SCOOP (VUIM150) 42242993
11	PW300275		TRIM PANEL ASSEMBLY (OUTDOOR) 42244709
12	PW300163		SCREW (VUIM150) 42243357
13	PW300276		LEG LEVELER



Ref #	Part Number	Qty.	Description
1	PW300187		DISTRIBUTOR TUBE END (VUIM)42242977
2	PW300142		DISTRIBUTOR TUBE (VUIM150) 42242976
3	part of No.2		TUBING
4	PW300155		EVAPORATOR ASSY (VUIM150) 42242978
5	PW300163		SCREW (VUIM150) 42243357
6	part of No.4		CLAMP
7	part of No.2		HOSE CLAMP
8	part of No.11		WASHER
9	PW300163		SCREW (VUIM150) 42243357
10	PW300188		CIRCULATION PUMP VUIM 42242980
NI	025147-000	1	DRAIN PUMP
11	PW300189		RESERVOIR (VUIM150) 42242981
12	part of No.11		SPACER
13	part of No.11		SCREW
14	part of No.15		CLAMP
15	PW300183		THERMISTOR W/SLEEVE 42242986
			(BEFORE 08-08-07)
	006331-000		BIN THERMISTOR W/SLEEVE
			(AFTER 08-08-07)
16	PW300163		SCREW (VUIM150) 42243357
17	PW300163		SCREW (VUIM150) 42243357
18	PW300190		DRAIN PLUG (VUIM150) 42242982
19	PW300191		GRID CUTTER ASSY (VUIM) 42242984
20	PW300180		DFLCTOR W/SCREWS (VUIM150) 42242985
21	PW300163		SCREW (VUIM150) 42243357
22	PW300175		WELLNUT (VUIM150) 42242987
23	part of No.24		SCREW
24	PW300195		THERMISTOR 42243392
			(BEFORE 08-08-07)
	006330-000		EVAPORATOR THERMISTOR
			(AFTER 08-08-07)
25	PW300277		RETAINER CLIP
26	PW300163		SCREW (VUIM150) 42243357
27	PW300156		ICE SCOOP (VUIM150) 42242993
28	part of No.19		WASHER



Ref #	Part Number	Qty.	Description
1	PW300159		CONDENSER ASSY
2	PW300141		POP RIVET, SS (VUIM150) 42243617
3	PW300139		SOLENOID COIL (VUIM150) 42241490 NLA
4	part of No.3		SOLENOID COIL AND RETAINER
5	PW300149		HOT GAS VALVE
6	PW300162		DRIER ASSEMBLY (VUIM150) 42242961
7	part of No.12		SPEED NUT
8	PW300145		FAN SHROUD (VUIM150) 42242902
9	PW300151		FAN BLADE
10	part of No.12		SILENCER, SPACER
11	part of No.12		LOCKNUT W/ WASHER
12	PW300152		FAN MOTOR ASSY (VUIM150) 42244701
13	part of No.12		CARRIAGE BOLT
14	part of No.25		CARRIAGE BOLT
15	part of No.25		CARRIAGE BOLT
16	part of No.25		SLEEVE, COMPRESSOR
17	part of No.25		GROMMET, COMPRESSOR
18	part of No.25		LOCKNUT
19	PW300143		LOCK WASHER (VUIM150) 42243619
20	PW300279		GROUND WIRE, COMPRESSOR
21	PW300280		LOCK WASHER
22	PW300281		SCREW
23	part of No.25		WASHER
24	part of No.25		LOCKNUT
25	PW300193		COMPRESSOR ASSY (VUIM) 42245141
26	PW240007		PTC STARTER (VUWC140) 42242427
27	PW300174		BACK PANEL (VUIM150) 42242962
28	PW300170		POWER CORD CLAMP
29	part of No.28		SCREW
31	PW300173		BASE PLATE (42242964)
32	PW300184		WATER VALVE ASSY (VUIM150) 42242965
33	PW300185		DRAIN VALVE (VUIM150) 42242966
34	PW200004		SCREW LENS COVER 42243354
35	PW200004		SCREW LENS COVER 42243354
36	PW300176		TEE FITTING 42242967
37	part of No.36		HOSE CLAMP
38	PW300153		POWER CORD (VUIM150) 42242963
39	PW300146		BRACKET (VUIM150) 42242968
40	PW200004		SCREW LENS COVER 42243354
41	PW300194		ELECTRONIC BOARD 42243384 (BEFORE 08-08-07) ELECTRONIC CONTROL, SATURN (AFTER 08-08-07)
42	PW300154		TRANSFORMER (VUIM150) 42242973
43	PW300284		COMPRESSOR OVERLOAD (42244702)
44	PW300285		SCREW (100 PER PACK)
45	PW300186		TERMINAL BLOCK
46	PW300179		U-CLIP W/SCREWS (VUIM150) 42243015
47	PW300192		ACCESS PANEL ASSY (VUIM) 42243016



Ref #	Part Number	Qty.	Description
1	PW300239		HINGE PIN, TOP
2	PW300240		SCREW
3	PW300241		HINGE
4	PE930102		DR HNDLE VUIM150DR XSS CUT 24 5/8
	PE930102PVD		DOOR HANDLE (VUIM150DR) XBRX
5	PW300167		SCREW (VUIM150) 42243240
6	PW300265		DOOR GASKET (42243388) VUIM150
7	PW220004		HINGE KIT (VUWC140) X 42240881
8	PW300244		HINGE PIN, BOTTOM (42245708)
9	PW300245		SCREW PKG25 42242237
10	PW300246		HINGE BUSHING
11	PE010058		4 1/2LOGO/VIKING PROF XBKX (ADV
	PE010093		LOGO-4 1/2 (VIKING-XBKXXBRX ADHESIV
12	PW300247		WELLNUT
13	PW300248		RETAINER AND WELL NUTS 42242975
14	PW300163		SCREW (VUIM150) 42243357
15	B2096967		DOOR SKIN 15` ICE MAKER
	C9096967FG		DOOR PANEL (VUIM150)
	C9096967GG		DOOR PANEL (VUIM150)
	C9096967VB		DOOR PANEL (VUIM150)
16	PE030001		BRACKET, DOOR, HANDLE
	PE030001PVD		END CAP DOOR HANDLE XBR
No.	PW300252		DOOR ASSY. W/O FRAME (LH/RH)
No.	PW300253		VUIM150DLSS WITH FRAME 42243727
No.	PW300254		VUIM150DRSS WITH FRAME 42243728