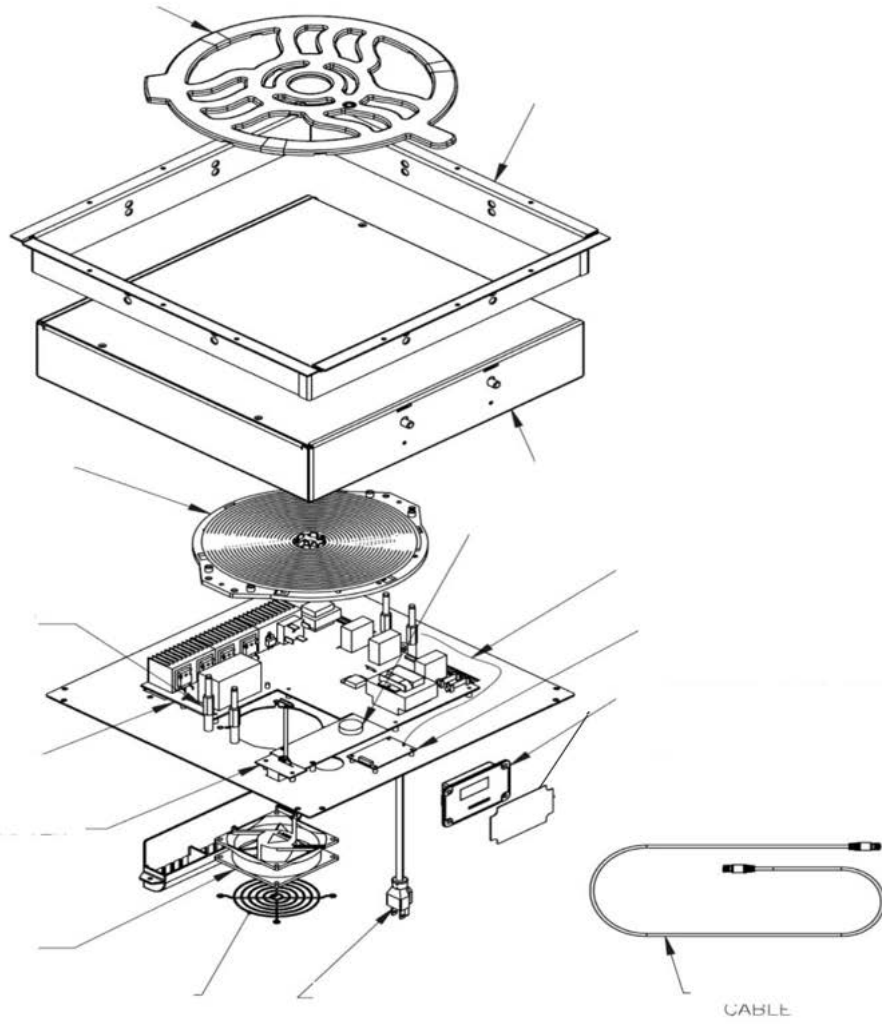


VUIW518 Incogneeto Warmer

Parts breakdown

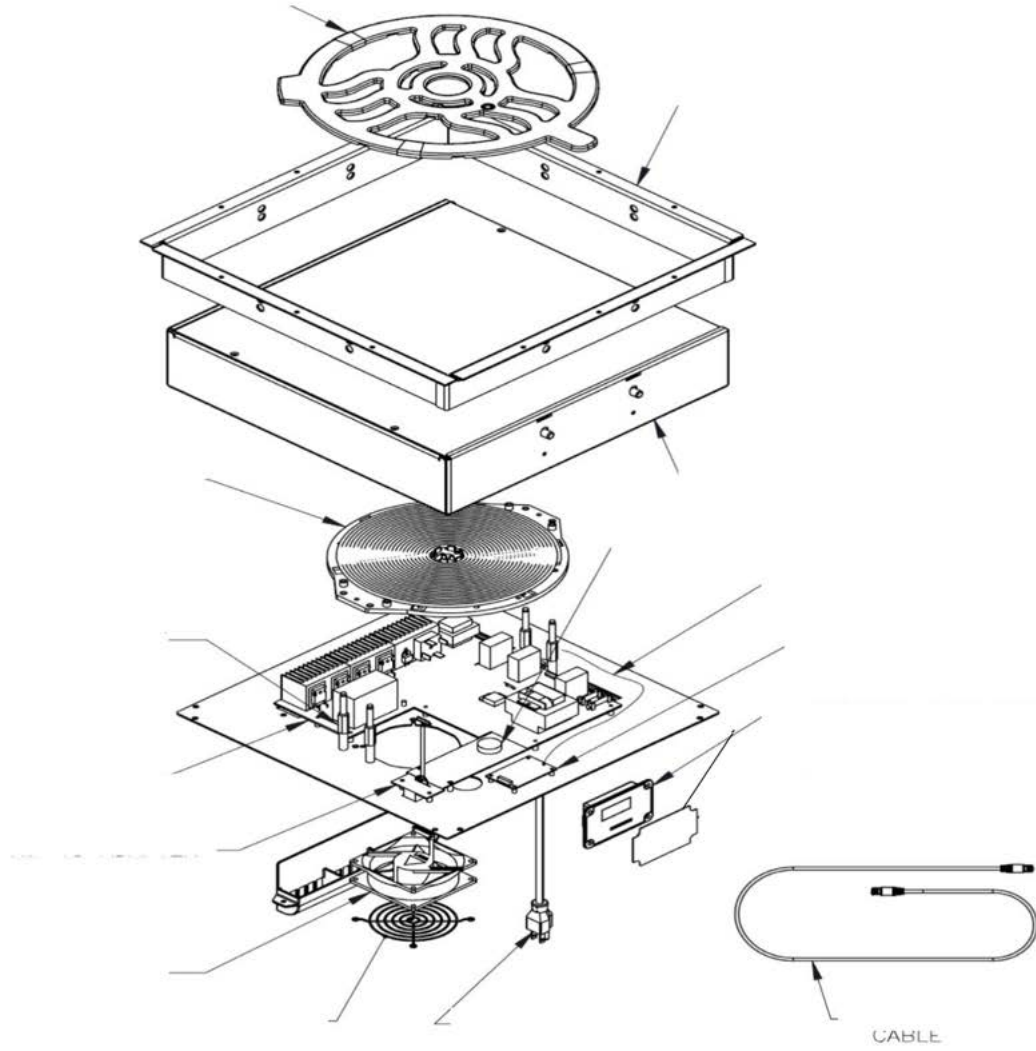
Incogneeto	1
Appendix A:Pages Index	A
Appendix B:Parts Index	B

Incogneeto





Item	Part No.	Name	Qty	Uom	NOTES
1	057499-000	MAGNEETO ASSY	1	EA	
2	057500-000	INCOGNEETO HOUSING ASSY	1	EA	Not available online / Call for pricing and availability
3	057501-000	MOUNTING RING	1	EA	Not available online / Call for pricing and availability
4	057502-000	Hardware Kit	1	EA	Not available online / Call for pricing and availability
5	057503-000	Spacer		EA	Not available online / Call for pricing and availability
6	057504-000	Coil Assy	1	EA	Not available online / Call for pricing and availability
7	057505-000	Nylon Coil Standoff		EA	Not available online / Call for pricing and availability
8	057506-000	Inverter Board Assy	1	EA	Not available online / Call for pricing and availability
9	057507-000	CPU Assy	1	EA	Not available online / Call for pricing and availability
10	057508-000	RFID Reader	1	EA	Not available online / Call for pricing and availability
11	057509-000	Antenna Cable	1	EA	Not available online / Call for pricing and availability
12	057510-000	RJ-45 Adapter Assy	1	EA	Not available online / Call for pricing and availability
13	057511-000	Fan Assy	1	EA	Not available online / Call for pricing and availability





Item	Part No.	Name	Qty	Uom	NOTES
14	057512-000	Fan Guard	1	EA	Not available online / Call for pricing and availability
15	057513-000	Control Box Assy	1	EA	Not available online / Call for pricing and availability
16	057514-000	RJ-45 Control Cable	1	EA	Not available online / Call for pricing and availability
17	057584-000	Power Cord	1	EA	Not available online / Call for pricing and availability



Appendix A:Pages Index

Incogneeto 1



Appendix B:Parts Index

057499-000	1
057500-000	1
057501-000	1
057502-000	1
057503-000	1
057504-000	1
057505-000	1
057506-000	1
057507-000	1
057508-000	1
057509-000	1
057510-000	1
057511-000	1
057512-000	1
057513-000	1
057514-000	1
057584-000	1