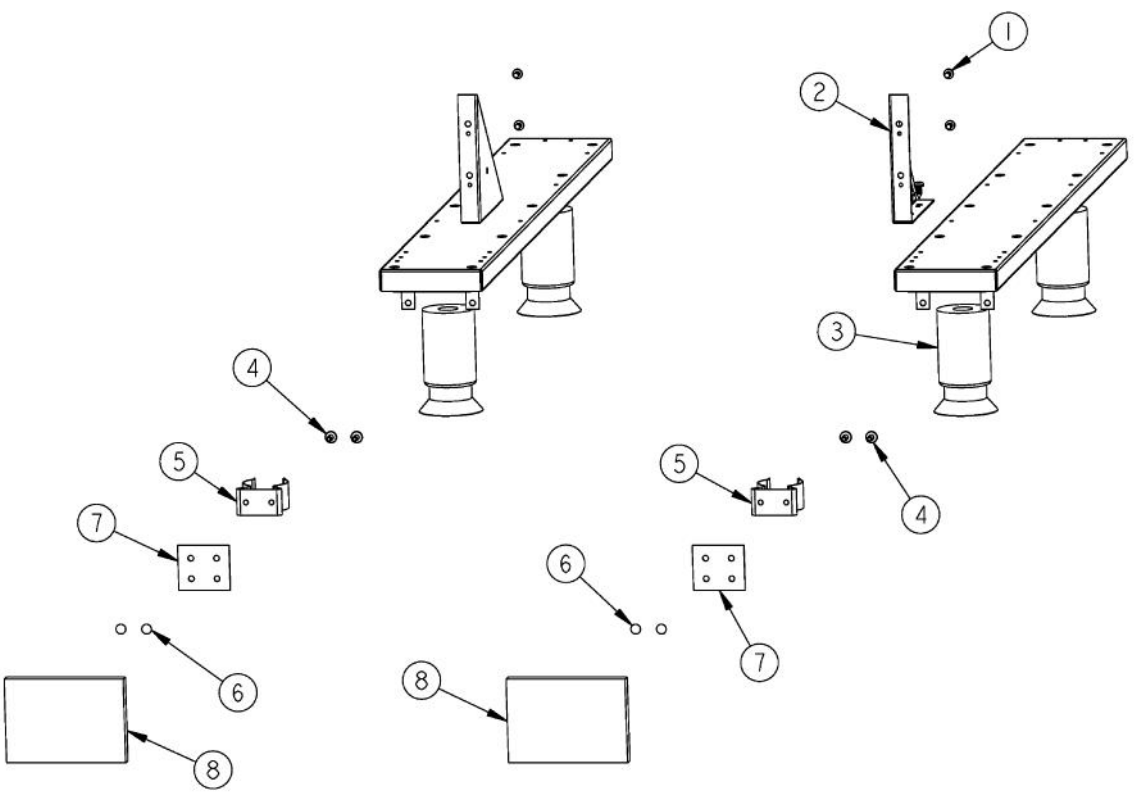


| Ref # | Part Number | Qty. | Description |
|-------|-------------|------|-------------------------------|
| 1 | B20014823 | | LH I/S SIDE (VURO24/3200) |
| 2 | B20014832 | | TOP SUPPORT (VURO2400) |
| 3 | B20014638 | | TOP CORNER BRACE |
| 4 | PD020055 | | NO.10 X 1/2 PAN PHIL. TEK. SS |
| 5 | B20014822 | | RH I/S SIDE (VURO3200) |
| 6 | B20014824 | | 24 REAR (VURO2400) |
| 7 | B30014826 | | 5 SIDE FRONT FASCIA |
| 8 | A20013956 | | MOUNT BRACKET (CABINETS) |
| 9 | PC040014 | | POP RIVOT-SS42 SS |



| Ref # | Part Number | Qty. | Description |
|-------|-------------|------|--|
| 1 | PD020055 | | NO.10 X 1/2 PAN PHIL. TEK. SS |
| 2 | B20014638 | | TOP CORNER BRACE |
| 3 | PC030017 | | 4 LEG ASSY |
| 4 | PD020002 | | 10 X 1/2 PH.TR.HD.SMS. |
| 5 | PD030002 | | LOWER ACC PAN SPRING CLAMP (SYWE1) |
| 6 | PC040003 | | POP RIVET - SB64 3/16DIA.X 3/8 |
| 7 | A10014850 | | 5 KICK PLATE MNT BRKT |
| 8 | PK030493 | | 5 KICK PLATE 4.625 X 3.250 |
| NI | G32014869 | | LH 5 KICK PLATE ASSEMBLY (INC. ITEMS NO. 4 THROUGH NO. 8) |
| NI | G32014845 | | RH 5 KICK PLATE ASSEMBLY (INC. ITEMS NO. 4 THROUGH NO. 8) |