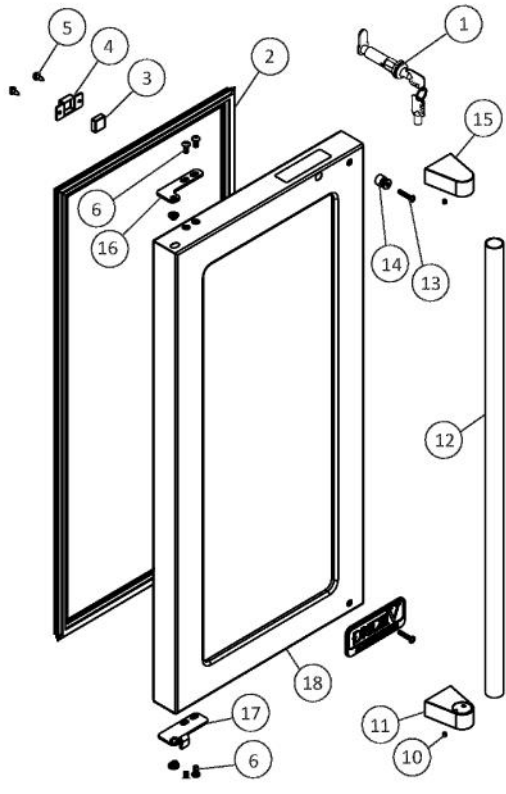
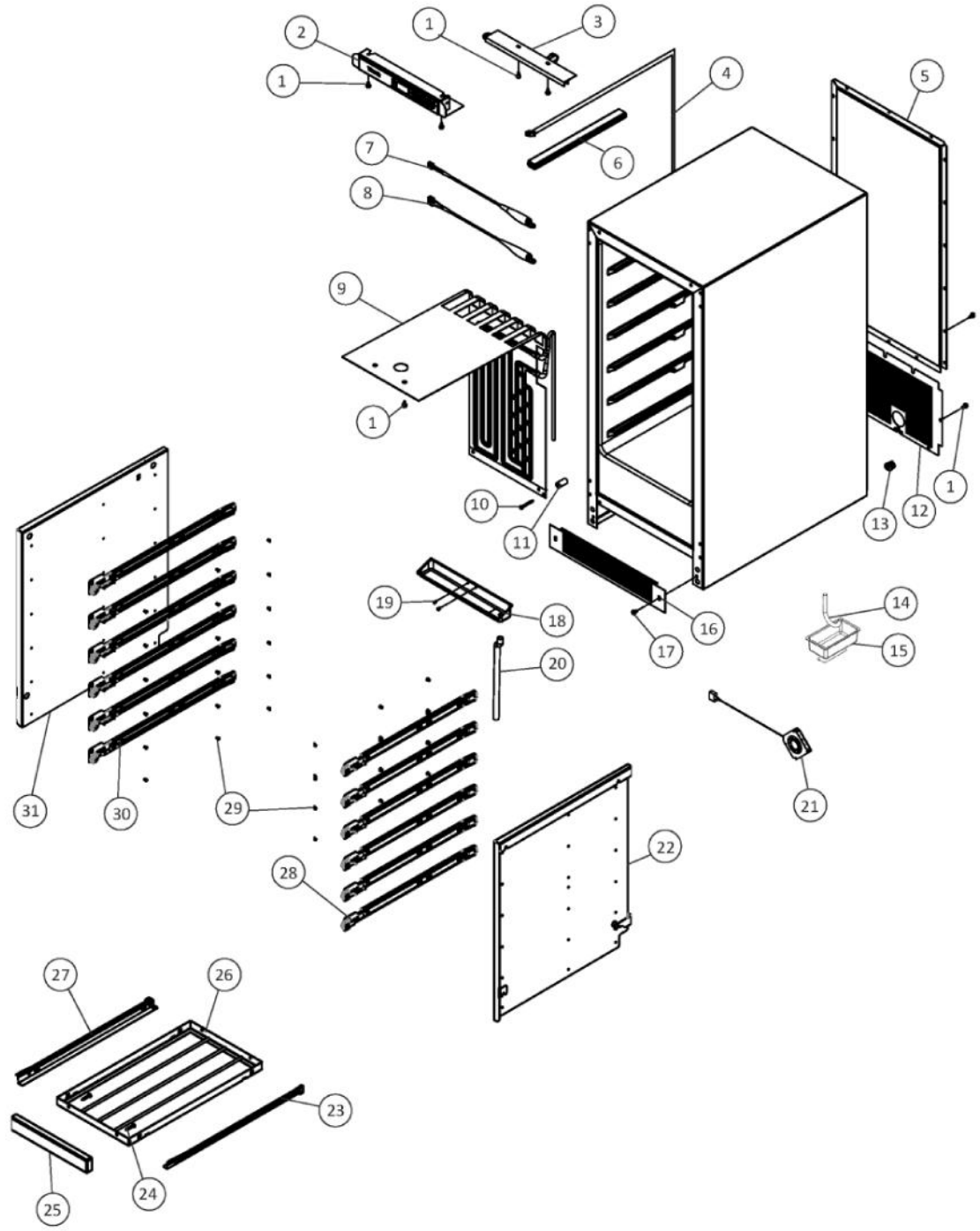


Right Hand Hinged Door

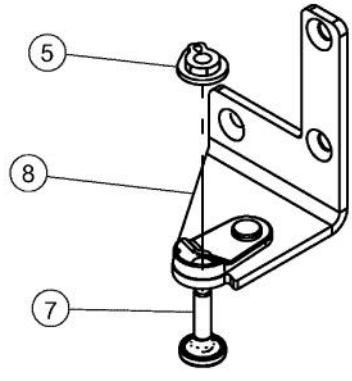
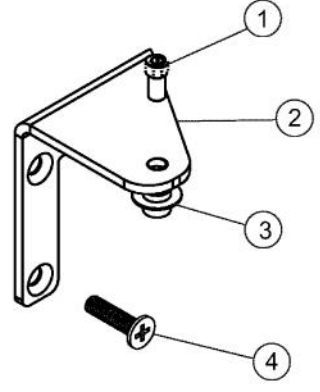
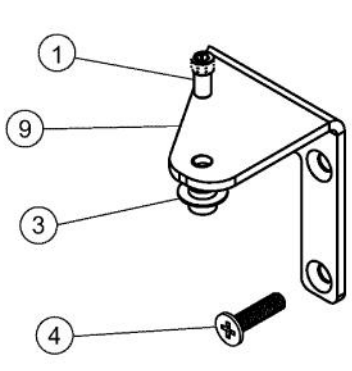


Left Hand Hinged Door

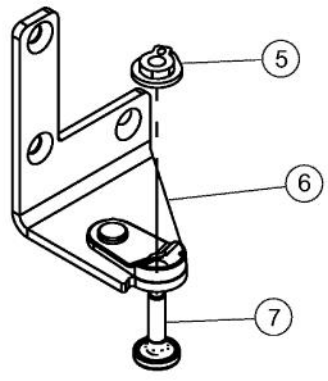
| Ref # | Part Number | Qty. | Description                            |
|-------|-------------|------|--|
| 1     | 022246-000  | 1    | LOCK ASSEMBLY                          |
| 2     | PW230119    | 1    | DOOR GASKET (42243908)                 |
| 3     | 028352-000  | 1    | MAGNET                                 |
| 4     | 028353-000  | 1    | MAGNET SWITCH RETAINER                 |
| 5     | 022440-000  | 2    | NO.10 X 5/8 HEX HEAD SCREW             |
| 6     | 022248-000  | 4    | 1/4-20 X 1/2 BUTTON HEAD CAP SCREW     |
| 7     | 028355-000  | 1    | TOP HINGE ADAPTER, R.H. DOOR (SHOWN)   |
| 8     | 022424-000  | 1    | SCREW : 4MM X 10MM                     |
| 9     | 028497-000  | 1    | DOOR ASSY, PRO, RH, W/LOCK             |
| 10    | 022436-000  | 2    | 10-32 X 1/4? SET SCREW                 |
| 11    | 022437-000  | 1    | STANDOFF BOTTOM                        |
| 12    | 028394-000  | 1    | DOOR HANDLE                            |
| 13    | 022434-000  | 2    | NO.10-32 X 1? TRUSS HEAD MACHINE SCREW |
| 14    | 009521-000  | 2    | STANDOFF STUD                          |
| 15    | 022438-000  | 1    | STANDOFF TOP                           |
| 16    | 022900-000  | 1    | TOP HINGE ADAPTER, LEFT HAND           |
| 17    | 022427-000  | 1    | DOOR STOP, L.H.                        |
| 18    | 028498-000  | 1    | DOOR ASSY, PRO, LH, W/LOCK             |



| Ref # | Part Number | Qty. | Description                              |
|-------|-------------|------|--|
| 1     | 022440-000  | 26   | NO.10 X 5/8 HEX HEAD SCREW               |
| 2     | 028581-000  | 1    | DISPLAY ASM BK, 15 WC GLASS DR.          |
| 3     | PS100007    | 1    | AURA LIGHT ASSY (BLACK) 42245124         |
| 4     | 009482-000  | 1    | COMMUNICATION CABLE                      |
| 5     | 028468-000  | 1    | BACK PANEL                               |
| 6     | 022481-000  | 1    | WIRE CONDUIT                             |
| 7     | 022444-000  | 1    | EVAPORATOR TEMPERATURE SENSOR            |
| 8     | 009484-000  | 1    | DISPLAY TEMPERATURE THERMISTOR           |
| 9     | 022485-000  | 1    | EVAPORATOR ASSEMBLY, BLACK               |
| 10    | 022363-000  | 2    | NO.8 X 1-1/2 TRUSS HEAD SCREW, SS        |
| 11    | 022352-000  | 2    | BLACK SPACER, 1.00? LONG                 |
| 12    | 028469-000  | 1    | ACCESS COVER                             |
| 13    | 022446-000  | 1    | STRAIN RELIEF BUSHING                    |
| 14    | 028495-000  | 1    | J TRAP                                   |
| 15    | 022455-000  | 1    | DRIP PAN                                 |
| 16    | 028470-000  | 1    | TOE GRILLE, BLACK                        |
| 17    | 022361-000  | 2    | NO.12X 3/4 BLACK TYPE A SCREW            |
| 18    | 022461-000  | 1    | DRIP TRAY, BLACK                         |
| 19    | 022401-000  | 2    | POP RIVET NO.AD43ABS ALUMINUM            |
| 20    | PW240045    | 1    | SERV. ASSY BLACK DRAIN TUBE 42244609     |
| 21    | 009747-000  | 2    | EVAPORATOR FAN                           |
| 22    | 022472-000  | 1    | LH LINER SHIELD                          |
| 23    | 022466-000  | 6    | RH SLIDE, BAYONET MOUNT SHELF, BLACK     |
| 24    | 022473-000  | 12   | NO.10 X .5 TYPE AB SHEET METAL SCREW, ZN |
| 25    | 022469-000  | 6    | NATURAL WOOD FRONT                       |
| 26    | 028494-000  | 6    | 30 RACK - 4TH GEN - BLACK                |
| 27    | 022470-000  | 6    | LH SLIDE, BAYONET MOUNT SHELF, BLACK     |
| 28    | 022450-000  | 6    | CUSHION                                  |
| 29    | 022356-000  | 18   | 1/8 POP RIVET                            |
| 30    | 022476-000  | 6    | LH SLIDE, BAYONET MOUNT CABINET, BLACK   |
| 31    | 022448-000  | 1    | SCREW                                    |

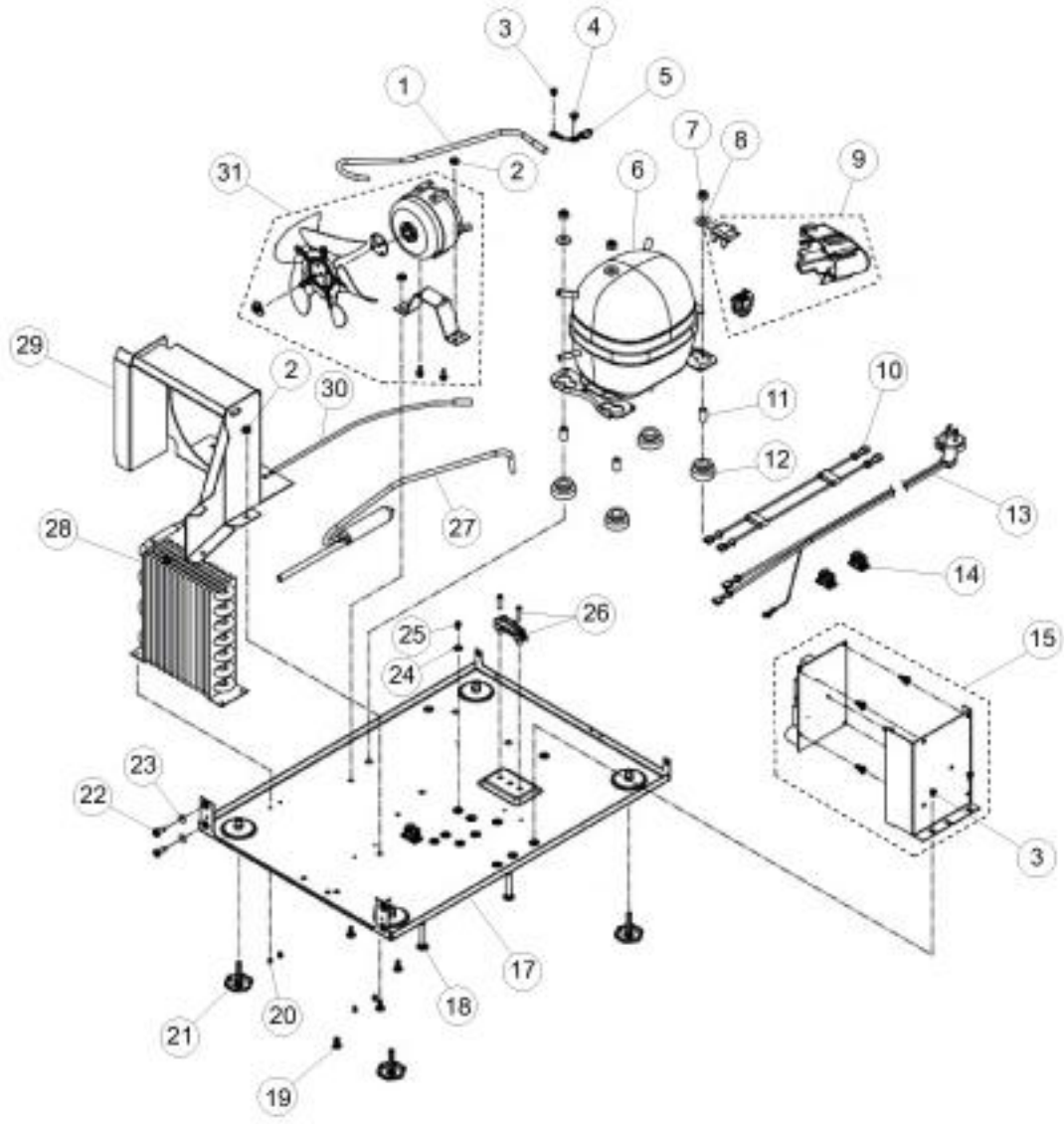


Right Hand



Left Hand

| Ref # | Part Number | Qty. | Description                   |
|-------|-------------|------|-------------------------------|
| 1     | 028354-000  | 1    | TOP HINGE PIN                 |
| 2     | 022416-000  | 1    | UPPER DOOR HINGE L.H.         |
| 3     | 022414-000  | 1    | BEARING, HINGE PIN UPPER      |
| 4     | 022252-000  | 6    | 10-32 X 3/4 COUNTERSUNK SCREW |
| 5     | 022423-000  | 1    | DOOR CLOSER CAM FOLLOWER      |
| 6     | 022420-000  | 1    | BOTTOM DOOR HINGE, L.H.       |
| 7     | 022240-000  | 1    | LOWER HINGE PIN               |
| 8     | 022417-000  | 1    | BOTTOM DOOR HINGE, R.H.       |
| 9     | 022415-000  | 1    | UPPER DOOR HINGE R.H.         |



| Ref # | Part Number | Qty. | Description                                       |
|-------|-------------|------|---|
| 1     | 028475-000  | 1    | COPPER PROCESS TUBE, .25 OD X 19.00 LG            |
| 2     | 022381-000  | 4    | 10-24 HEX KEPS NUT                                |
| 3     | 022883-000  | 6    | NO.8-32 X 1/4 PHILLIPS PAN HEAD SCREW, GALVANIZED |
| 4     | 022402-000  | 1    | 10-32 X 1/2 HEX WASHER HEAD SCREW                 |
| 5     | PW300137    | 1    | GROUND WIRE (VUIM150)                             |
| 6     | 028378-000  | 1    | COMPRESSOR  |
| 7     | 022395-000  | 3    | CONVECTION MOTOR                                  |
| 8     | 022388-000  | 3    | FAN MOTOR   |
| 9     | 028496-000  | 1    | TERMINAL COVER KIT W/ OVERLOAD & RELAY            |
| 10    | 022373-000  | 1    | WIRING HARNESS, COMPRESSOR                        |
| 11    | 022912-000  | 3    | SLEEVE 2222006                                    |
| 12    | 022908-000  | 4    | GROMMET   |
| 13    | 028377-000  | 1    | POWER CORD  |
| 14    | 022359-000  | 3    | FASTEX CLAMP                                      |
| 15    | 022477-000  | 1    | ELECTRONIC CONTROL AND BRACKET ASSEMBLY           |
| 17    | 028476-000  | 1    | MECHANICAL BASEPLATE                              |
| 18    | 022404-000  | 3    | CARRIAGE BOLT 1/4-20 X 1.50 UNC 2A                |
| 19    | 022365-000  | 4    | 13 X 1/2 CARRIAGE BOLT                            |
| 20    | 022356-000  | 4    | 1/8 POP RIVET                                     |
| 21    | 022366-000  | 4    | LEG LEVELER                                       |
| 22    | 022252-000  | 4    | 10-32 X 3/4 COUNTERSUNK SCREW                     |
| 23    | 022403-000  | 4    | NO.10 COUNTERSUNK WASHER                          |
| 24    | 022358-000  | 2    | NO.12 EXTERNAL TOOTH STAR WASHER                  |
| 25    | 022402-000  | 1    | 10-32 X 1/2 HEX WASHER HEAD SCREW                 |
| 26    | 022380-000  | 2    | POWER CORD CLAMP KIT (W/SCREWS)                   |
| 27    | PW240030    | 1    | DRIER (42242894)                                  |
| 28    | 028474-000  | 1    | CONDENSER, R-134A                                 |
| 29    | 028477-000  | 1    | FAN SHROUD  |
| 30    | 022772-000  | 1    | COPPER DISCHARGE TUBE, .187 OD X 19.00LG          |
| 31    | PW300152    | 1    | FAN MOTOR ASSY (VUIM150) 42244701                 |