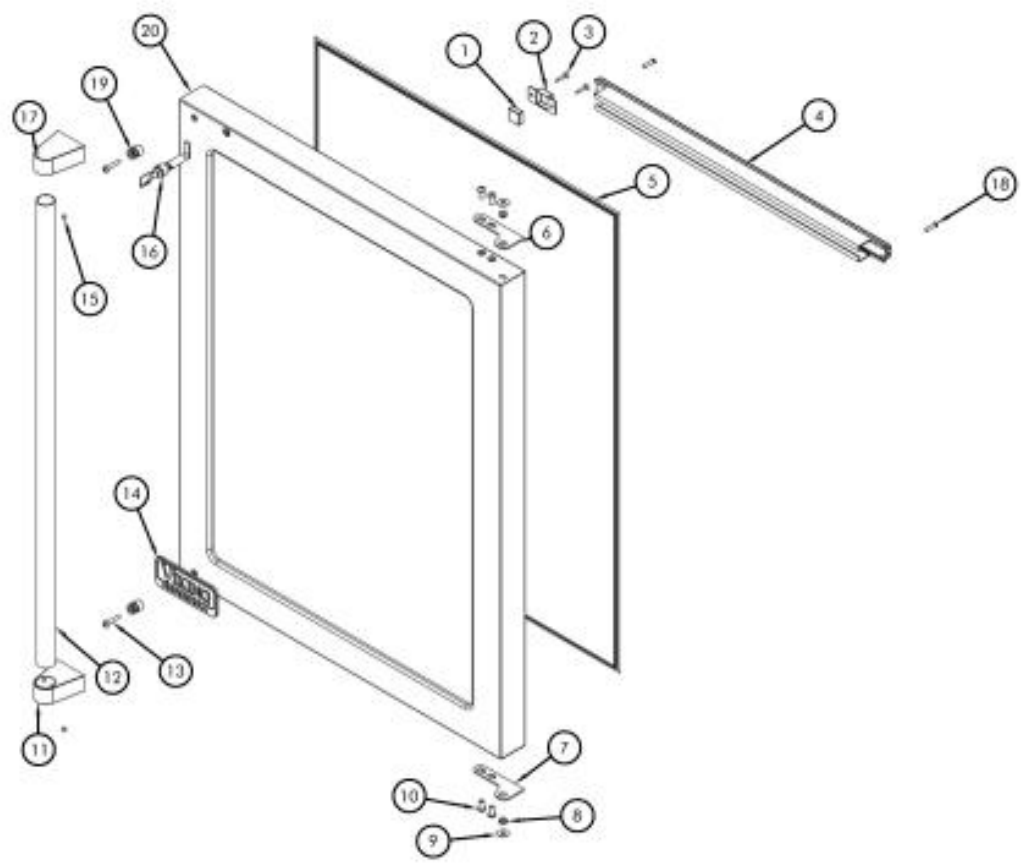
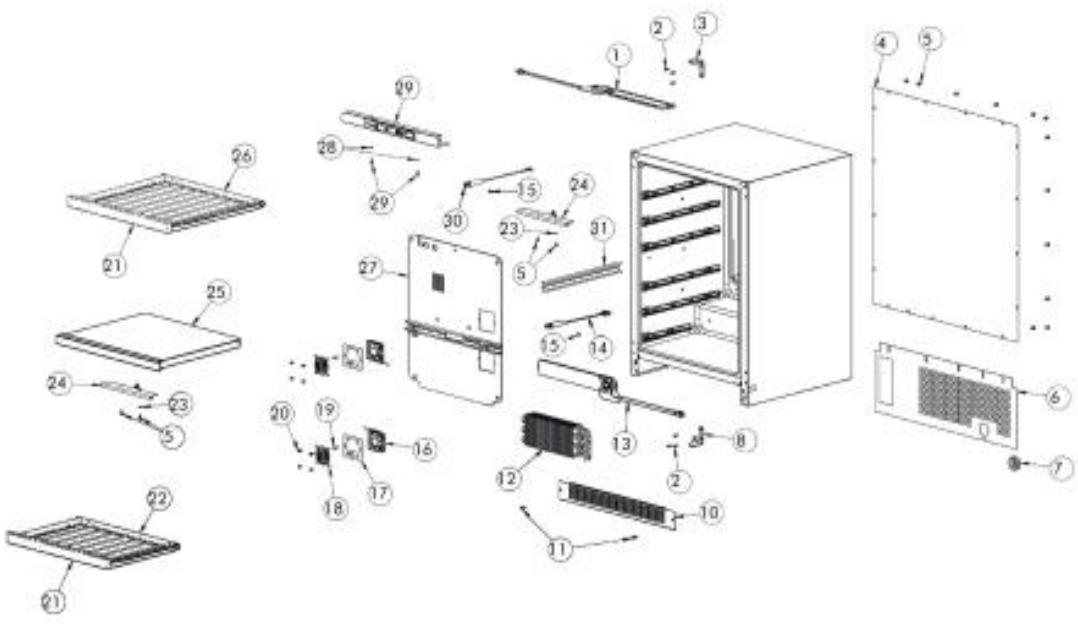


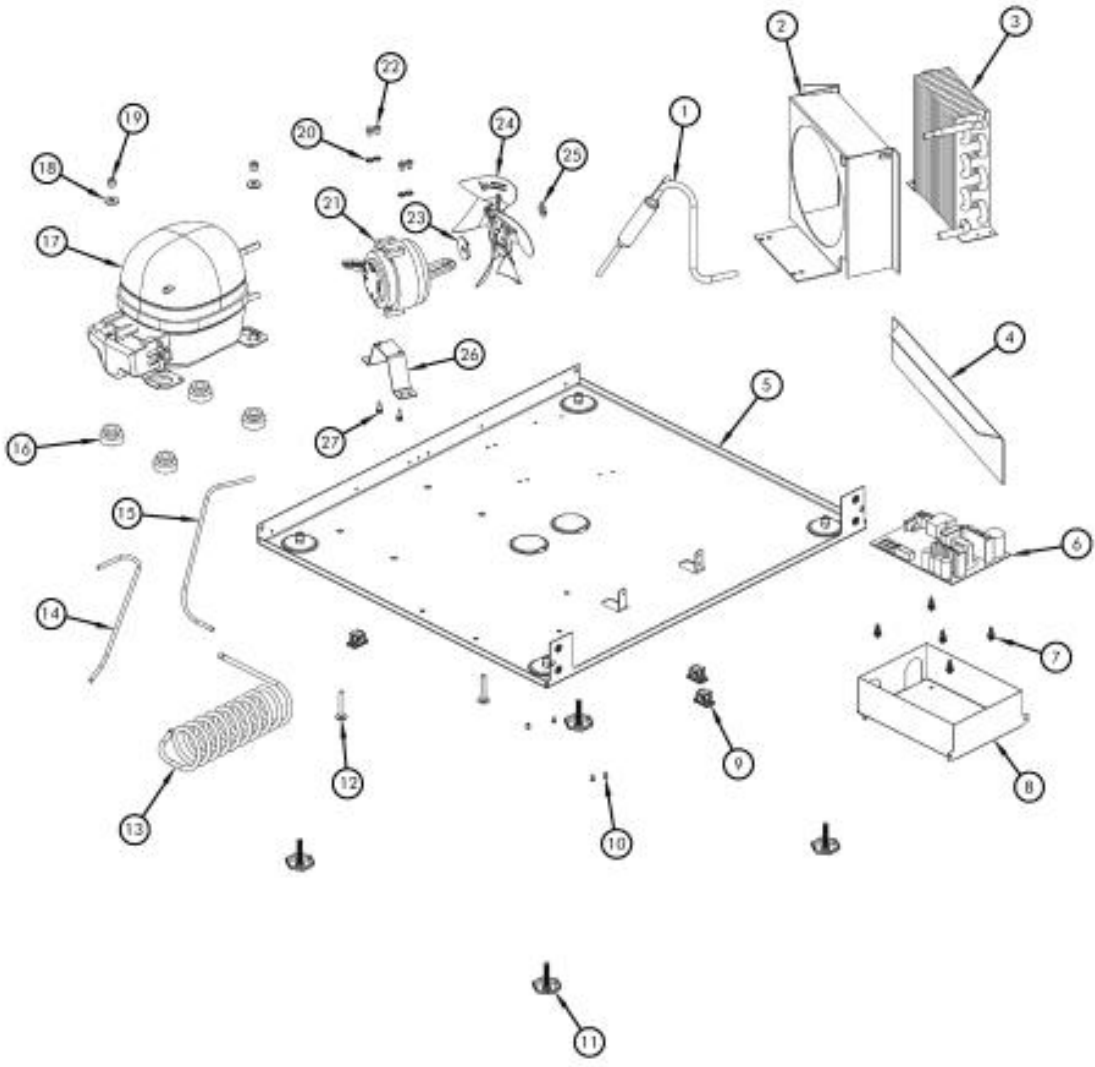
Ref #	Part Number	Qty.	Description
1	009762-000	1	3M TAPE, 1.75
2	009759-000	1	DOOR SWITCH MAGNET
3	010668-000	1	RETAINER, MAGNET
4	020832-000	1	MAGNETIC DOOR GASKET, BLACK
5	009760-000	1	HINGE ADAPTER, TOP, SS
6	020848-000	1	DIVIDER GASKET, BLACK
7	009757-000	1	HINGE ADAPTER, BOTTOM, SS
7	020839-000	2	NO.8 X 3/4 PHILLIPS PAN HEAD TEK SCREW, BLACK
8	020834-000	2	NYLON HINGE BUSHING
9	020833-000	2	NYLON WASHER .62 DIA X .083 THK
10	010212-000	4	SCREW, 1/4-20 SS
11	010211-000	1	END CAP BOT W/SS
12	009519-000	1	HANDLE TUBE, SS
13	020823-000	2	NO.10-32 X 1 MACHINE SCREW TRUSS HEAD, 302SS
14	PW230007	1	NAMEPLATE, PRO
15	020831-000	2	NO.10-32 X 1/4 SET SCREW
16	010215-000	1	LOCK, DOOR
17	009669-000	1	END CAP W/SET SCREW
18	009641-000	2	VIKING HANDLE STAND-OFF STUD
19	022186-000	1	DOOR ASSY, PRO, RH, SOLID, W/LOCK
19	022187-000	1	DOOR ASSY, PRO, LH, SOLID, W/LOCK



Ref #	Part Number	Qty.	Description
1	009759-000	1	DOOR SWITCH MAGNET
2	010216-000	1	DOOR SWITCH MAGNET RETAINER
3	010656-000	2	SCREW, NO.8 X 3/4 PH FLAT HEAD - BK
4	020848-000	1	DIVIDER GASKET, BLACK
5	020832-000	1	MAGNETIC DOOR GASKET, BLACK
6	009760-000	1	HINGE ADAPTER, TOP, SS
7	009757-000	1	HINGE ADAPTER, BOTTOM, SS
8	020834-000	2	NYLON HINGE BUSHING
9	020833-000	2	NYLON WASHER .62 DIA X .083 THK
10	010212-000	4	SCREW, 1/4-20 SS
11	010211-000	1	END CAP BOT W/SS
12	009519-000	1	HANDLE TUBE, SS
13	020823-000	2	NO.10-32 X 1 MACHINE SCREW TRUSS HEAD, 302SS
14	PW230007	1	NAMEPLATE, PRO
15	020831-000	2	NO.10-32 X 1/4 SET SCREW
16	010661-000	1	LOCK
17	009669-000	1	END CAP W/SET SCREW
18	020839-000	2	NO.8 X 3/4 PHILLIPS PAN HEAD TEK SCREW, BLACK
19	009641-000	2	VIKING HANDLE STAND-OFF STUD
20	020871-000	1	DOOR ASSY, PRO, RH, CLEAR GLASS, W/LOCK
No.	020872-000	1	DOOR ASSY, PRO, LH, CLEAR GLASS, W/LOCK
No.	022184-000	1	DOOR ASSY, PRO, RH, FLUTED GLASS, W/LOCK
No.	022185-000	1	DOOR ASSY, PRO, LH, FLUTED GLASS, W/LOCK



Ref #	Part Number	Qty.	Description
1	020866-000	1	FAN/HEATER ASSEMBLY, UPPER COMPARTMENT
2	010236-000	6	10-32 X 3/4? PHILLIPS COUNTERSUNK SCREW, ZN
3	009517-000	1	STANDARD HINGE, RIGHT TOP, CHROME
4	020826-000	1	BACK PANEL
5	009924-000	17	WASHER HD SCREW - ZN
6	020857-000	1	BACK SHROUD
7	009487-000	1	BUSHING
8	010702-000	1	STANDARD HINGE, RIGHT BOTTOM, CHROME
10	020869-000	1	TOE GRILLE, BLACK
11	009489-000	2	NO.12 X 3/4 TYPE AB PHILLIPS SCREW, BLACK
12	020862-000	1	EVAPORATOR ASSEMBLY
13	020867-000	1	FAN/HEATER ASM, LOWER COMPARTMENT
14	020861-000	1	THERMISTOR/HARNES ASM, LOWER COMP.
15	020868-000	20	NO.6-20 X 1/2? PHILLIPS PAN HEAD SCREW, SS
16	020841-000	2	EVAPORATOR FAN
17	020847-000	2	EVAPORATOR FAN MOUNTING COVER
18	020842-000	2	WIRE FORM FAN FINGER GUARD
19	009489-000	4	NO.12 X 3/4 TYPE AB PHILLIPS SCREW, BLACK
20	020838-000	8	NO.10-16 X 1/2? HEX WASHER HEAD SCREW, BLACK
21	020843-000	6	WOOD SHELF FRONT
22	020864-000	1	LOWER SHELF ASSEMBLY
23	007641-000	2	NO.10 EXTERNAL TOOTH LOCKWASHER
24	020836-000	2	TUBE LIGHT, BLACK EXTRUSION
25	020888-000	1	DIVIDER ASSEMBLY, RIGHT-HAND
25	020889-000	1	DIVIDER ASSEMBLY, LEFT-HAND
26	020865-000	5	UPPER SHELF ASSEMBLY
27	020844-000	1	EVAPORATOR COVER
28	009486-000	2	NO.10 EXTERNAL TOOTH STAR WASHER, SS
29	009485-000	2	MACHINE SCREW - SS
30	020890-000	1	USER INTERFACE DISPLAY ASSEMBLY, GLASS DOOR, BLA...
31	020860-000	1	THERMISTOR/HARNESS ASM, UPPER COMP.



Ref #	Part Number	Qty.	Description
1	020863-000	1	DRIER ASSEMBLY
2	020851-000	1	CONDENSER FAN SHROUD
3	020828-000	1	CONDENSER, R-134A
4	020852-000	1	AIR BAFFLE
5	020840-000	1	MECHANICAL BASEPLATE
6	020858-000	1	MAIN ELECTRONIC CONTROL
7	009513-000	5	STANDOFF
8	020846-000	1	MAIN CONTROL HOUSING
9	007640-000	4	PLASTIC WIRE CLIP
10	PW200019	4	POP RIVET
11	020830-000	4	LEVELING LEGS
12	010040-000	2	1/4-20 X 1 1/2 CARRIAGE BOLT
13	020853-000	1	PRECOOLER
14	020854-000	1	TUBE, COMPRESSOR TO PRECOOLER
15	020855-000	1	TUBE, PRECOOLER TO CONDENSER
16	020851-000	4	CONDENSER FAN SHROUD
17	020835-000	1	TECUMSEH COMPRESSOR THG1340YXA, R-134A
18	PW200018	2	.312 ID FLAT WASHER
19	PW200017	2	LOCK NUT .25-.20 UNC
20	007641-000	4	NO.10 EXTERNAL TOOTH LOCKWASHER
21	020825-000	1	FAN MOTOR, MORRILL 115V
22	PW200021	4	SCREW
23	009831-000	1	SILENCER (INCLUDED W/FAN)
24	020829-000	1	FAN BLADE, MORRILL NO.FV600CW30
25	PW200020	1	TINNERMAN NUT (INCLUDED WITH FAN)
26	009509-000	2	NO.8-36 SCREW
27	009633-000	1	FAN MOTOR BRACKET
No.	020824-000	1	NO.8 EXTERNAL TOOTH LOCK WASHER
No.	020827-000	1	GROUND WIRE
No.	009515-000	1	NO.10-32 X 1/2 HEX WASHER HEAD SCREW
No.	020850-000	1	POWER CORD
No.	020851-000	4	CONDENSER FAN SHROUD
No.	020859-000	1	COMMUNICATION HARNESS ASSEMBLY