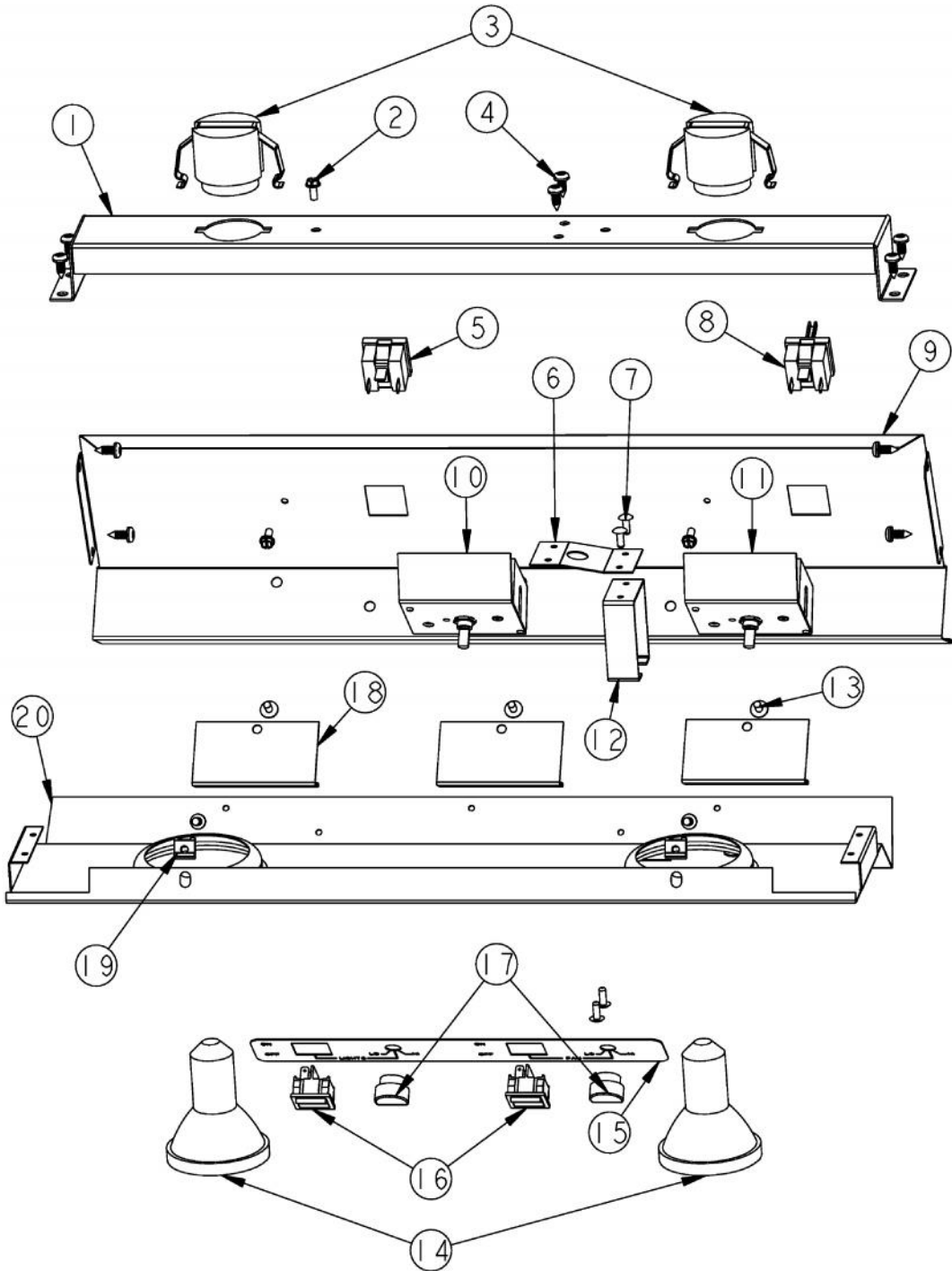
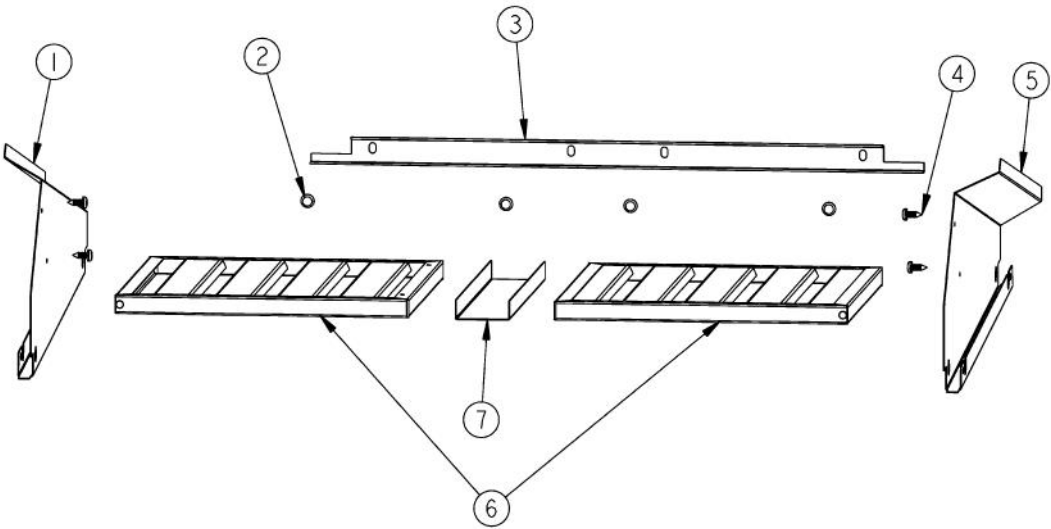


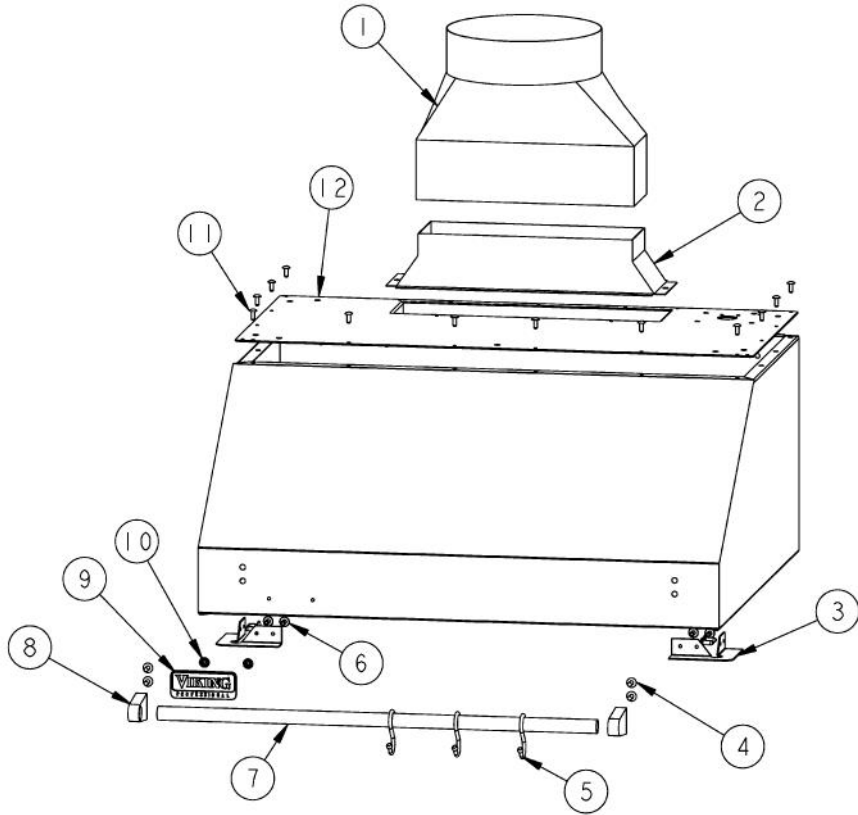
Ref #	Part Number	Qty.	Description
1	A20012476		HOOD TOP (VWH2410)
2	PC040010		POP RIVET
3	A2003825		ROUGH IN BOX (VWH30/3610)
4	A2003826		ROUGH IN BOX COVER (VWH30/3610)
5	PE070204		HEYCO STRAIN RELIEF - 7-P2
6	PD020087		10 X 1/2 PAN PH. TEK ZINC
7	PF030337		HOOD WARNING LABEL
8	PD030131		NO.10-24 HEX NUT W/NYLON LOCK RING
9	PE050042		BLOWER INT 460 CFM 97007542
10	PE020058		RATING LABEL (ADHESIVE)
11	PD010035		BLOWER MTG ROD NO.10-24 99420464



Ref #	Part Number	Qty.	Description
1	A20012479		LIGHT SUPPORT (VWH2410)
2	PD020010		10 X 3/8 GREEN GROUNDING SCREW
3	PE050032		LIGHT SOCKET, (571V)
4	PD020087		10 X 1/2 PAN PH. TEK ZINC
5	PE070541		3-PRONG FEMALE SOCKET
6	B2003837		HEAT SENSOR BRKT
7	PC040010		POP RIVET
8	PE070197		MALE SOCKET (3 PRONG)
9	B20012475		CONTROL PANEL TOP (VWH2410)
10	PE050141		PRO LIGHT CONTROL
11	PE050156		PRO BLOWER CONTROL
12	A2103810		THERMODISC BRACKET
13	PD020032		SRW-8(A)X3/8PH.WFR HD 7/16DIAXNICL
14	PE050034		HALOGEN BULB 50W
15	PE040131		CTRL PNL GRPH REPL (30/3610 36/4208)
16	PE050048		FAN/LIGHT SWITCH (HOODS) EP0M11J
17	PA010071		LIGHT/MOTOR CONTROLLER KNOB
18	B20010269		FILTER FRONT BRKT (VWH30/3610)
19	PD030059		TINNERMAN CLIP
20	B20012473		CONTROL PANEL FORMED (VWH2410)

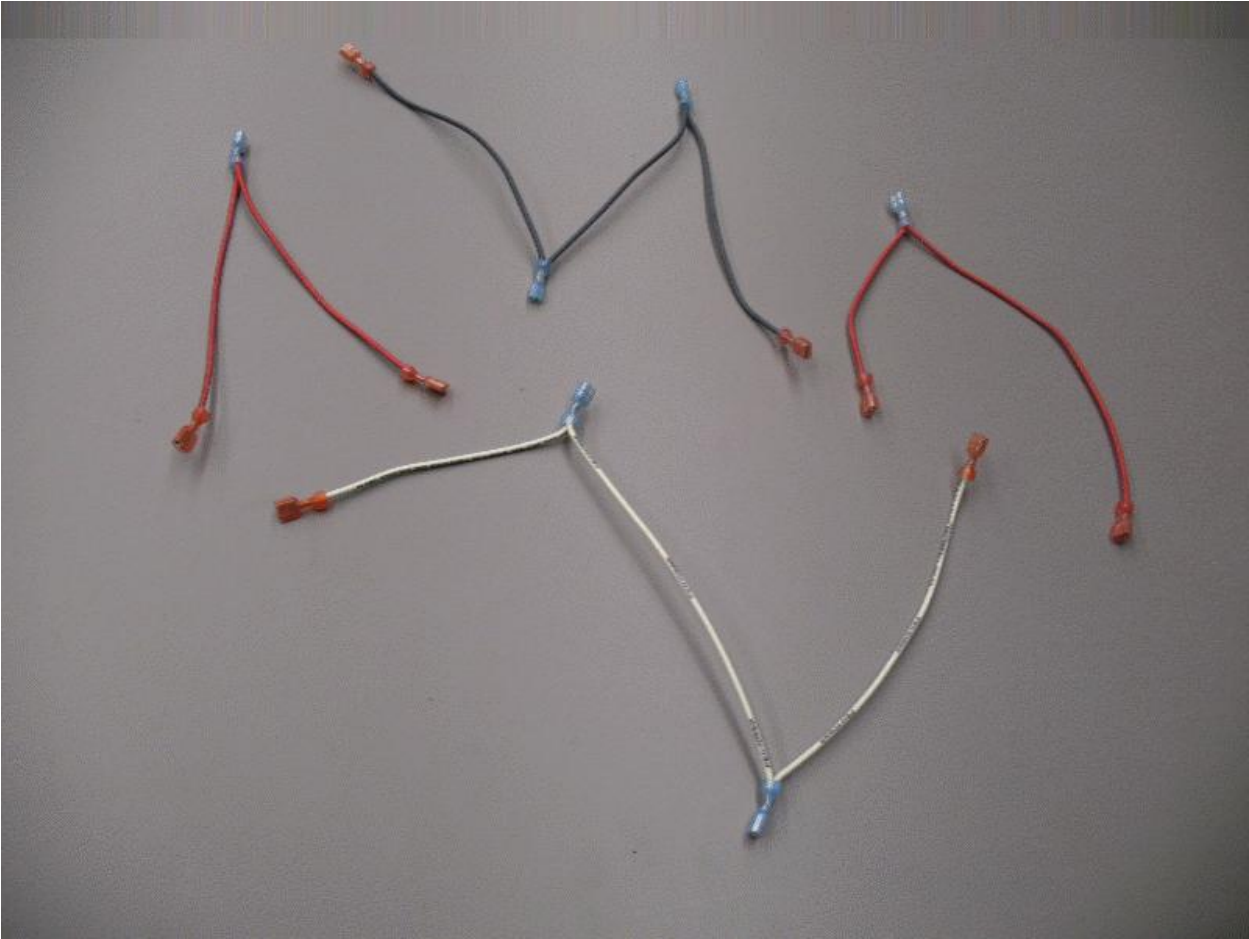


Ref #	Part Number	Qty.	Description
1	B2003815		HOOD I/S SIDE RH (21 DEEP)
2	PD020032		SRW-8(A)X3/8PH.WFR HD 7/16DIAXNICL
3	B20012474		REAR FILTER SUPPORT (VWH2410)
4	PD020087		10 X 1/2 PAN PH. TEK ZINC
5	B2003816		HOOD I/S SIDE LH (21 DEEP)
6	G31012480		FILTER ASSEMBLY (VWH2410) 12.875 X 9.5
7	B2007005		FILTER SPACER (VWH3010) 1.75 X 12.75



Ref #	Part Number	Qty.	Description
1	PM010045		3 1/4 X 10 RECT. TO 7 DIA(TRANS)
2	PE050043		DAMPER/TRANSITION 460 CFM 97006078
3	A2103817		CORNER BRACKET
4	PD010003		10-24 X 1/2 PH.TR.HD.SERD.M.S.
5	PE030076		CHROME S HOOKS REPL PV100012SS
	PE030077		BR `S` HOOKS REPL PV100012BR
6	PD020002		10 X 1/2 PH.TR.HD.SMS.
7	PE030120		ACCESSORY RAIL - SS
	PE030059		36 BRASS ACCESSORY RAIL
8	PE030054		END CAP - SS
	PE030055		END CAP - BR
9	PE010142		3 LOGO XBKXXCHROME
	PE010143		3 LOGO BK/BR
	PE010144		3 LOGO XWHXCHROME
	PE010145		LOGO - WH / BR
10	PD030006		CAPPED WASHER PAL NUT
11	PC040010		POP RIVET
12	A20012476		HOOD TOP (VWH2410)





Ref #	Part Number	Qty.	Description
1	PE070555		VWH30/3610 WIRE KIT



Ref #	Part Number	Qty.	Description
1	PE070542		3-PRONG MALE CORD W/AMP CON