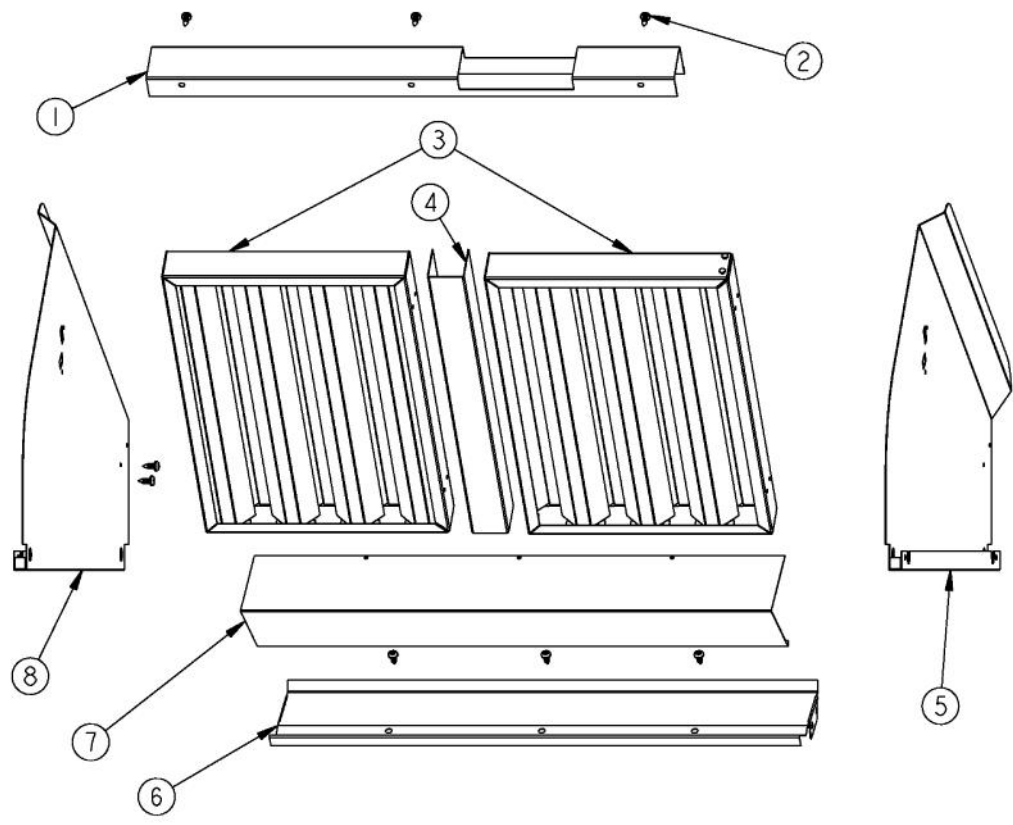
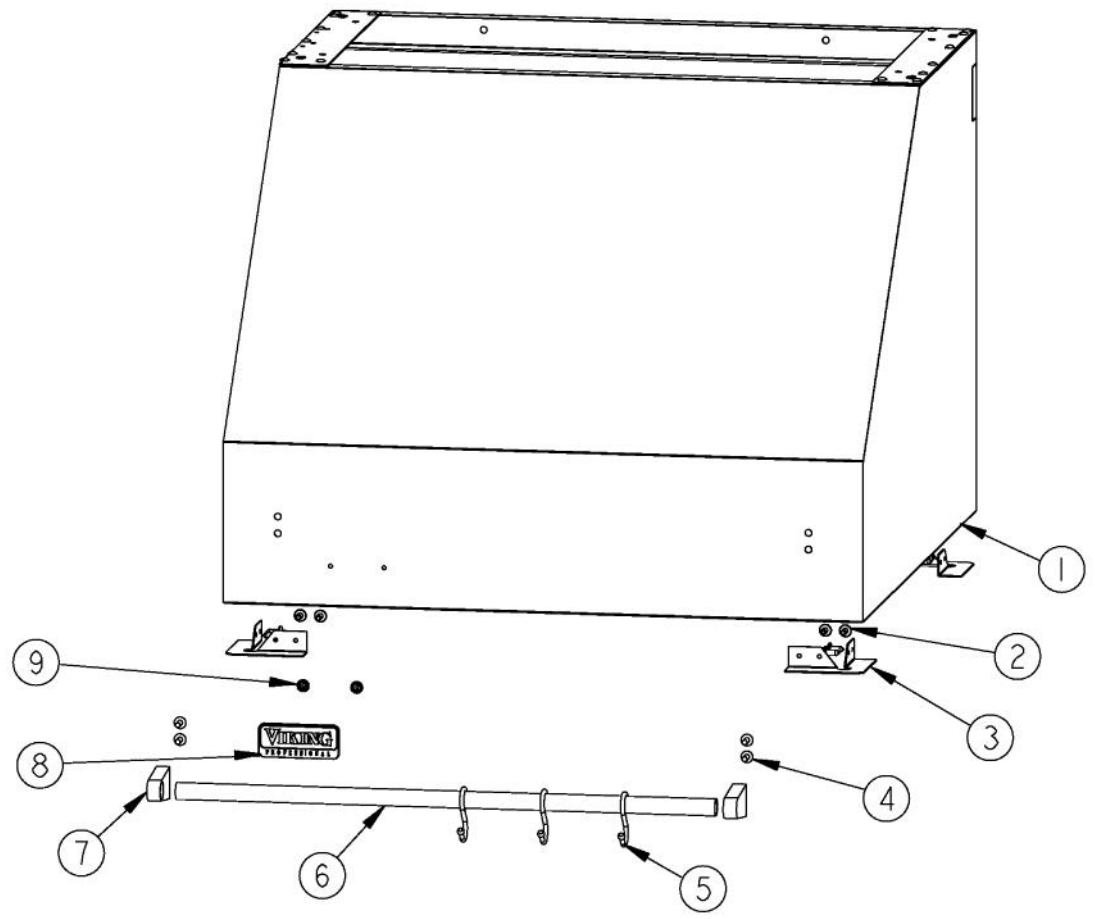


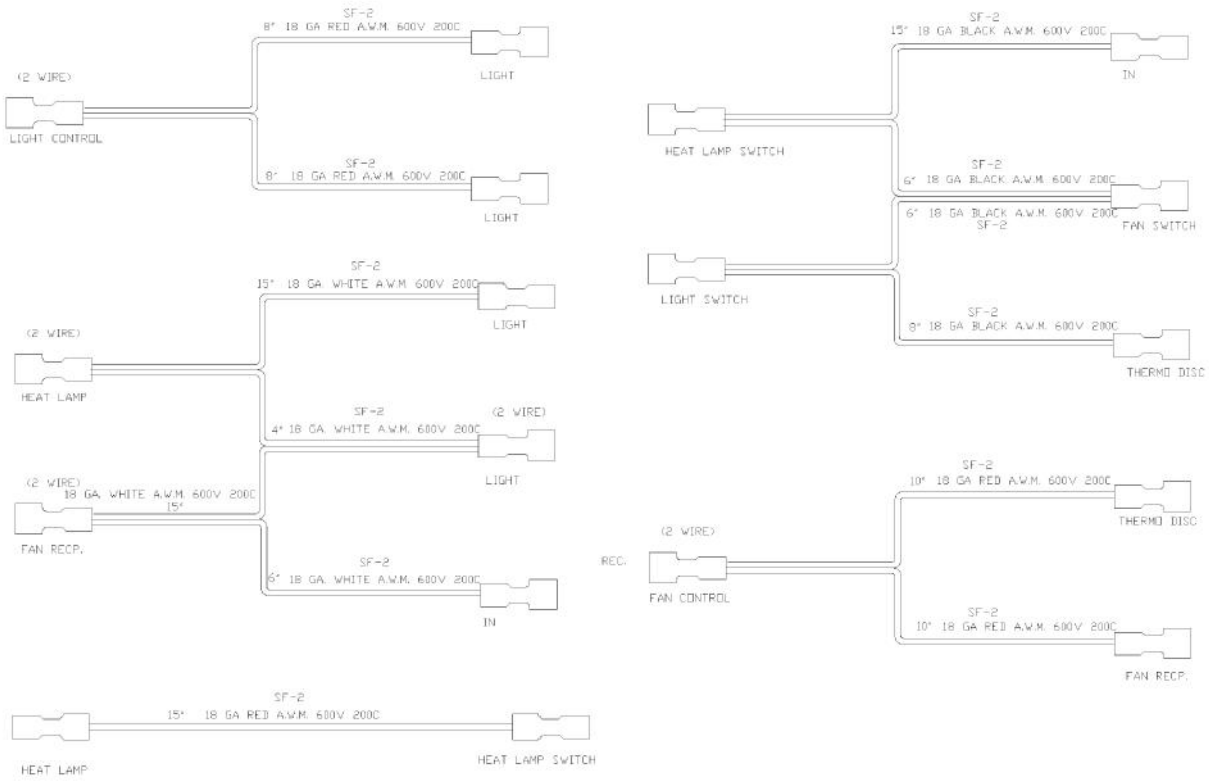
Ref #	Part Number	Qty.	Description
1	A20012468	1	HEAT LAMP SUPPORT (VWH24)
2	PE070214	1	DART CLIP
3	G31012427	1	HEAT LAMP COWLING ASSY
4	PD020087	2	10 X 1/2 PAN PH. TEK ZINC
5	PE070196	1	FEMALE SOCKET (2 PRONG)
6	PE070197	1	MALE SOCKET (3 PRONG)
7	PD020010	1	10 X 3/8 GREEN GROUNDING SCREW
8	013549-000	3	LIGHT SOCKET (125C LEADS)
9	A20016144	1	HEAT LAMP LIGHT BRACKET - RH
10	B2003837	1	HEAT SENSOR BRKT
11	A2003810	1	THERMODISC BRACKET
12	A20016148	1	LIGHT SUPT BRKT BTM (VWH)
13	PE040133	1	CONTROL PANEL PLATE
14	PE050050	1	HEAT LAMP SWITCH (A111B1100000)
15	PA010071	1	LIGHT/MOTOR CONTROLLER KNOB
16	PE050048	2	FAN/LIGHT SWITCH (HOODS) EP0M11J
17	PE050034	2	HALOGEN BULB 50W
18	PJ030014	1	HEAT SENSOR (N.O.) 160 DEG.
19	PE050156	1	PRO BLOWER CONTROL
20	PE050141	1	PRO LIGHT CONTROL
21	PD030059	2	TINNERMAN CLIP
22	A20016147	1	LIGHT SUPPORT BRACKET - LH
23	PC040010	16	POP RIVET
24	A20016143	1	HEAT LAMP LIGHT BRACKET - LH
25	B20010204	1	CONTROL PANEL FORMED (VWH2448)
26	A20012469	1	BOTTOM LIGHT SUPT (VWH24)
NI	019561-000	1	ENCLOSED JUNCTION BOX
NI	PE070204	1	HEYCO STRAIN RELIEF - 7-P2
NI	PE070205	1	3 PRONG FEMALE SUPPLY CORD



Ref #	Part Number	Qty.	Description
1	B20012478	1	FILTER SUPPORT BRACKET
2	PD020087	7	10 X 1/2 PAN PH. TEK ZINC
3	G3108724	3	BAFFLE FILTER ASSY (VWH2448) 9.625 X 14
4	B2009339	1	FILTER SPACER (VWH2448) 1.437 X 14
5	B20010219	1	RH I/S SIDE (48 SERIES VWH)
6	B20012491	1	FILTER SUPPORT, HOOD TOP
7	B20012490	1	FILTER SUPPORT, HOOD BOTTOM
8	B20010220	1	LH I/S SIDE (48 SERIES VWH)
NI	B2008705	1	GREASE TROUGH (VWH2448)



Ref #	Part Number	Qty.	Description
1	UNSERVICEABLE	1	OVEN CAVITY, ASM 36
2	PD020002	4	10 X 1/2 PH.TR.HD.SMS.
3	A2103817	4	CORNER BRACKET
4	PD010003	4	10-24 X 1/2 PH.TR.HD.SERD.M.S.
5	PE030076	3	CHROME S HOOKS REPL PV100012SS
5	PE030077	3	BR `S` HOOKS REPL PV100012BR
6	PE030120	1	ACCESSORY RAIL - SS
6	F0003869	1	ACCESSORY RAIL - BR
7	PE030054	2	END CAP - SS
7	PE030055	2	END CAP - BR
8	PE010142	1	3 LOGO XBKXXCHROME
8	PE010143	1	3 LOGO BK/BR
8	PE010144	1	3 LOGO XWHXCHROME
8	PE010145	1	LOGO - WH / BR
9	PD030006	2	CAPPED WASHER PAL NUT



Ref #	Part Number	Qty.	Description
1	PE070366	1	WIRE HARNESS