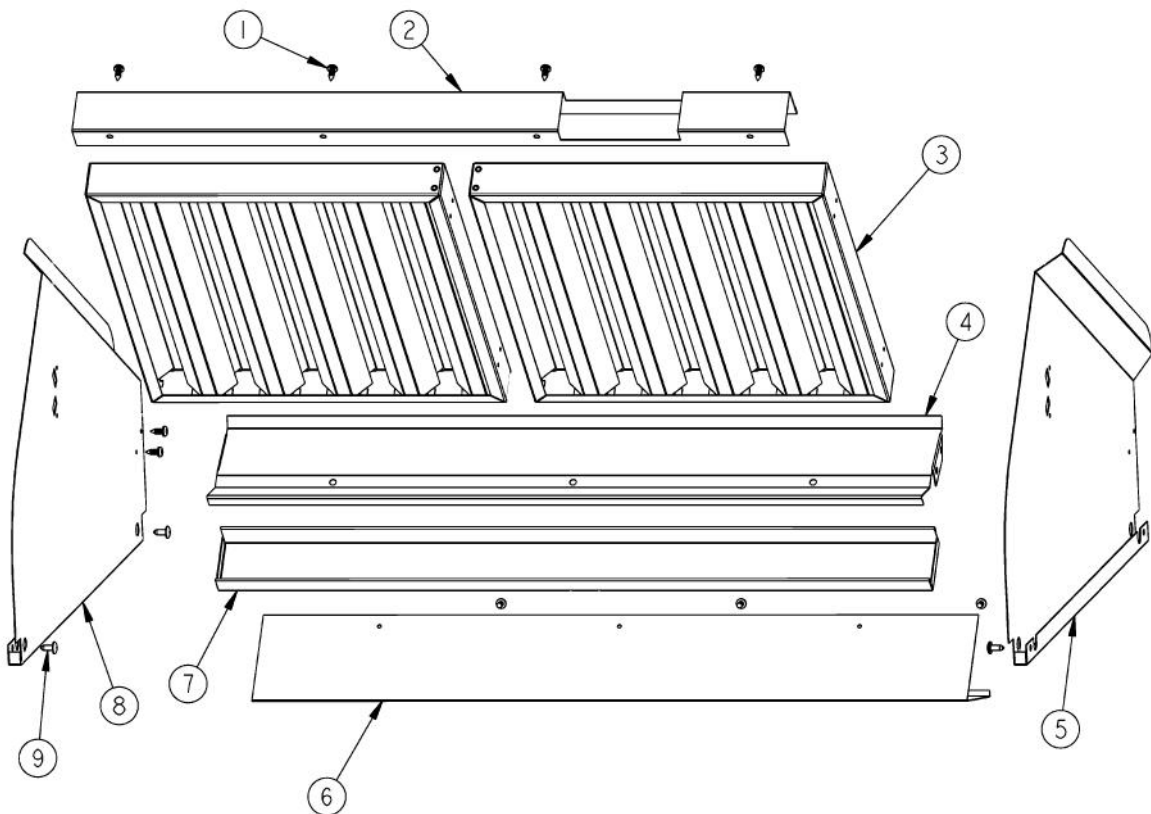
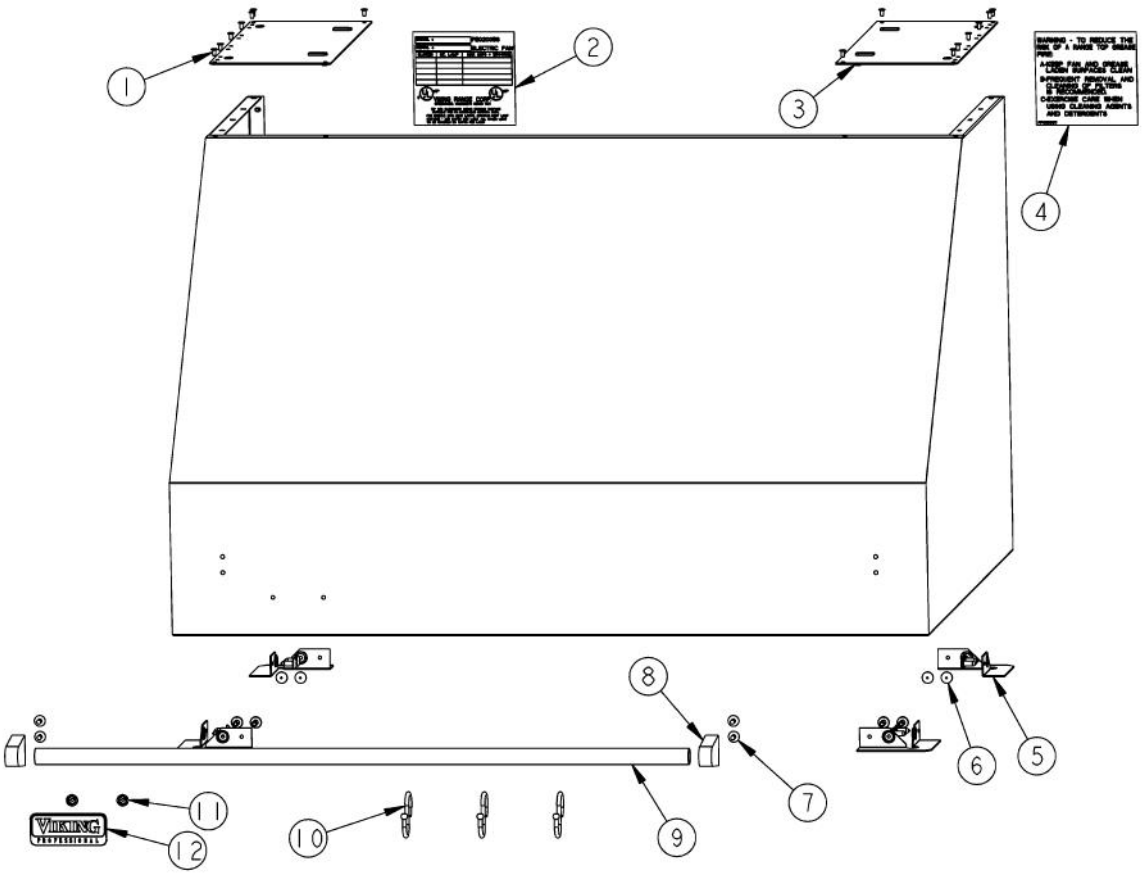


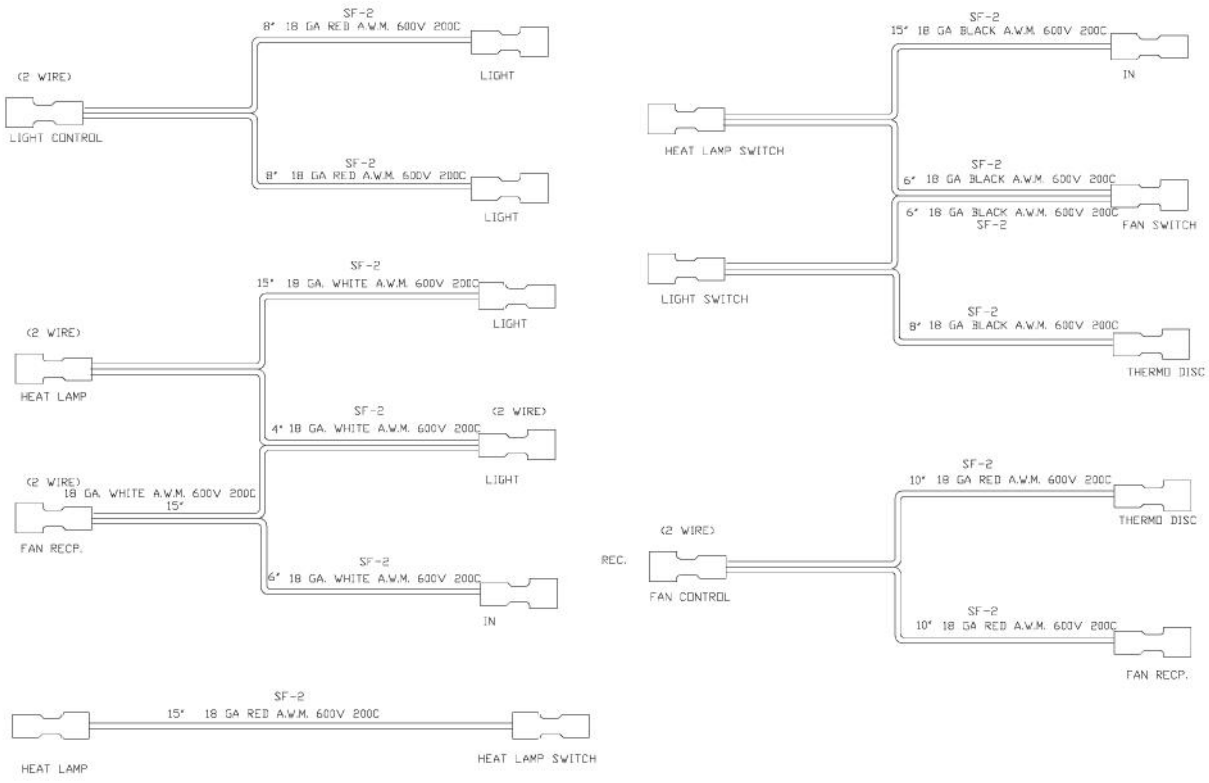
Ref #	Part Number	Qty.	Description
1	A20012428		HEAT LAMP SUPPORT (VWH30)
2	PE050032		LIGHT SOCKET, (571V)
3	PE070214		DART CLIP
4	G31012427		HEAT LAMP COWLING ASSY
5	PD020087		10 X 1/2 PAN PH. TEK ZINC
6	A20011079		BOTTOM LIGHT SUPT (VWH/VBCV/VCWH30)
7	A20016144		HEAT LAMP LIGHT BRACKET - RH (AFTER 12/14/04)
8	B2003844		CTRL PAN FORMED (VWH3048) (BEFORE 10/01/03)
	B20010205		CONTROL PANEL FORMED (VWH3048) (AFTER 10/01/03)
9	PE040133		CONTROL PANEL PLATE
10	PE050050		HEAT LAMP SWITCH (A111B1100000)
11	PE050048		FAN/LIGHT SWITCH (HOODS) EP0M11J
12	PA010071		LIGHT/MOTOR CONTROLLER KNOB
13	PE050034		HALOGEN BULB 50W
14	A20016143		HEAT LAMP LIGHT BRACKET - LH (AFTER 12/14/04)
15	A20016147		LIGHT SUPPORT BRACKET - LH
16	PC040010		POP RIVET
17	PD030059		TINNERMAN CLIP
18	PE050141		PRO LIGHT CONTROL
19	PE050156		PRO BLOWER CONTROL
20	B2003837		HEAT SENSOR BRKT
21	PE070196		FEMALE SOCKET (2 PRONG)
22	PJ030014		HEAT SENSOR (N.O.) 160 DEG.
23	A2103810		THERMODISC BRACKET
24	A20016148		LIGHT SUPT BRKT BTM (VWH)
25	PE070197		MALE SOCKET (3 PRONG)
26	PD020010		10 X 3/8 GREEN GROUNDING SCREW



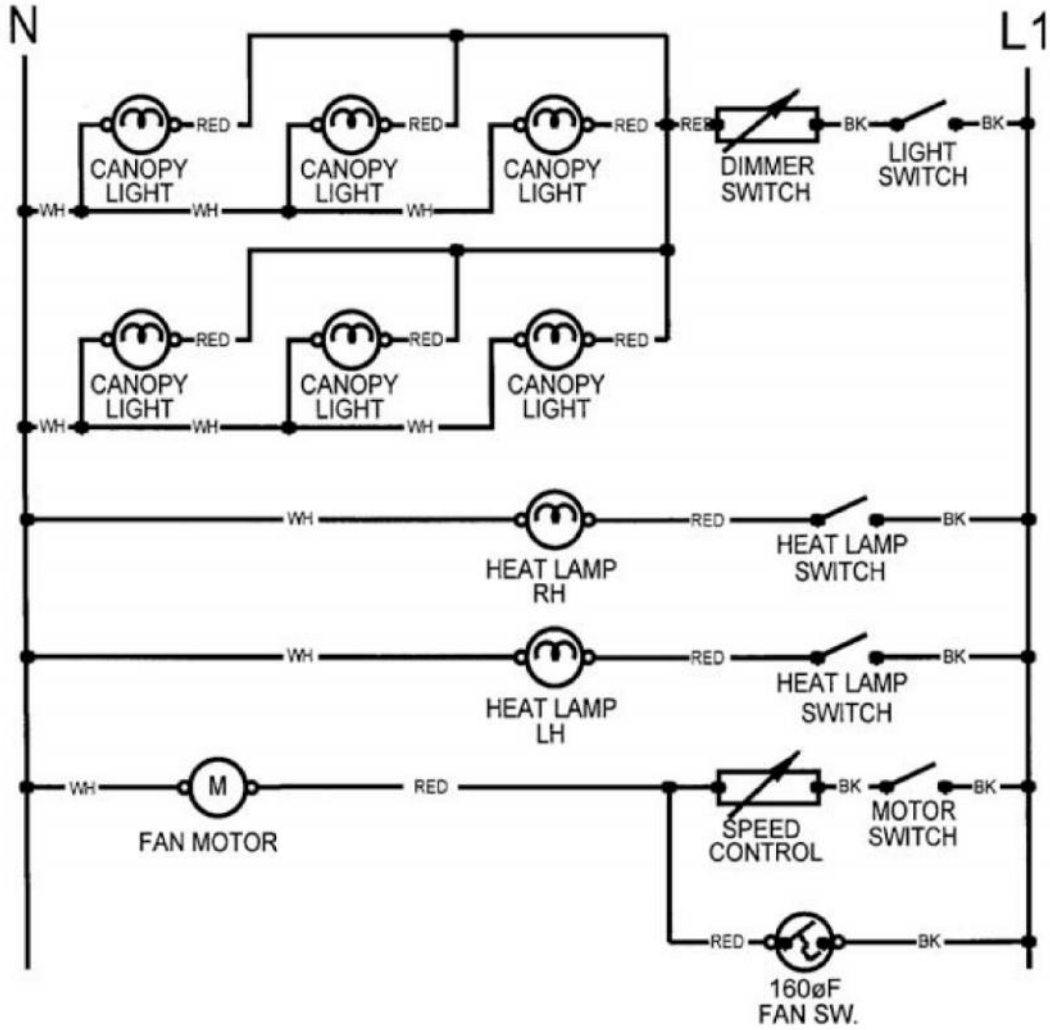
Ref #	Part Number	Qty.	Description
1	PD020087		10 X 1/2 PAN PH. TEK ZINC
2	B20012461		FILTER SUPPORT BRKT (VWH30) (AFTER 02/21/05)
3	G3104046		BAFFLE FILTER ASSY (18 HOODS) 13.375 X 14
4	B2003983		HOOD FILTER SUPT TOP (VWH3048/3078) (BEFORE 02/21/05)
	B20012486		FILTER SUPPORT TOP (VWH/VBCV/VCWH30) (AFTER 02/21/05)
5	B2003855		HOOD I/S SIDE RH (24 DEEP) (BEFORE 02/21/05)
	B20012488		I/S SIDE - RH (AFTER 02/21/05)
6	B2003981		HOOD FILTER SUPT BTM (VWH3048/3078) (BEFORE 02/21/05)
	B20011041		REAR FILTER SUPT BOTTOM (VBCV30) (AFTER 02/21/05)
7	B2003849		GREASE TROUGH (VWH3048/78)
8	B2003856		HOOD I/S SIDE LH (24 DEEP) (BEFORE 02/21/05)
	B20012489		I/S SIDE - LH (AFTER 02/21/05)
9	PD020002		10 X 1/2 PH.TR.HD.SMS.



Ref #	Part Number	Qty.	Description
1	PC040010		POP RIVET
2	PE020058		RATING LABEL (ADHESIVE)
3	G30013925		HOOD TOP ASSY (VWH3048/78)
4	PF030337		HOOD WARNING LABEL
5	A2103817		CORNER BRACKET
6	PD020002		10 X 1/2 PH.TR.HD.SMS.
7	PD010003		10-24 X 1/2 PH.TR.HD.SERD.M.S.
8	PE030054		END CAP - SS
	PE030055		END CAP - BR
9	F0003873		ACCESSORY RAIL - SS
	F0003869		ACCESSORY RAIL - BR
10	PE030076		CHROME S HOOKS REPL PV100012SS
	PE030077		BR `S` HOOKS REPL PV100012BR
11	PD030006		CAPPED WASHER PAL NUT
12	PE010142		3 LOGO XBKXXCHROME
	PE010143		3 LOGO BK/BR
	PE010144		3 LOGO XWHXCHROME
	PE010145		LOGO - WH / BR
NI	021148-000	1	30 HOOD TOP TRANSITION ASM



Ref #	Part Number	Qty.	Description
1	PE070366		WIRE HARNESS



Ref #	Part Number	Qty.	Description
-------	-------------	------	-------------
