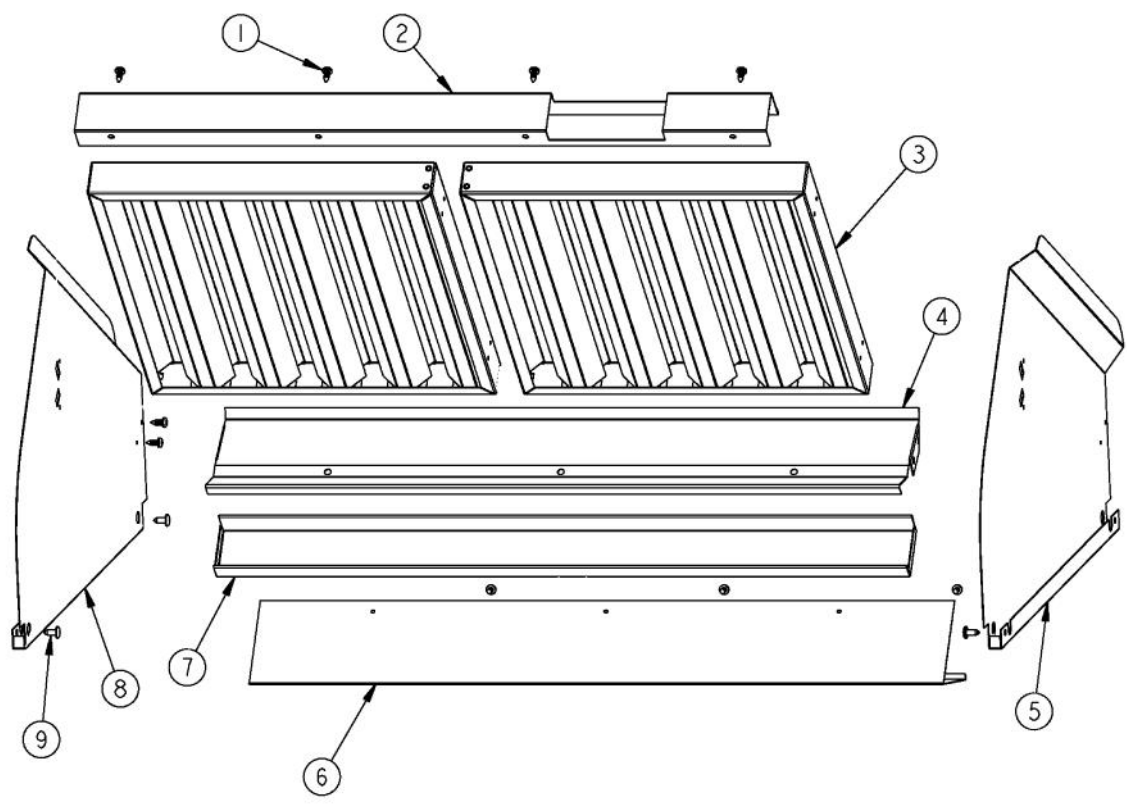
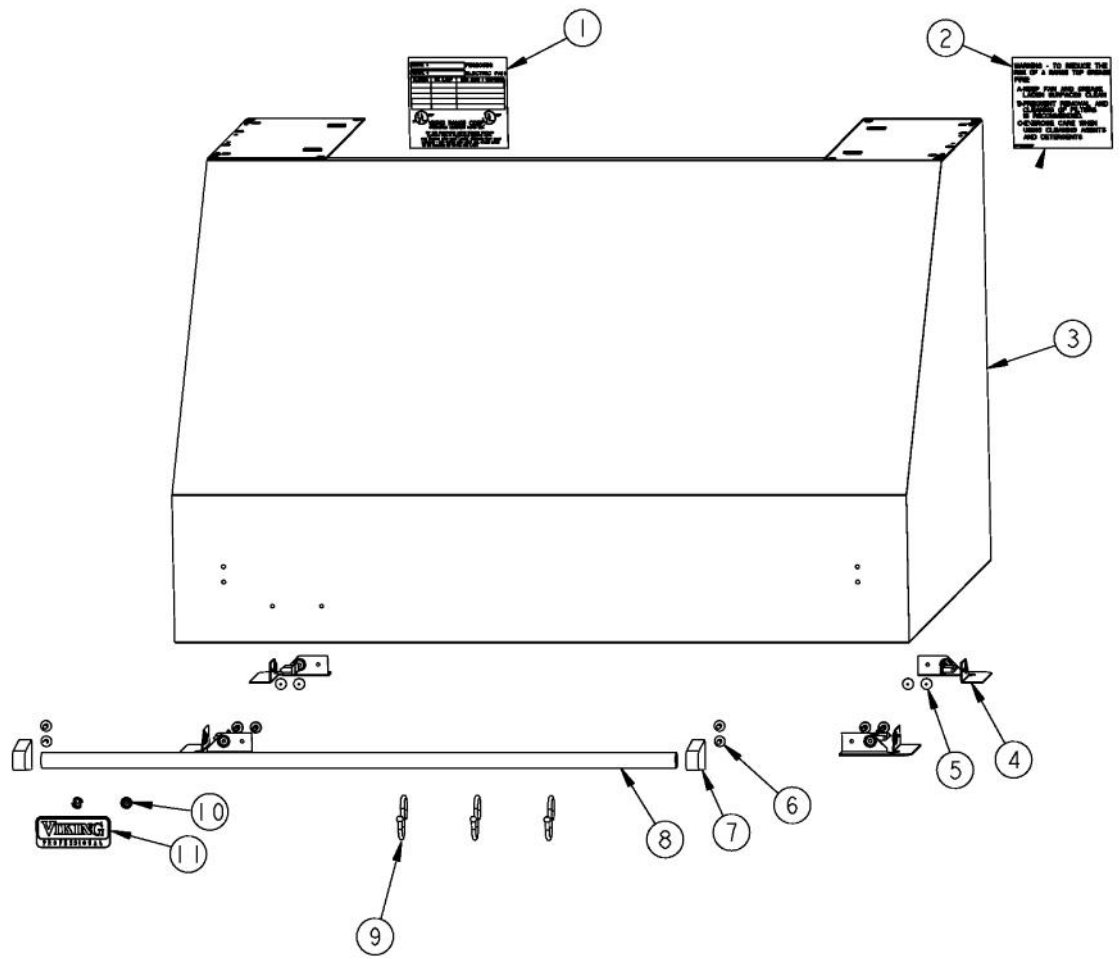


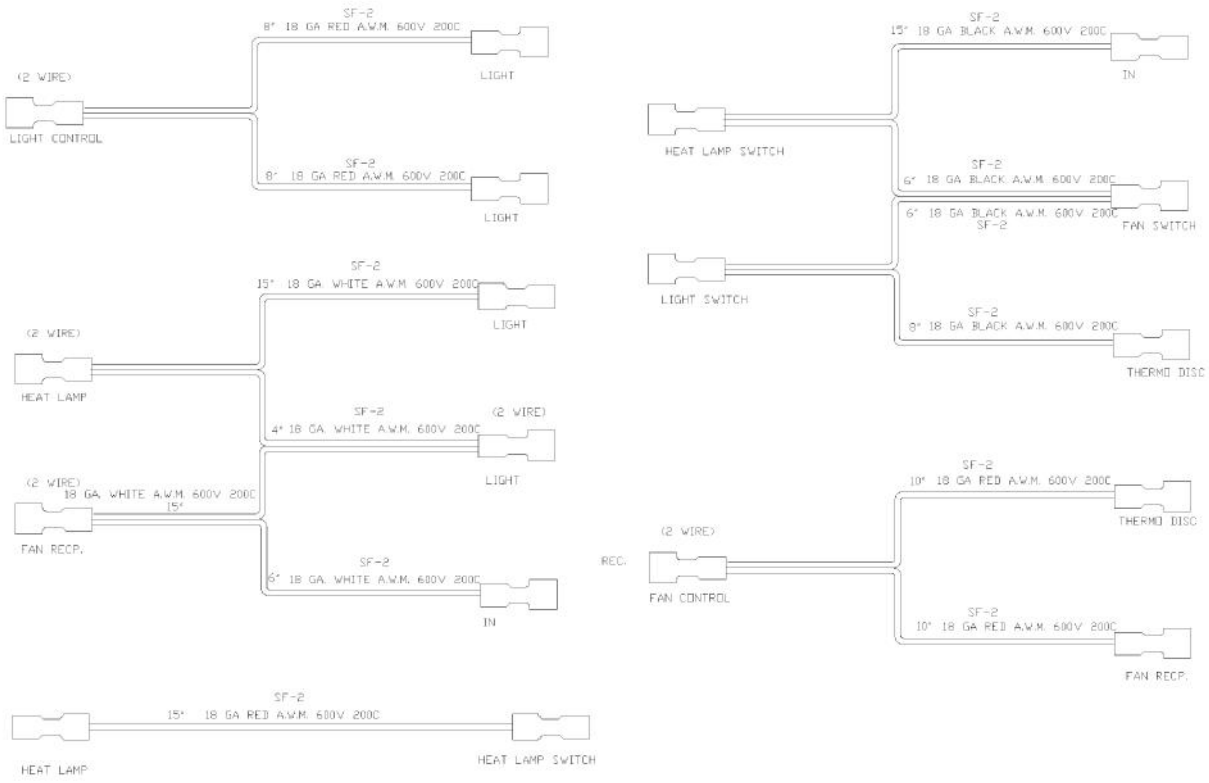
Ref #	Part Number	Qty.	Description
1	A20012428	1	HEAT LAMP SUPPORT (VWH30)
2	013549-000	3	LIGHT SOCKET (125C LEADS)
3	PE070214	1	DART CLIP
4	G31012427	1	HEAT LAMP COWLING ASSY
5	PD020087	5	10 X 1/2 PAN PH. TEK ZINC
6	A20011079	1	BOTTOM LIGHT SUPT (VWH/VBCV/VCWH30)
7	A20016144	1	HEAT LAMP LIGHT BRACKET - RH
8	B20010205	1	CONTROL PANEL FORMED (VWH3048)
9	PE040133	1	CONTROL PANEL PLATE
10	PE050050	1	HEAT LAMP SWITCH (A111B1100000)
11	PE050048	2	FAN/LIGHT SWITCH (HOODS) EP0M11J
12	PA010071	2	LIGHT/MOTOR CONTROLLER KNOB
13	PE050034	2	HALOGEN BULB 50W
14	A20016143	1	HEAT LAMP LIGHT BRACKET - LH
15	A20016147	1	LIGHT SUPPORT BRACKET - LH
16	PC040010	16	POP RIVET
17	PD030059	6	TINNERMAN CLIP
18	PE050141	1	PRO LIGHT CONTROL
19	PE050156	1	PRO BLOWER CONTROL
20	B2003837	1	HEAT SENSOR BRKT
21	PE070196	1	FEMALE SOCKET (2 PRONG)
22	PJ030014	1	HEAT SENSOR (N.O.) 160 DEG.
23	A2103810	1	THERMODISC BRACKET
24	A20016148	1	LIGHT SUPT BRKT BTM (VWH)
25	PE070197	1	MALE SOCKET (3 PRONG)
26	PD020010	1	10 X 3/8 GREEN GROUNDING SCREW
NI	019561-000	1	ENCLOSED JUNCTION BOX
NI	PE070204	1	HEYCO STRAIN RELIEF - 7-P2
NI	PE070205	1	3 PRONG FEMALE SUPPLY CORD



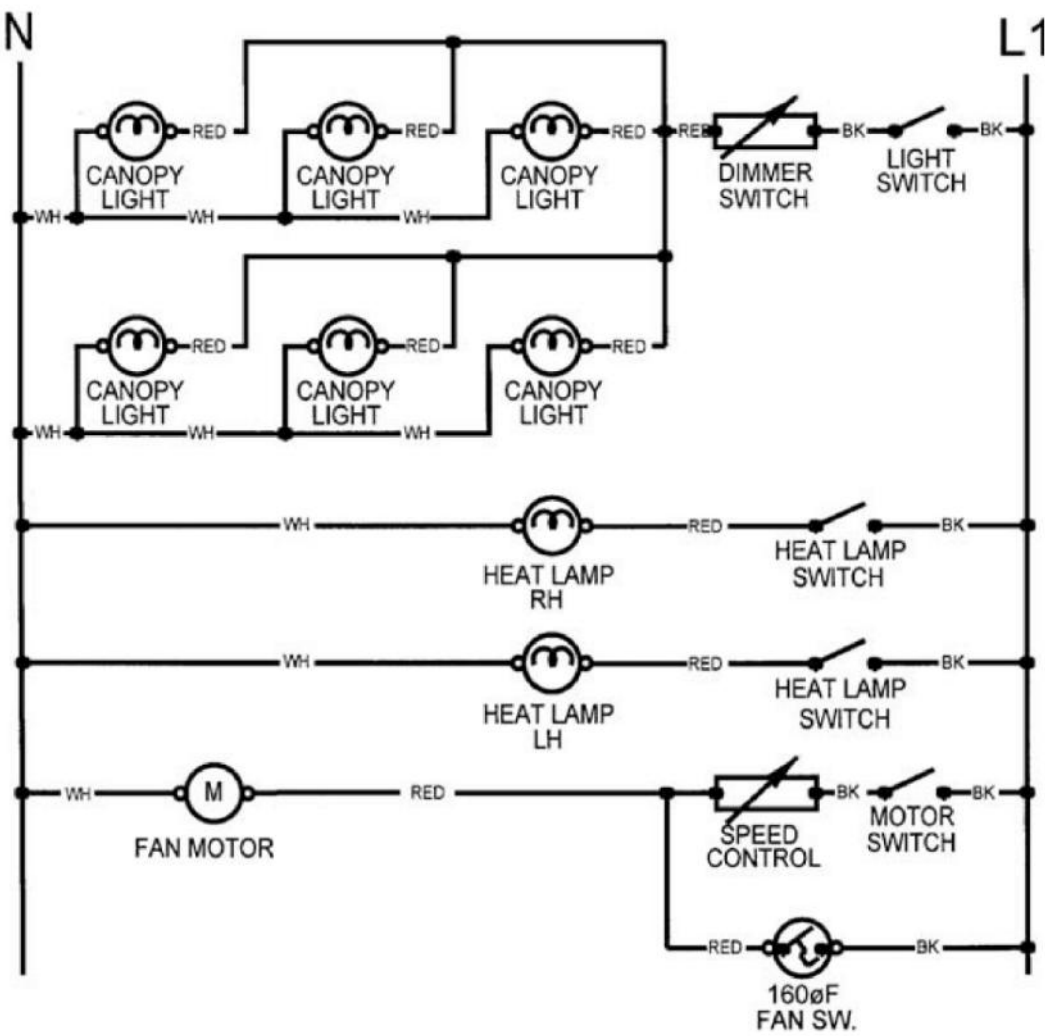
Ref #	Part Number	Qty.	Description
1	PD020087	11	10 X 1/2 PAN PH. TEK ZINC
2	B20012461	1	FILTER SUPPORT BRKT (VWH30)
3	G3104046	2	BAFFLE FILTER ASSY (18 HOODS) 13.375 X 14
4	B20012486	1	FILTER SUPPORT TOP (VWH/VBCV/VCWH30)
5	B20012488	1	I/S SIDE - RH
6	B20011041	1	REAR FILTER SUPT BOTTOM (VBCV30)
7	B2003849	1	GREASE TROUGH (VWH3048/78)
8	B20012489	1	I/S SIDE - LH
9	PD020002	4	10 X 1/2 PH.TR.HD.SMS.



Ref #	Part Number	Qty.	Description
1	PE020058	1	RATING LABEL (ADHESIVE)
2	PF030337	1	HOOD WARNING LABEL
3	UNSERVICEABLE	1	OVEN CAVITY, ASM 36
4	A2103817	4	CORNER BRACKET
5	PD020002	8	10 X 1/2 PH.TR.HD.SMS.
6	PD010003	4	10-24 X 1/2 PH.TR.HD.SERD.M.S.
7	PE030054	1	END CAP - SS
7	PE030055	1	END CAP - BR
8	F0003873	1	ACCESSORY RAIL - SS
8	F0003869	1	ACCESSORY RAIL - BR
9	PE030076	1	CHROME S HOOKS REPL PV100012SS
9	PE030077	1	BR `S` HOOKS REPL PV100012BR
10	PD030006	1	CAPPED WASHER PAL NUT
11	PE010142	1	3 LOGO XBKXXCHROME
11	PE010143	1	3 LOGO BK/BR
11	PE010144	1	3 LOGO XWHXCHROME
11	PE010145	1	LOGO - WH / BR



Ref #	Part Number	Qty.	Description
1	PE070366	1	WIRE HARNESS



Ref #	Part Number	Qty.	Description
-------	-------------	------	-------------
