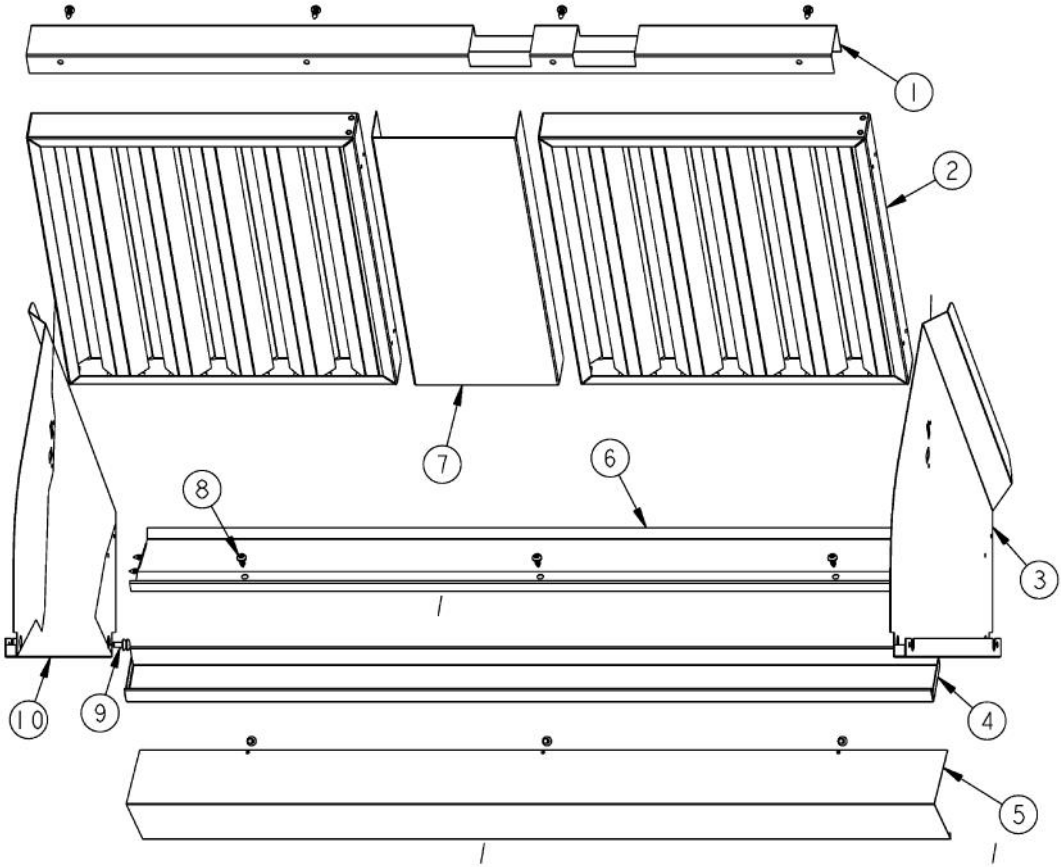
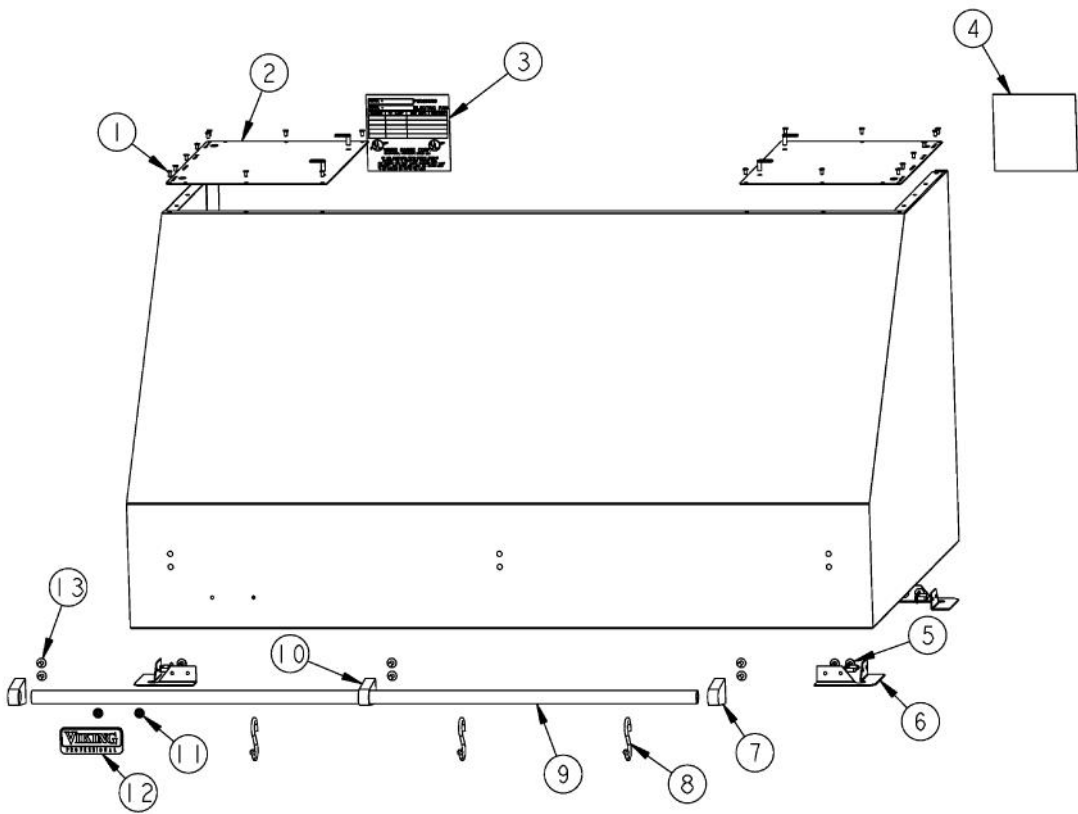


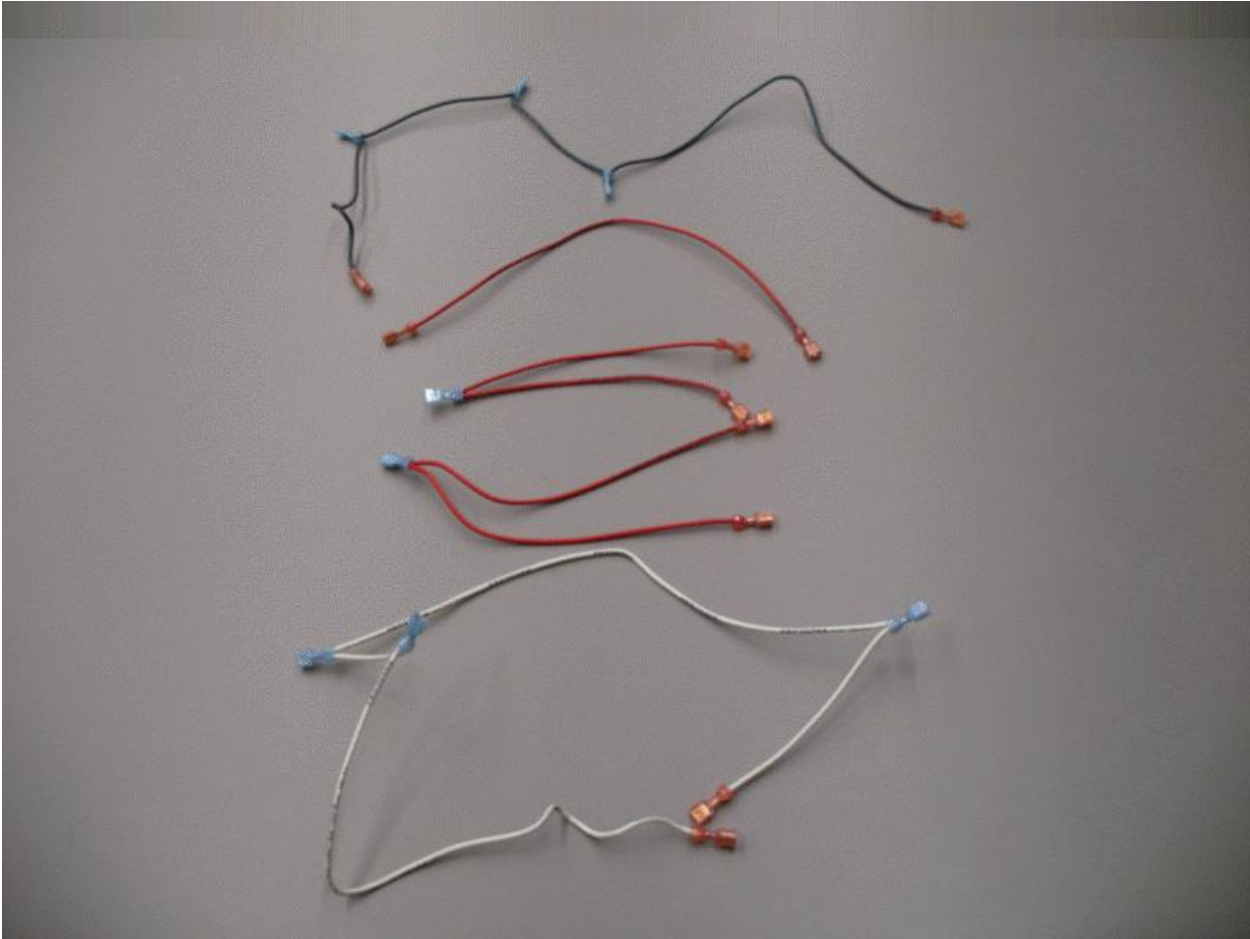
Ref #	Part Number	Qty.	Description
1	A20012429		HEAT LAMP SUPPORT (VWH36)
2	A20011080		BOTTOM LIGHT SUPT (VWH/VBCV/VCWH36)
3	PD020010		10 X 3/8 GREEN GROUNDING SCREW
4	PE070196		FEMALE SOCKET (2 PRONG)
5	PE070197		MALE SOCKET (3 PRONG)
6	PD020087		10 X 1/2 PAN PH. TEK ZINC
7	B2003837		HEAT SENSOR BRKT
8	A2103810		THERMODISC BRACKET
9	PJ030014		HEAT SENSOR (N.O.) 160 DEG.
10	PE050141		PRO LIGHT CONTROL
11	PE050156		PRO BLOWER CONTROL
12	A20016148		LIGHT SUPT BRKT BTM (VWH)
13	A20016143		HEAT LAMP LIGHT BRACKET - LH (AFTER 12/14/04)
14	PC040010		POP RIVET
15	PE050050		HEAT LAMP SWITCH (A111B1100000)
16	PA010071		LIGHT/MOTOR CONTROLLER KNOB
17	PE050048		FAN/LIGHT SWITCH (HOODS) EP0M11J
18	PE040133		CONTROL PANEL PLATE
19	PE050034		HALOGEN BULB 50W
20	PD030059		TINNERMAN CLIP
21	PE070214		DART CLIP
22	G31012427		HEAT LAMP COWLING ASSY
23	PE050032		LIGHT SOCKET, (571V)
24	A20016147		LIGHT SUPPORT BRACKET - LH
25	A20016144		HEAT LAMP LIGHT BRACKET - RH (AFTER 12/14/04)
26	B2003683		CONTROL PANEL (BEFORE 10/01/03)
	B20010206		CONTROL PANEL FORMED (VWH3648) (AFTER 10/01/03)



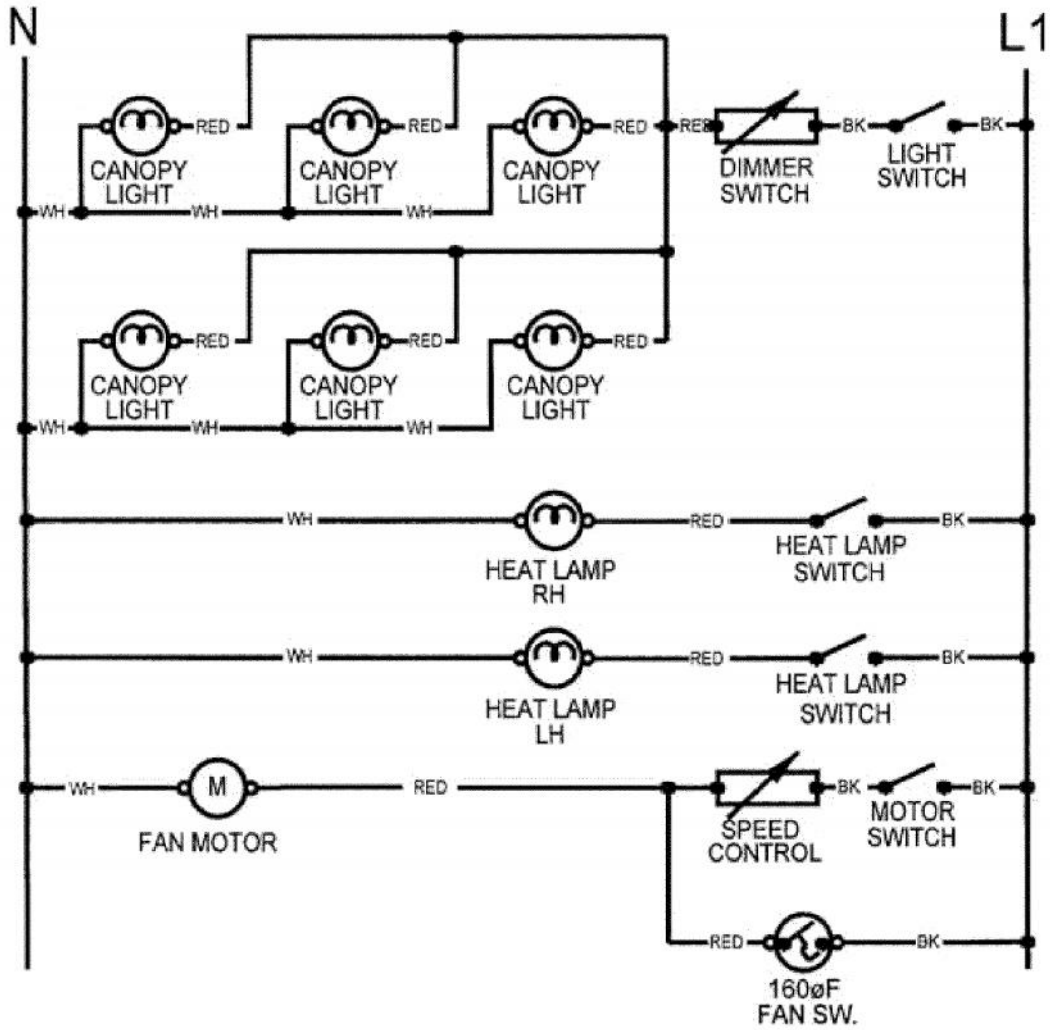
Ref #	Part Number	Qty.	Description
1	B20012462		FILTER SUPPORT BRACKET (AFTER 2/21/05)
2	G3104046		BAFFLE FILTER ASSY (18 HOODS) 13.375 X 14
3	B2003855		HOOD I/S SIDE RH (24 DEEP) (BEFORE 2/21/05)
	B20012488		I/S SIDE - RH (AFTER 2/21/05)
4	B2003868		GREASE TROUGH (VWH3648/78/VIH36)
5	B2003999		HOOD FILTER SUPT BTM (VWH3678) (BEFORE 2/21/05)
	B20011042		REAR FILTER SUPT BOTTOM (VBCV36) (AFTER 2/21/05)
6	B2004000		HOOD FILTER SUPT TOP (VWH3678) (BEFORE 2/21/05)
	B20012487		FILTER SUPPORT TOP (VWH/VBCV/VCWH36) (AFTER 2/21/05)
7	B2003864		FILTER SPACER
8	PD020087		10 X 1/2 PAN PH. TEK ZINC
9	PD020002		10 X 1/2 PH.TR.HD.SMS.
10	B2003856		HOOD I/S SIDE LH (24 DEEP) (BEFORE 2/21/05)
	B20012489		I/S SIDE - LH (AFTER 2/21/05)



Ref #	Part Number	Qty.	Description
1	PC040010		POP RIVET
2	G30013926		HOOD TOP ASSY (VWH3648/78)
3	PE020058		RATING LABEL (ADHESIVE)
4	PF030337		HOOD WARNING LABEL
5	PD020002		10 X 1/2 PH.TR.HD.SMS.
6	A2103817		CORNER BRACKET
7	PE030054		END CAP - SS
	PE030055		END CAP - BR
8	PE030076		CHROME S HOOKS REPL PV100012SS
	PE030077		BR `S` HOOKS REPL PV100012BR
9	PE030058		36 ACCESSORY RAIL SS
	PE030059		36 BRASS ACCESSORY RAIL
10	PE030052		SUPPORT TUBE, HOLE THROUGH
	PE030053		MIDDLE RAIL SUPPORT - BR
11	PD030006		CAPPED WASHER PAL NUT
12	PE010142		3 LOGO XBKXXCHROME
	PE010143		3 LOGO BK/BR
	PE010144		3 LOGO XWHXCHROME
	PE010145		LOGO - WH / BR
13	PD010003		10-24 X 1/2 PH.TR.HD.SERD.M.S.



Ref #	Part Number	Qty.	Description
1	PE070366		WIRE HARNESS



.....

.....

.....

.....

.....

.....

.....

Ref #	Part Number	Qty.	Description
-------	-------------	------	-------------
