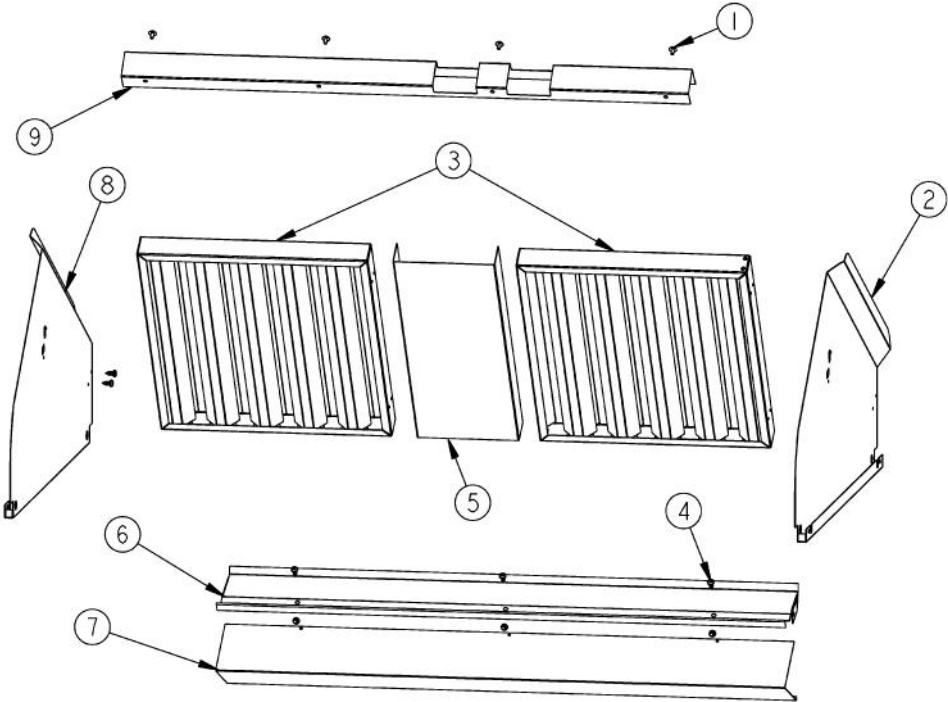
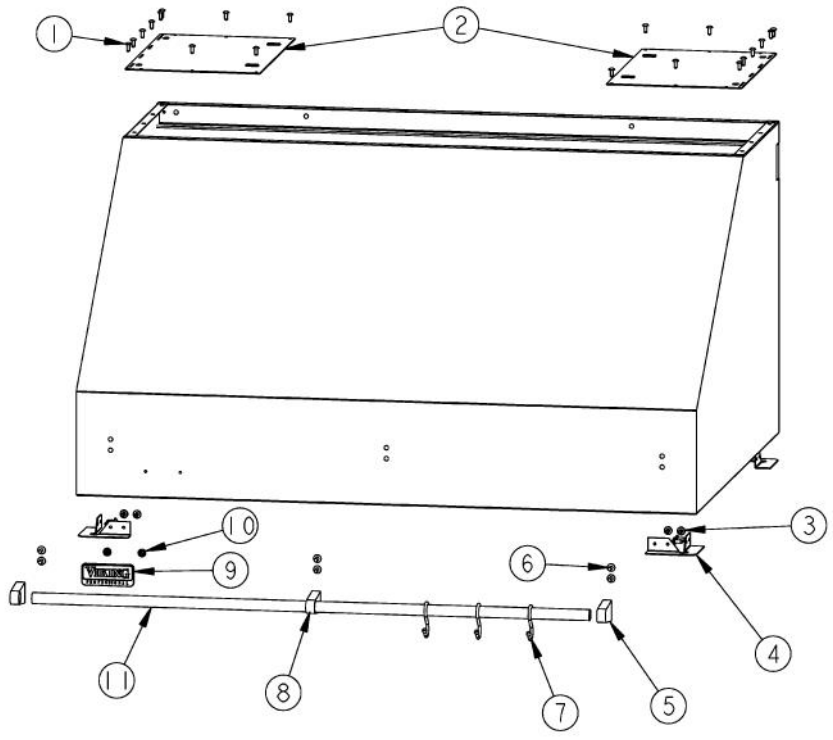


Ref #	Part Number	Qty.	Description
1	A20012468		HEAT LAMP SUPPORT (VWH24)
2	PE070214		DART CLIP
3	G31012427		HEAT LAMP COWLING ASSY
4	PD020087		10 X 1/2 PAN PH. TEK ZINC
5	PE070196		FEMALE SOCKET (2 PRONG)
6	PE070197		MALE SOCKET (3 PRONG)
7	PD020010		10 X 3/8 GREEN GROUNDING SCREW
8	PE050032		LIGHT SOCKET, (571V)
9	A20016144		HEAT LAMP LIGHT BRACKET - RH
10	B2003837		HEAT SENSOR BRKT
11	A2003810		THERMODISC BRACKET
12	A20016148		LIGHT SUPT BRKT BTM (VWH)
13	PE040133		CONTROL PANEL PLATE
14	PE050050		HEAT LAMP SWITCH (A111B1100000)
15	PA010071		LIGHT/MOTOR CONTROLLER KNOB
16	PE050048		FAN/LIGHT SWITCH (HOODS) EP0M11J
17	PE050034		HALOGEN BULB 50W
18	PJ030014		HEAT SENSOR (N.O.) 160 DEG.
19	PE050156		PRO BLOWER CONTROL
20	PE050141		PRO LIGHT CONTROL
21	PD030059		TINNERMAN CLIP
22	A20016147		LIGHT SUPPORT BRACKET - LH
23	PC040010		POP RIVET
24	A20016143		HEAT LAMP LIGHT BRACKET - LH
25	B20010213		CONTROL PANEL FORMED (VWH3678)
26	A20011080		BOTTOM LIGHT SUPT (VWH/VBCV/VCWH36)



Ref #	Part Number	Qty.	Description
1	PD020032		SRW-8(A)X3/8PH.WFR HD 7/16DIAXNICL
2	B20012492		I/S SIDE - RH
3	G3104046		BAFFLE FILTER ASSY (18 HOODS) 13.375 X 14
4	PD020087		10 X 1/2 PAN PH. TEK ZINC
5	B2003864		FILTER SPACER
6	B20012487		FILTER SUPPORT TOP (VWH/VBCV/VCWH36)
7	B20011042		REAR FILTER SUPT BOTTOM (VBCV36)
8	B20012493		I/S SIDE -LH
9	B20012462		FILTER SUPPORT BRACKET
NI	B2003868		GREASE TROUGH (VWH3648/78/VIH36)



Ref #	Part Number	Qty.	Description
1	PC040010		POP RIVET
2	G30013926		HOOD TOP ASSY (VWH3648/78)
3	PD020002		10 X 1/2 PH.TR.HD.SMS.
4	A2103817		CORNER BRACKET
5	PE030054		END CAP - SS
	PE030055		END CAP - BR
6	PD010003		10-24 X 1/2 PH.TR.HD.SERD.M.S.
7	PE030076		CHROME S HOOKS REPL PV100012SS
	PE030077		BR `S` HOOKS REPL PV100012BR
8	PE030052		SUPPORT TUBE, HOLE THROUGH
	PE030053		MIDDLE RAIL SUPPORT - BR
9	PE010142		3 LOGO XBKXXCHROME
	PE010143		3 LOGO BK/BR
	PE010144		3 LOGO XWHXCHROME
	PE010145		LOGO - WH / BR
10	PD030006		CAPPED WASHER PAL NUT
11	PE030058		36 ACCESSORY RAIL SS
	PE030059		36 BRASS ACCESSORY RAIL

1

**WARNING - TO REDUCE THE RISK OF A RANGE TOP GREASE FIRE:**

**A-KEEP FAN AND GREASE LADEN SURFACES CLEAN**



**B-FREQUENT REMOVAL AND CLEANING OF FILTERS IS RECOMMENDED.**

**C-EXERCISE CARE WHEN USING CLEANING AGENTS AND DETERGENTS**

PF030337

2

MODEL *	PE020058	
SERIAL *	ELECTRIC FAN	
BLOWER	HT. LAMP	MAX AMPS * 120V/60HZ



**VIKING RANGE CORP.**  
 GREENWOOD, MISSISSIPPI 38930 USA

30" MIN. CLEARANCE ABOVE COOKING SURFACE  
 SUITABLE FOR IN HOUSEHOLD COOKING AREA  
 FOR MODELS WITH HEAT LAMPS, MAXIMUM HEAT LAMP  
 WATTAGE - 250 WATTS PER LAMP. ALL OTHER LIGHT  
 TO BE MAXIMUM 50 WATTS PER LAMP.

Ref #	Part Number	Qty.	Description
1	PF030337		HOOD WARNING LABEL
2	PE020058		RATING LABEL (ADHESIVE)





Ref #	Part Number	Qty.	Description
1	PE070366		WIRE HARNESS