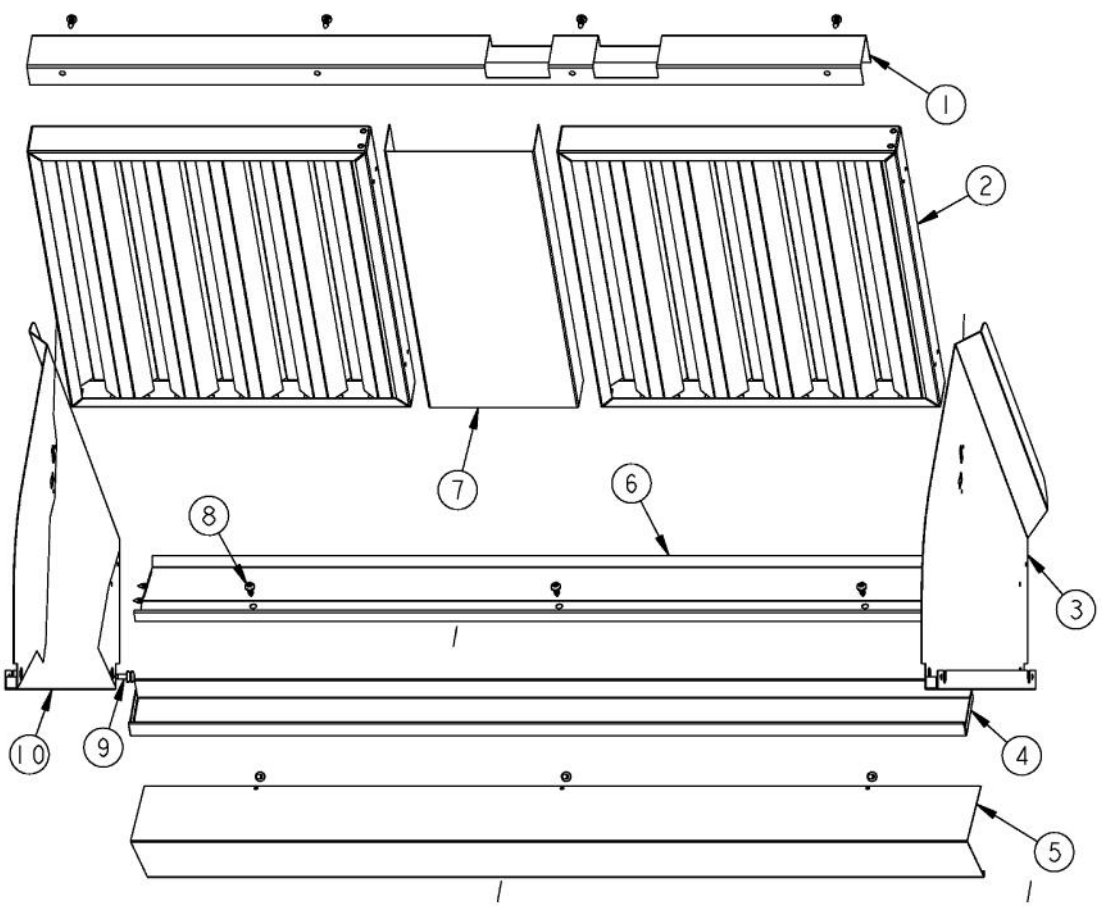
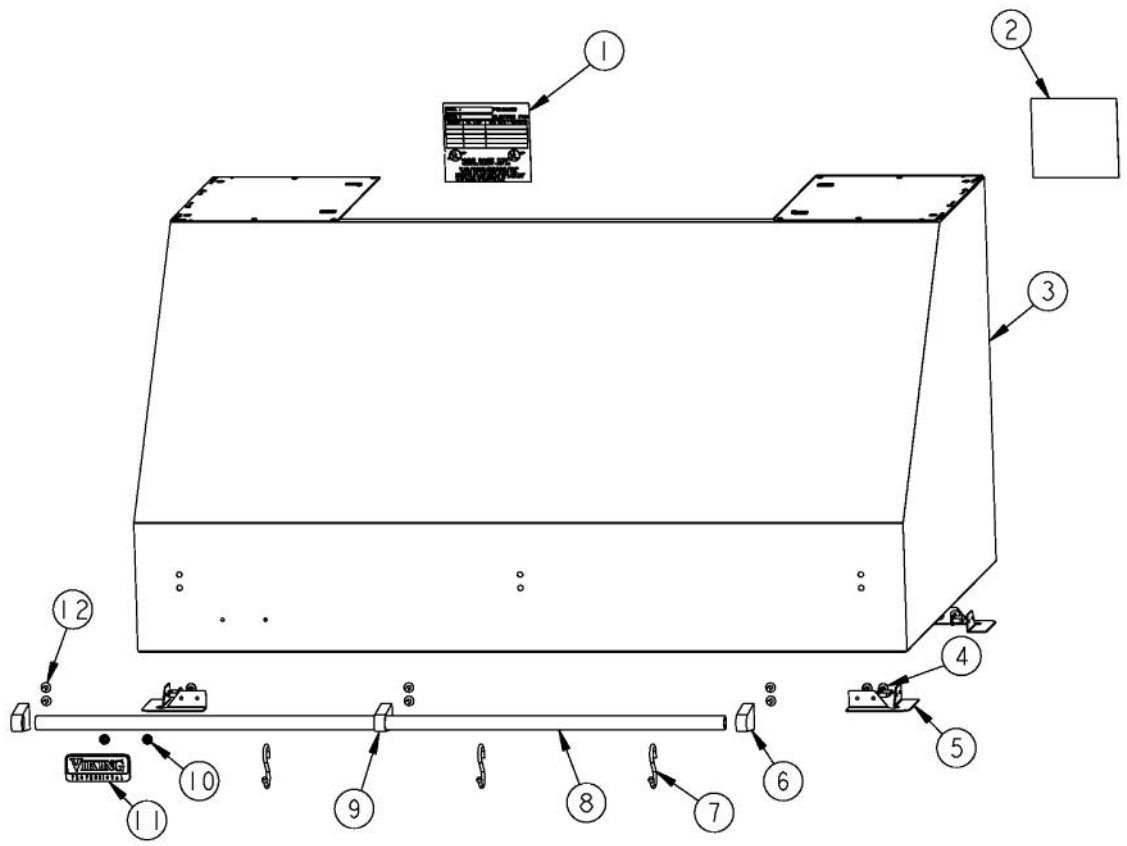


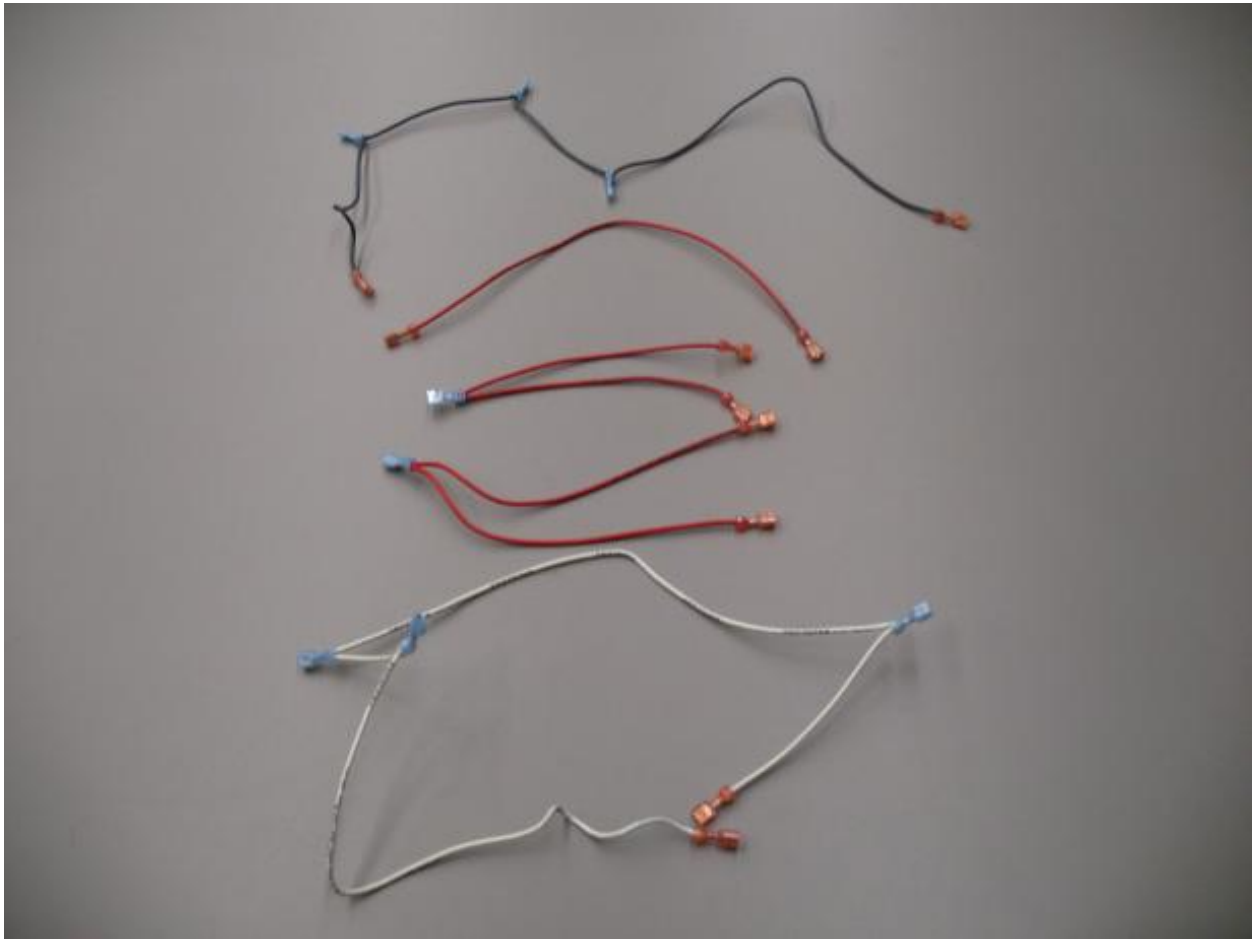
Ref #	Part Number	Qty.	Description
1	A20012429	1	HEAT LAMP SUPPORT (VWH36)
2	A20011080	2	BOTTOM LIGHT SUPT (VWH/VBCV/VCWH36)
3	PD020010	1	10 X 3/8 GREEN GROUNDING SCREW
4	PE070196	1	FEMALE SOCKET (2 PRONG)
5	PE070197	1	MALE SOCKET (3 PRONG)
6	PD020087	2	10 X 1/2 PAN PH. TEK ZINC
7	B2003837	1	HEAT SENSOR BRKT
8	A2103810	1	THERMODISC BRACKET
9	PJ030014	1	HEAT SENSOR (N.O.) 160 DEG.
10	PE050141	1	PRO LIGHT CONTROL
11	PE050156	1	PRO BLOWER CONTROL
12	A20016148	1	LIGHT SUPT BRKT BTM (VWH)
13	A20016143	1	HEAT LAMP LIGHT BRACKET - LH
14	PC040010	12	POP RIVET
15	PE050050	1	HEAT LAMP SWITCH (A111B1100000)
16	PA010071	2	LIGHT/MOTOR CONTROLLER KNOB
17	PE050048	2	FAN/LIGHT SWITCH (HOODS) EP0M11J
18	PE040133	1	CONTROL PANEL PLATE
19	PE050034	2	HALOGEN BULB 50W
20	PD030059	2	TINNERMAN CLIP
21	PE070214	2	DART CLIP
22	G31012427	1	HEAT LAMP COWLING ASSY
23	013549-000	3	LIGHT SOCKET (125C LEADS)
24	A20016147	1	LIGHT SUPPORT BRACKET - LH
25	A20016144	1	HEAT LAMP LIGHT BRACKET - RH
26	B20010213	1	CONTROL PANEL FORMED (VWH3678)
NI	021299-000	1	JUNCTION BOX COVER PLATE
NI	PD020087	1	10 X 1/2 PAN PH. TEK ZINC
NI	019561-000	1	ENCLOSED JUNCTION BOX
NI	PE070204	1	HEYCO STRAIN RELIEF - 7-P2
NI	PE070205	1	3 PRONG FEMALE SUPPLY CORD



Ref #	Part Number	Qty.	Description
1	B20012462	1	FILTER SUPPORT BRACKET
2	G3104046	2	BAFFLE FILTER ASSY (18 HOODS) 13.375 X 14
3	B20012488	1	I/S SIDE - RH
4	B2003868	1	GREASE TROUGH (VWH3648/78/VIH36)
5	B20011042	1	REAR FILTER SUPT BOTTOM (VBCV36)
6	B20012487	1	FILTER SUPPORT TOP (VWH/VBCV/VCWH36)
7	B2003864	1	FILTER SPACER
8	PD020087	10	10 X 1/2 PAN PH. TEK ZINC
9	PD020002	4	10 X 1/2 PH.TR.HD.SMS.
10	B20012489	1	I/S SIDE - LH

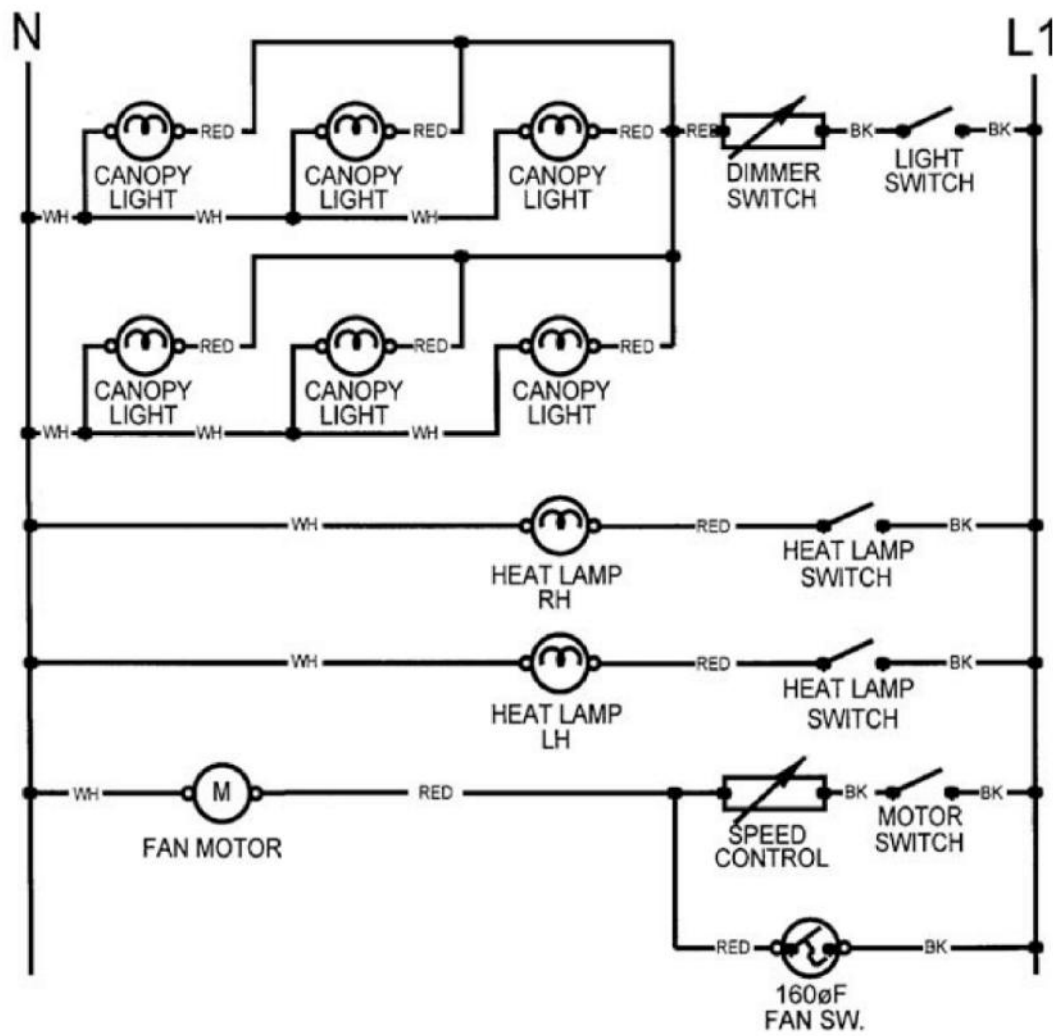


Ref #	Part Number	Qty.	Description
1	PE020058	1	RATING LABEL (ADHESIVE)
2	PF030337	1	HOOD WARNING LABEL
3	UNSERVICEABLE	1	OVEN CAVITY, ASM 36
4	PD020002	8	10 X 1/2 PH.TR.HD.SMS.
5	A2103817	4	CORNER BRACKET
6	PE030054	2	END CAP - SS
7	PE030055	2	END CAP - BR
7	PE030076	4	CHROME S HOOKS REPL PV100012SS
8	PE030077	4	BR `S` HOOKS REPL PV100012BR
8	PE030058	1	36 ACCESSORY RAIL SS
9	PE030059	1	36 BRASS ACCESSORY RAIL
9	PE030052	1	SUPPORT TUBE, HOLE THROUGH
10	PE030053	1	MIDDLE RAIL SUPPORT - BR
10	PD030006	2	CAPPED WASHER PAL NUT
11	PE010142	1	3 LOGO XBKXXCHROME
12	PE010143	1	3 LOGO BK/BR
12	PE010144	1	3 LOGO XWHXCHROME
12	PE010145	1	LOGO - WH / BR
12	PD020009	6	10 X 1 PH. HD. PAN HD. SMS



Ref #	Part Number	Qty.	Description
1	PE070366	1	WIRE HARNESS





Ref #	Part Number	Qty.	Description
-------	-------------	------	-------------

---