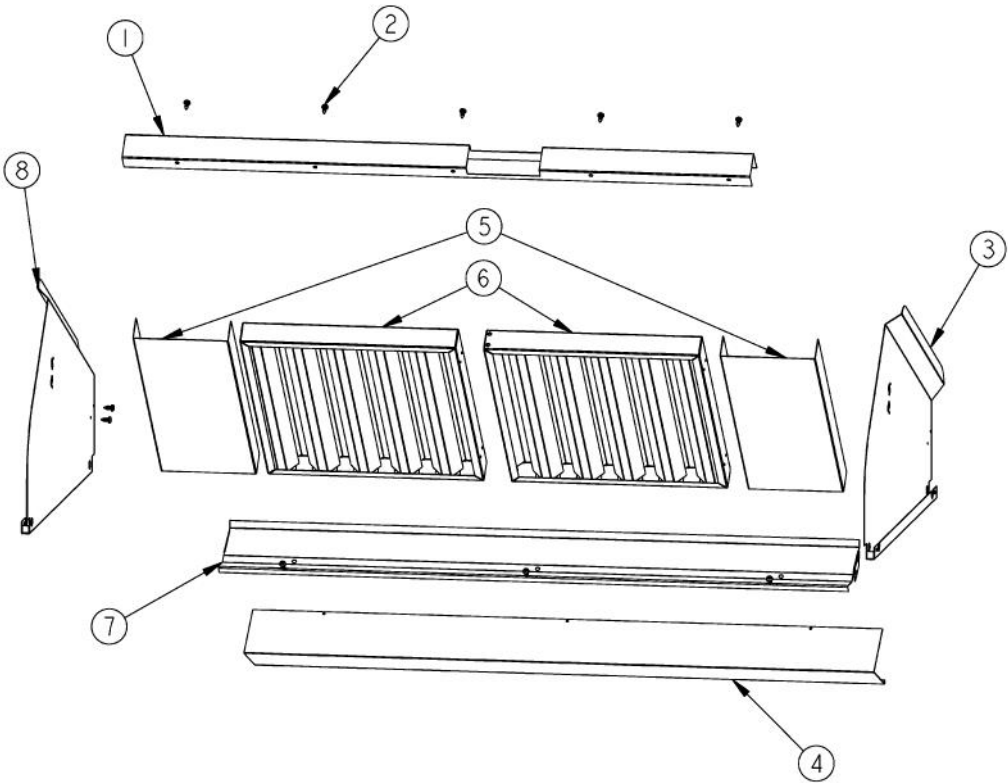
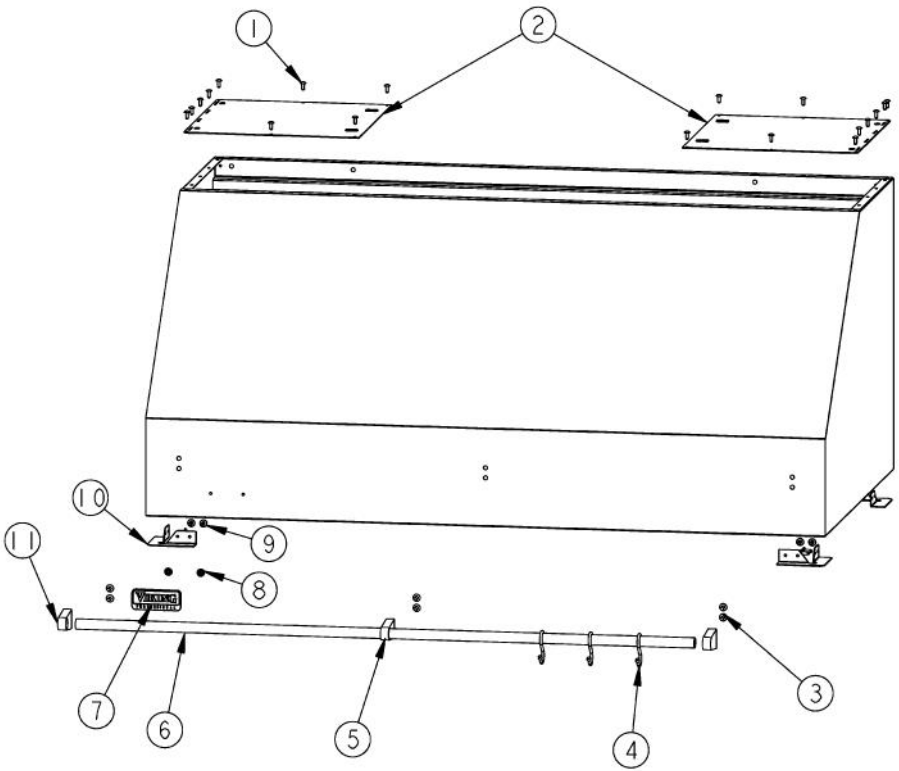


Ref #	Part Number	Qty.	Description
1	A20012430		HEAT LAMP SUPPORT (VWH42)
2	PE070214		DART CLIP
3	A20011081		BOTTOM LIGHT SUPT (VWH/VBCV/VCWH42)
4	G31012427		HEAT LAMP COWLING ASSY
5	PE070196		FEMALE SOCKET (2 PRONG)
6	PD020087		10 X 1/2 PAN PH. TEK ZINC
7	PE070197		MALE SOCKET (3 PRONG)
8	PD020010		10 X 3/8 GREEN GROUNDING SCREW
9	PE050032		LIGHT SOCKET, (571V)
10	PC040010		POP RIVET
11	B2003837		HEAT SENSOR BRKT
12	A2003810		THERMODISC BRACKET
13	A20016144		HEAT LAMP LIGHT BRACKET - RH
14	A20016148		LIGHT SUPT BRKT BTM (VWH)
15	PE040133		CONTROL PANEL PLATE
16	PD030059		TINNERMAN CLIP
17	PJ030014		HEAT SENSOR (N.O.) 160 DEG.
18	PE050034		HALOGEN BULB 50W
19	PE050050		HEAT LAMP SWITCH (A111B1100000)
20	PA010071		LIGHT/MOTOR CONTROLLER KNOB
21	PE050048		FAN/LIGHT SWITCH (HOODS) EP0M11J
22	PE050156		PRO BLOWER CONTROL
23	PE050141		PRO LIGHT CONTROL
24	A20016147		LIGHT SUPPORT BRACKET - LH
25	A20016143		HEAT LAMP LIGHT BRACKET - LH
26	B20010207		CONTROL PANEL FORMED (VWH4248)



Ref #	Part Number	Qty.	Description
1	B20012463		FILTER SUPPORT BRACKET
2	PD020087		10 X 1/2 PAN PH. TEK ZINC
3	B20012488		I/S SIDE - RH
4	B20011029		FILTER SUPPORT BTM (VCWH42)
5	B2003864		FILTER SPACER
6	G3104046		BAFFLE FILTER ASSY (18 HOODS) 13.375 X 14
7	B20011030		FILTER SUPPORT TOP (VCWH42)
8	B20012489		I/S SIDE - LH
NI	B2003887		GREASE TROUGH (VWH4248)/78



Ref #	Part Number	Qty.	Description
1	PC040010		POP RIVET
2	G30013927		HOOD TOP ASSY (VWH4248/78)
3	PD010003		10-24 X 1/2 PH.TR.HD.SERD.M.S.
4	PE030076		CHROME S HOOKS REPL PV100012SS
	PE030077		BR `S` HOOKS REPL PV100012BR
5	PE030052		SUPPORT TUBE, HOLE THROUGH
6	PE030121		ACCESSORY RAIL - SS
	F0003870		42 - XBRX CUT TO SIZE FRONT/REAR R
7	PE010142		3 LOGO XBKXXCHROME
	PE010143		3 LOGO BK/BR
	PE010144		3 LOGO XWHXCHROME
	PE010145		LOGO - WH / BR
8	PD030006		CAPPED WASHER PAL NUT
9	PD020002		10 X 1/2 PH.TR.HD.SMS.
10	A2103817		CORNER BRACKET
11	PE030054		END CAP - SS
	PE030055		END CAP - BR

1



**WARNING - TO REDUCE THE RISK OF A RANGE TOP GREASE FIRE:**

**A-KEEP FAN AND GREASE LADEN SURFACES CLEAN**

**B-FREQUENT REMOVAL AND CLEANING OF FILTERS IS RECOMMENDED.**



**C-EXERCISE CARE WHEN USING CLEANING AGENTS AND DETERGENTS**

PF030337

2



MODEL *	PE020058	
SERIAL *	ELECTRIC FAN	
BLOWER	HT. LAMP	MAX AMPS * 120V/60HZ



**VIKING RANGE CORP.**  
 GREENWOOD, MISSISSIPPI 38930 USA

30" MIN. CLEARANCE ABOVE COOKING SURFACE  
 SUITABLE FOR IN HOUSEHOLD COOKING AREA  
 FOR MODELS WITH HEAT LAMPS, MAXIMUM HEAT LAMP  
 WATTAGE - 250 WATTS PER LAMP. ALL OTHER LIGHT  
 TO BE MAXIMUM 50 WATTS PER LAMP.

Ref #	Part Number	Qty.	Description
1	PF030337		HOOD WARNING LABEL
2	PE020058		RATING LABEL (ADHESIVE)





Ref #	Part Number	Qty.	Description
1	PE070366		WIRE HARNESS