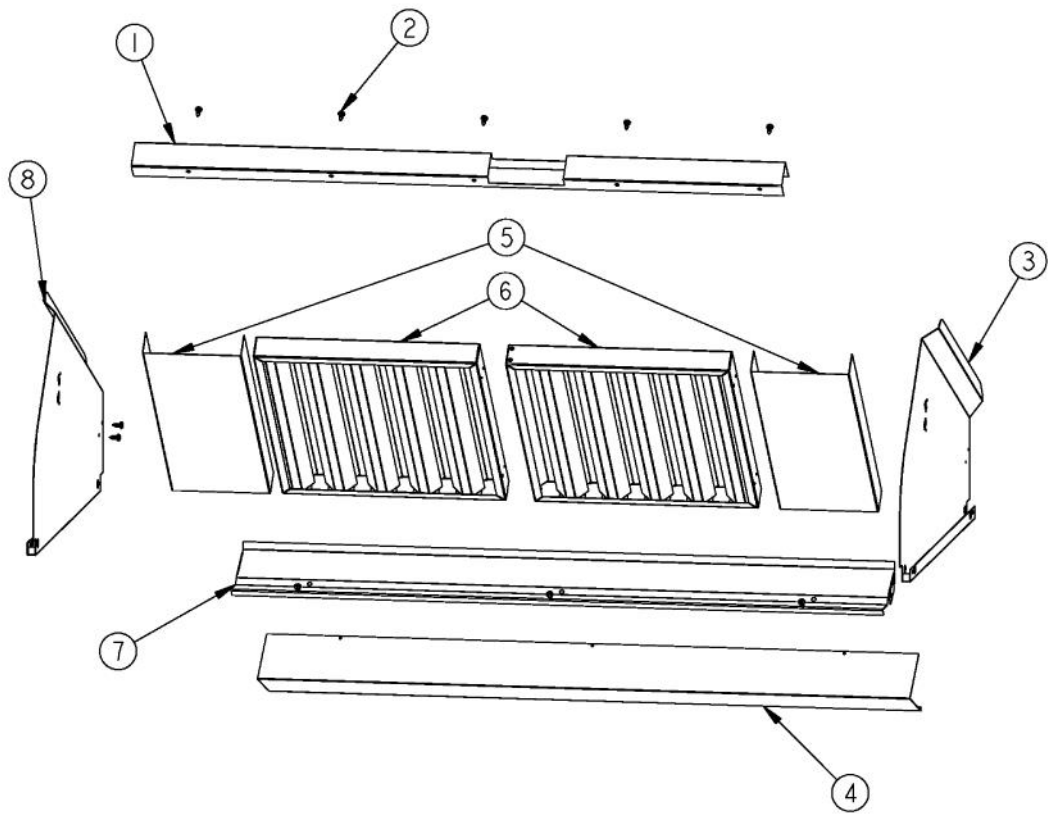
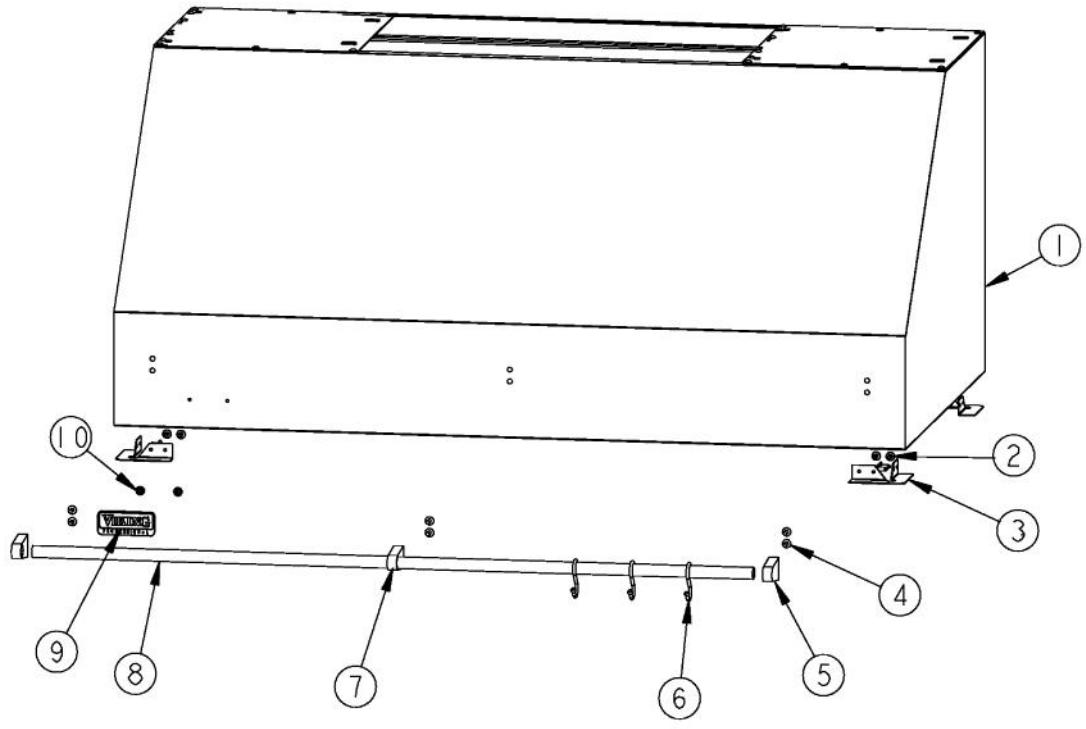


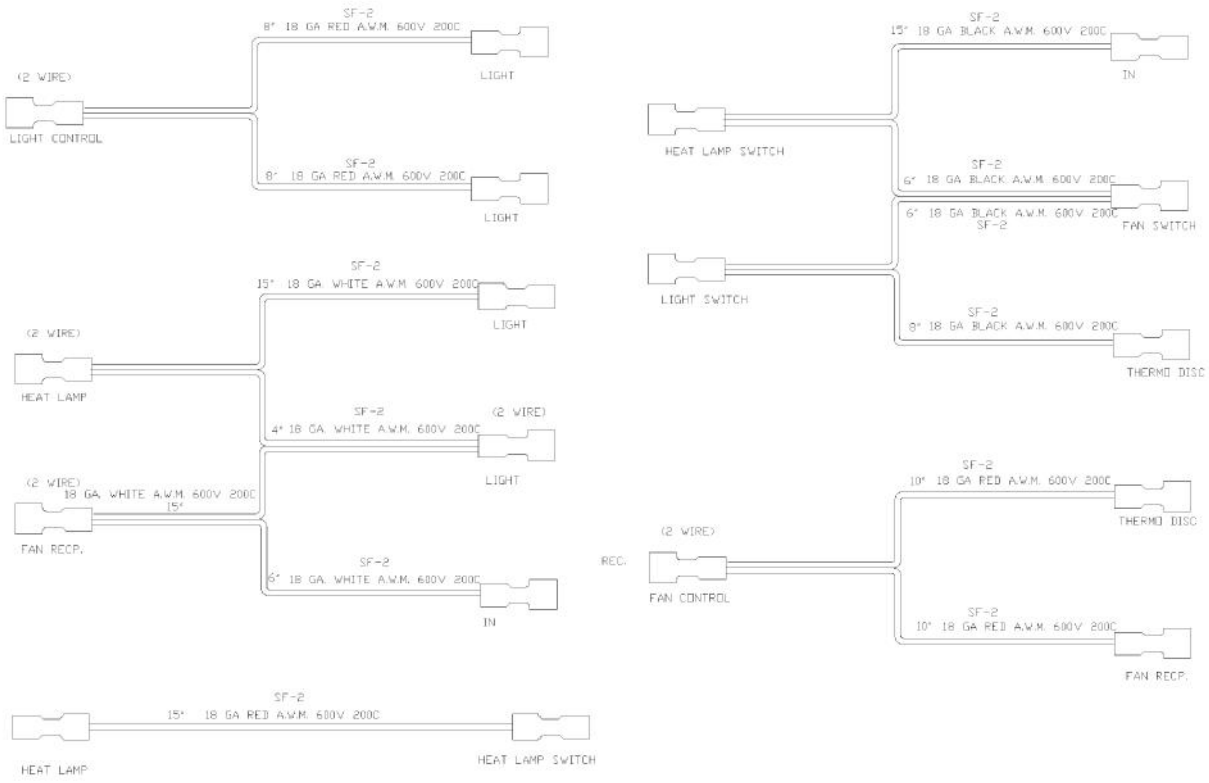
Ref #	Part Number	Qty.	Description
1	A20012430	1	HEAT LAMP SUPPORT (VWH42)
2	PE070214	2	DART CLIP
3	A20011081	1	BOTTOM LIGHT SUPT (VWH/VBCV/VCWH42)
4	G31012427	1	HEAT LAMP COWLING ASSY
5	PE070196	1	FEMALE SOCKET (2 PRONG)
6	PD020087	2	10 X 1/2 PAN PH. TEK ZINC
7	PE070197	1	MALE SOCKET (3 PRONG)
8	PD020010	1	10 X 3/8 GREEN GROUNDING SCREW
9	013549-000	3	LIGHT SOCKET (125C LEADS)
10	PC040010	18	POP RIVET
11	B2003837	1	HEAT SENSOR BRKT
12	A2003810	1	THERMODISC BRACKET
13	A20016144	1	HEAT LAMP LIGHT BRACKET - RH
14	A20016148	1	LIGHT SUPT BRKT BTM (VWH)
15	PE040133	1	CONTROL PANEL PLATE
16	PD030059	2	TINNERMAN CLIP
17	PJ030014	1	HEAT SENSOR (N.O.) 160 DEG.
18	PE050034	2	HALOGEN BULB 50W
19	PE050050	1	HEAT LAMP SWITCH (A111B1100000)
20	PA010071	2	LIGHT/MOTOR CONTROLLER KNOB
21	PE050048	2	FAN/LIGHT SWITCH (HOODS) EP0M11J
22	PE050156	1	PRO BLOWER CONTROL
23	PE050141	1	PRO LIGHT CONTROL
24	A20016147	1	LIGHT SUPPORT BRACKET - LH
25	A20016143	1	HEAT LAMP LIGHT BRACKET - LH
26	B20010207	1	CONTROL PANEL FORMED (VWH4248)
NI	019561-000	1	ENCLOSED JUNCTION BOX
NI	PE070204	1	HEYCO STRAIN RELIEF - 7-P2
NI	PE070205	1	3 PRONG FEMALE SUPPLY CORD



Ref #	Part Number	Qty.	Description
1	B20012463	1	FILTER SUPPORT BRACKET
2	PD020087	11	10 X 1/2 PAN PH. TEK ZINC
3	B20012488	1	I/S SIDE - RH
4	B20011029	1	FILTER SUPPORT BTM (VCWH42)
5	B2003864	2	FILTER SPACER
6	G3104046	2	BAFFLE FILTER ASSY (18 HOODS) 13.375 X 14
7	B20011030	1	FILTER SUPPORT TOP (VCWH42)
8	B20012489	1	I/S SIDE - LH
NI	B2003887	1	GREASE TROUGH (VWH4248)/78



Ref #	Part Number	Qty.	Description
1	UNSERVICEABLE	1	OVEN CAVITY, ASM 36
2	PD010003	8	10-24 X 1/2 PH.TR.HD.SERD.M.S.
3	A2103817	4	CORNER BRACKET
4	PD020002	6	10 X 1/2 PH.TR.HD.SMS.
5	PE030054	2	END CAP - SS
5	PE030055	2	END CAP - BR
6	PE030076	4	CHROME S HOOKS REPL PV100012SS
6	PE030077	4	BR `S` HOOKS REPL PV100012BR
7	PE030052	1	SUPPORT TUBE, HOLE THROUGH
7	PE030053	1	MIDDLE RAIL SUPPORT - BR
8	PE030121	1	ACCESSORY RAIL - SS
8	F0003870	1	42 - XBRX CUT TO SIZE FRONT/REAR R
9	PE010142	1	3 LOGO XBKXXCHROME
9	PE010143	1	3 LOGO BK/BR
9	PE010144	1	3 LOGO XWHXCHROME
9	PE010145	1	LOGO - WH / BR
10	PD030006	2	CAPPED WASHER PAL NUT



Ref #	Part Number	Qty.	Description
1	PE070366	1	WIRE HARNESS