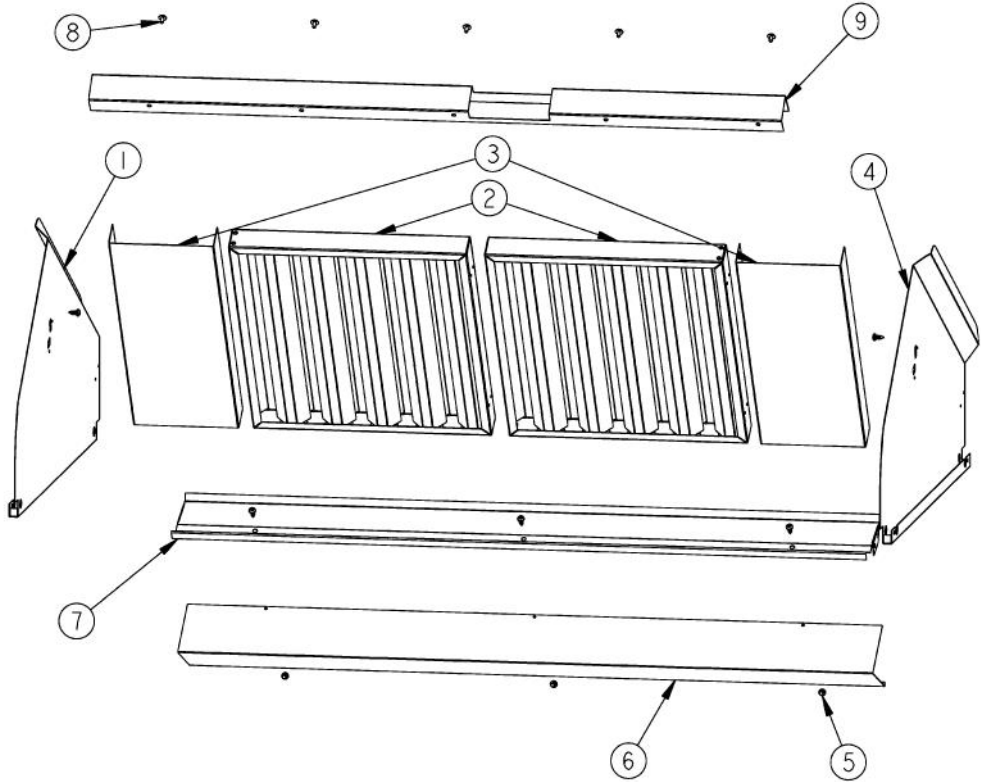
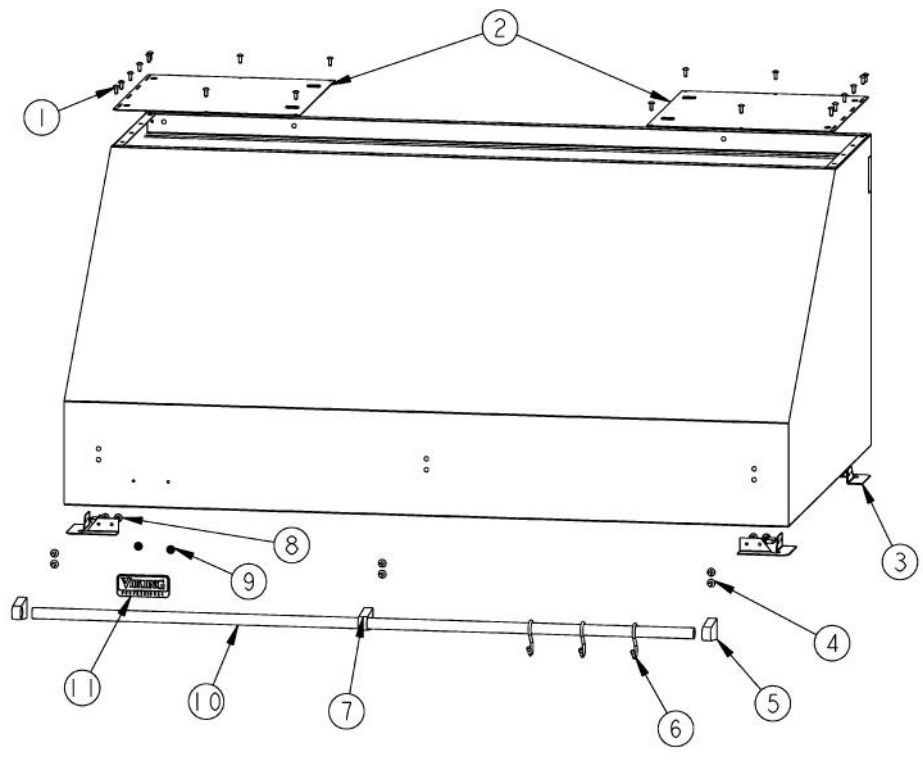


| Ref # | Part Number | Qty. | Description |
|-------|-------------|------|-------------------------------------|
| 1 | A20012430 | | HEAT LAMP SUPPORT (VWH42) |
| 2 | PE070214 | | DART CLIP |
| 3 | PE050032 | | LIGHT SOCKET, (571V) |
| 4 | G31012427 | | HEAT LAMP COWLING ASSY |
| 5 | PE070196 | | FEMALE SOCKET (2 PRONG) |
| 6 | PE070197 | | MALE SOCKET (3 PRONG) |
| 7 | PD020010 | | 10 X 3/8 GREEN GROUNDING SCREW |
| 8 | A20011081 | | BOTTOM LIGHT SUPT (VWH/VBCV/VCWH42) |
| 9 | A20016144 | | HEAT LAMP LIGHT BRACKET - RH |
| 10 | PC040010 | | POP RIVET |
| 11 | A20016148 | | LIGHT SUPT BRKT BTM (VWH) |
| 12 | A2003810 | | THERMODISC BRACKET |
| 13 | B2003837 | | HEAT SENSOR BRKT |
| 14 | PD020087 | | 10 X 1/2 PAN PH. TEK ZINC |
| 15 | PJ030014 | | HEAT SENSOR (N.O.) 160 DEG. |
| 16 | PE050156 | | PRO BLOWER CONTROL |
| 17 | PE050141 | | PRO LIGHT CONTROL |
| 18 | PE050050 | | HEAT LAMP SWITCH (A111B1100000) |
| 19 | PA010071 | | LIGHT/MOTOR CONTROLLER KNOB |
| 20 | PE050048 | | FAN/LIGHT SWITCH (HOODS) EP0M11J |
| 21 | PE040133 | | CONTROL PANEL PLATE |
| 22 | PE050034 | | HALOGEN BULB 50W |
| 23 | PD030059 | | TINNERMAN CLIP |
| 24 | A20016147 | | LIGHT SUPPORT BRACKET - LH |
| 25 | A20016143 | | HEAT LAMP LIGHT BRACKET - LH |
| 26 | B20010214 | | CONTROL PANEL FORMED (VWH4248) |



| Ref # | Part Number | Qty. | Description |
|-------|-------------|------|---|
| 1 | B20012493 | | I/S SIDE -LH |
| 2 | G3104046 | | BAFFLE FILTER ASSY (18 HOODS) 13.375 X 14 |
| 3 | B2003864 | | FILTER SPACER |
| 4 | B20012492 | | I/S SIDE - RH |
| 5 | PD020087 | | 10 X 1/2 PAN PH. TEK ZINC |
| 6 | B20011029 | | FILTER SUPPORT BTM (VCWH42) |
| 7 | B20011030 | | FILTER SUPPORT TOP (VCWH42) |
| 8 | PD020032 | | SRW-8(A)X3/8PH.WFR HD 7/16DIAXNICL |
| 9 | B20012463 | | FILTER SUPPORT BRACKET |



| Ref # | Part Number | Qty. | Description |
|-------|-------------|------|------------------------------------|
| 1 | PC040010 | | POP RIVET |
| 2 | G30013927 | | HOOD TOP ASSY (VWH4248/78) |
| 3 | A2103817 | | CORNER BRACKET |
| 4 | PD010003 | | 10-24 X 1/2 PH.TR.HD.SERD.M.S. |
| 5 | PE030054 | | END CAP - SS |
| | PE030055 | | END CAP - BR |
| 6 | PE030076 | | CHROME S HOOKS REPL PV100012SS |
| | PE030077 | | BR `S` HOOKS REPL PV100012BR |
| 7 | PE030052 | | SUPPORT TUBE, HOLE THROUGH |
| | PE030053 | | MIDDLE RAIL SUPPORT - BR |
| 8 | PD020002 | | 10 X 1/2 PH.TR.HD.SMS. |
| 9 | PD030006 | | CAPPED WASHER PAL NUT |
| 10 | PE030121 | | ACCESSORY RAIL - SS |
| | F0003870 | | 42 - XBRX CUT TO SIZE FRONT/REAR R |
| 11 | PE010142 | | 3 LOGO XBKXXCHROME |
| | PE010143 | | 3 LOGO BK/BR |
| | PE010144 | | 3 LOGO XWHXCHROME |
| | PE010145 | | LOGO - WH / BR |

1



WARNING - TO REDUCE THE RISK OF A RANGE TOP GREASE FIRE:

A-KEEP FAN AND GREASE LADEN SURFACES CLEAN

B-FREQUENT REMOVAL AND CLEANING OF FILTERS IS RECOMMENDED.



C-EXERCISE CARE WHEN USING CLEANING AGENTS AND DETERGENTS

PF030337

2

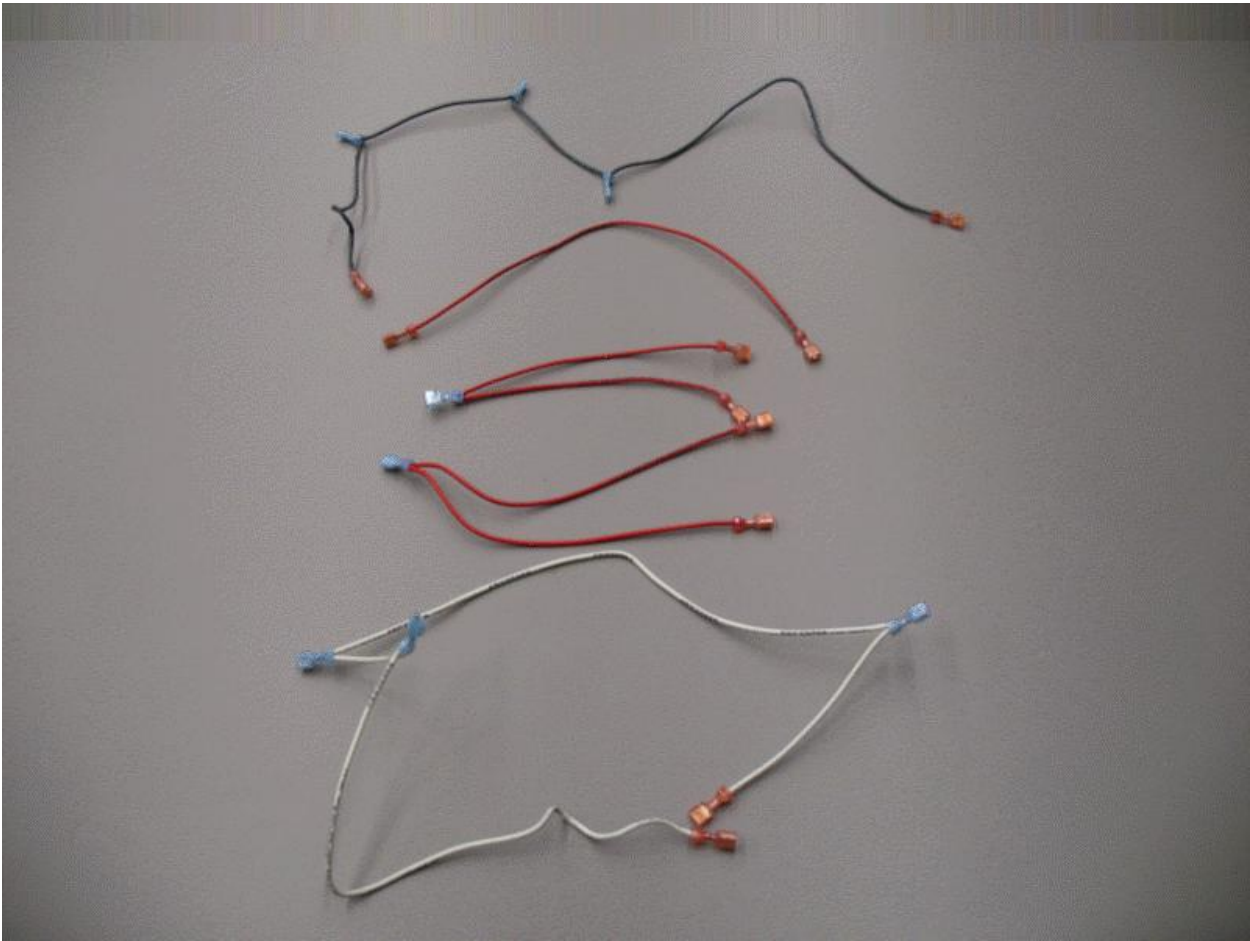


| | | |
|----------|--------------|----------------------|
| MODEL * | PE020058 | |
| SERIAL * | ELECTRIC FAN | |
| BLOWER | HT. LAMP | MAX AMPS * 120V/60HZ |
| | | |
| | | |
| | | |



VIKING RANGE CORP.
 GREENWOOD, MISSISSIPPI 38930 USA

30" MIN. CLEARANCE ABOVE COOKING SURFACE
 SUITABLE FOR IN HOUSEHOLD COOKING AREA
 FOR MODELS WITH HEAT LAMPS, MAXIMUM HEAT LAMP
 WATTAGE - 250 WATTS PER LAMP. ALL OTHER LIGHT
 TO BE MAXIMUM 50 WATTS PER LAMP.

| Ref # | Part Number | Qty. | Description |
|-------|-------------|------|-------------------------|
| 1 | PF030337 | | HOOD WARNING LABEL |
| 2 | PE020058 | | RATING LABEL (ADHESIVE) |



| Ref # | Part Number | Qty. | Description |
|-------|-------------|------|--------------|
| 1 | PE070366 | | WIRE HARNESS |