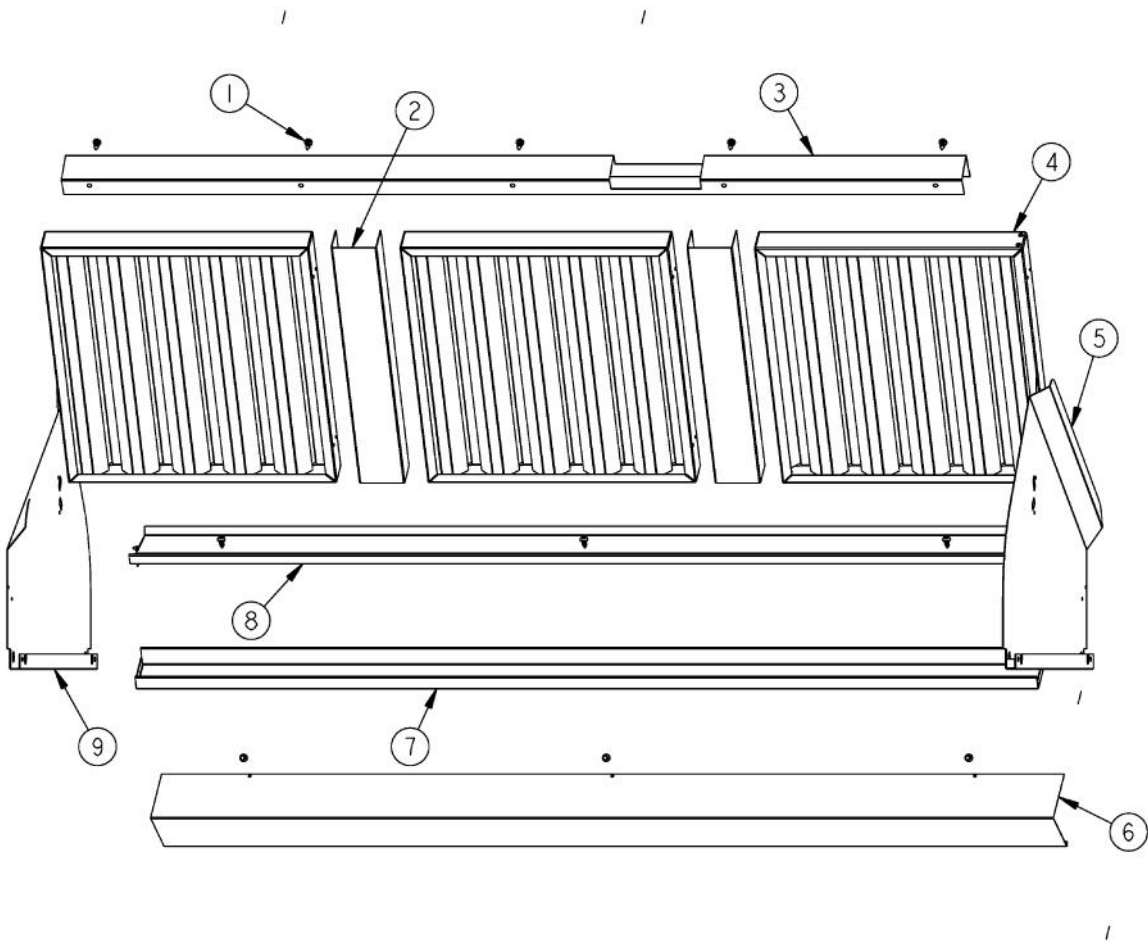
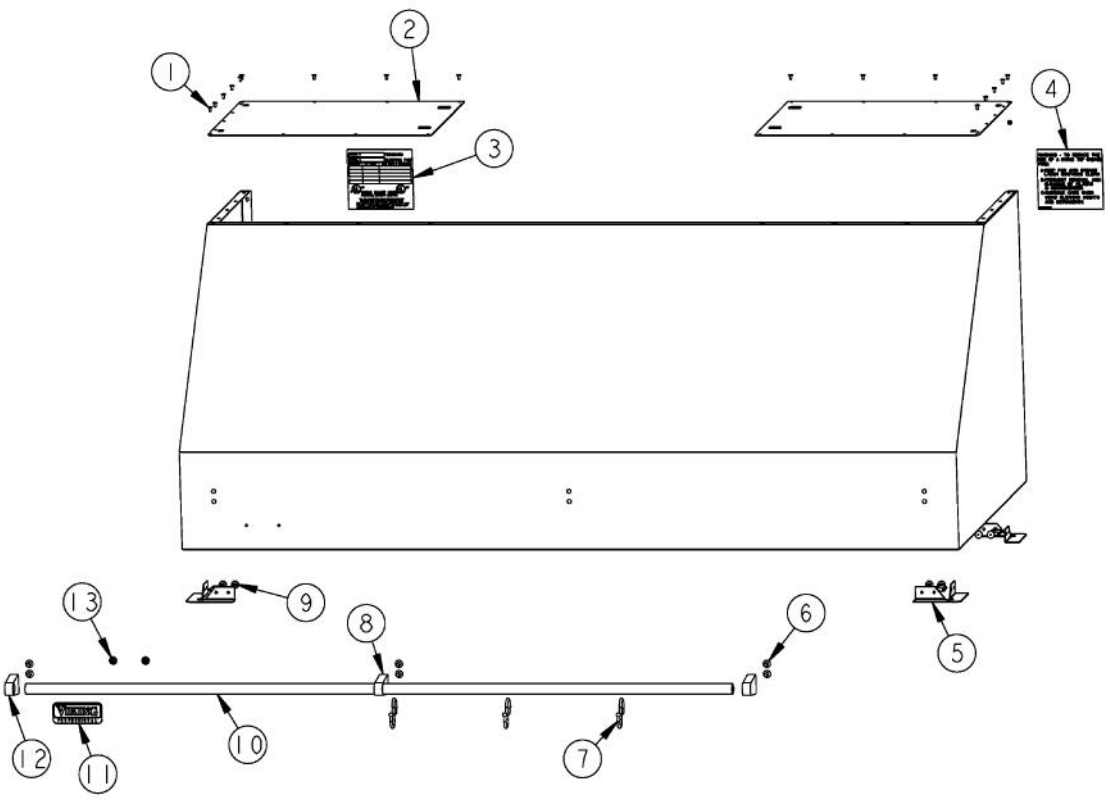


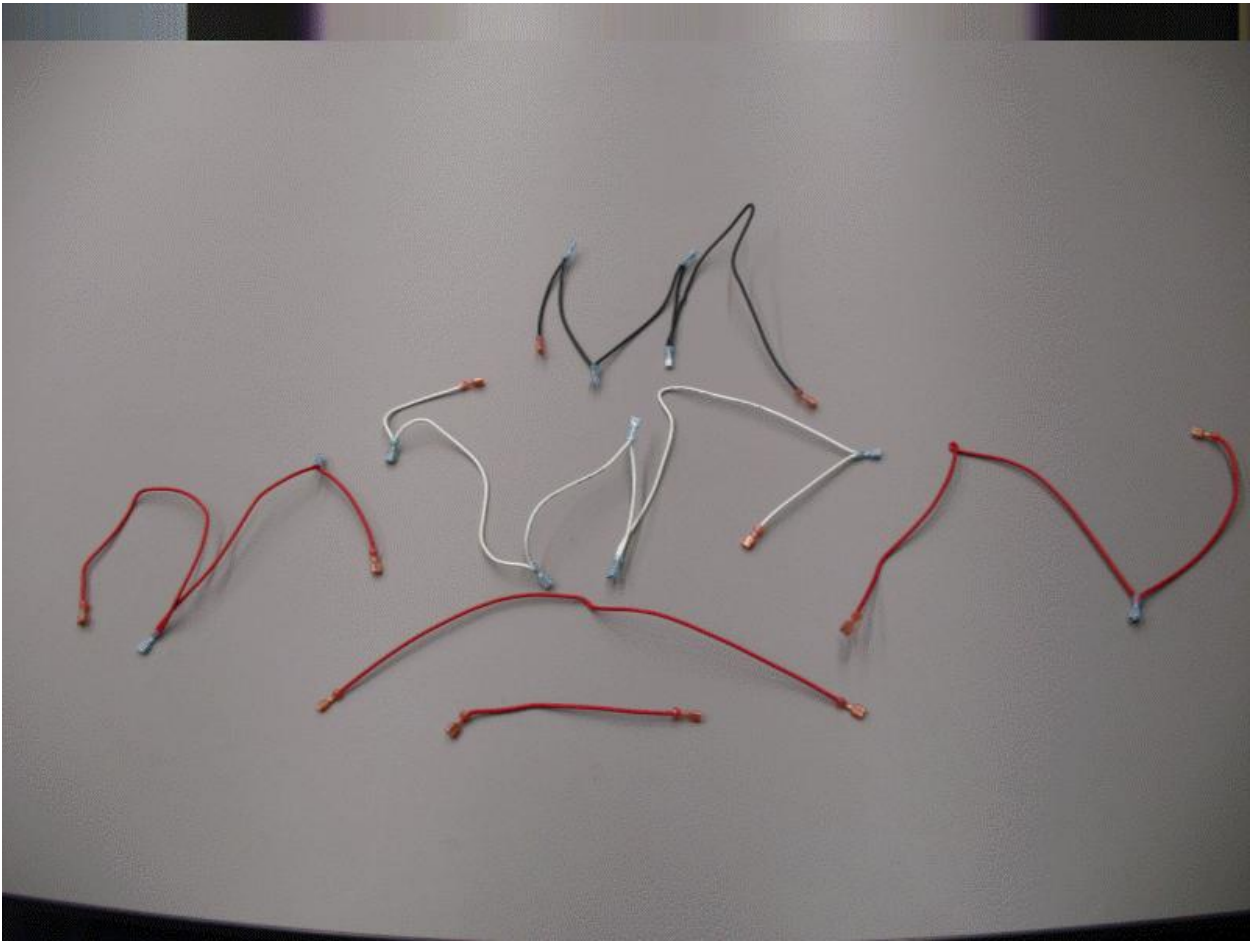
Ref #	Part Number	Qty.	Description
1	A20012431		HEAT LAMP SUPPORT (VWH48)
2	PE070214		DART CLIP
3	A20011004		BOTTOM LIGHT SUPT (VWH/VBCV/VCWH48)
4	PE050032		LIGHT SOCKET, (571V)
5	PE070197		MALE SOCKET (3 PRONG)
6	PE070196		FEMALE SOCKET (2 PRONG)
7	B2003901		CTRL PAN FORMED (VWH4848)
			(BEFORE 10/01/03
	B20010208		CONTROL PANEL FORMED (VWH4848)
			(AFTER 10/01/03)
8	G31012427		HEAT LAMP COWLING ASSY
9	A20016143		HEAT LAMP LIGHT BRACKET - LH
			(AFTER 12/14/04)
10	A20016147		LIGHT SUPPORT BRACKET - LH
11	PD030059		TINNERMAN CLIP
12	PE040134		CONTROL PANEL PLATE
13	PE050048		FAN/LIGHT SWITCH (HOODS) EP0M11J
14	PA010071		LIGHT/MOTOR CONTROLLER KNOB
15	PE050050		HEAT LAMP SWITCH (A111B1100000)
16	PE050034		HALOGEN BULB 50W
17	PC040010		POP RIVET
18	A20016144		HEAT LAMP LIGHT BRACKET - RH
			(AFTER 12/14/04)
19	A20016148		LIGHT SUPT BRKT BTM (VWH)
20	PE050156		PRO BLOWER CONTROL
21	PD020010		10 X 3/8 GREEN GROUNDING SCREW
22	PE050141		PRO LIGHT CONTROL
23	B2003837		HEAT SENSOR BRKT
24	PD020087		10 X 1/2 PAN PH. TEK ZINC
25	A2103810		THERMODISC BRACKET
26	PJ030014		HEAT SENSOR (N.O.) 160 DEG.



Ref #	Part Number	Qty.	Description
1	PD020087		10 X 1/2 PAN PH. TEK ZINC
2	B2003911		FILTER SPACER 48 2.25 X 14
3	B20012464		FILTER SUPPORT BRKT (VWH48) (AFTER 2/21/05)
4	G3104046		BAFFLE FILTER ASSY (18 HOODS) 13.375 X 14
5	B2003855		HOOD I/S SIDE RH (24 DEEP) (BEFORE 2/21/05)
	B20012488		I/S SIDE - RH (AFTER 2/21/05)
6	B2004017		HOOD FILTER SUPT BTM (VWH4848/4878) (BEFORE 2/21/05)
	B20011021		FILTER SUPPORT BTM (VCWH48) (AFTER 2/21/05)
7	B2003906		GREASE TROUGH (VWH4848/78)
8	B2004009		HOOD FILTER SUPT TOP (VWH4278) (BEFORE 2/21/05)
	B20011025		FILTER SUPPORT TOP (VCWH48) (AFTER 2/21/05)
9	B2003856		HOOD I/S SIDE LH (24 DEEP) (BEFORE 2/21/05)
	B20012489		I/S SIDE - LH (AFTER 2/21/05)

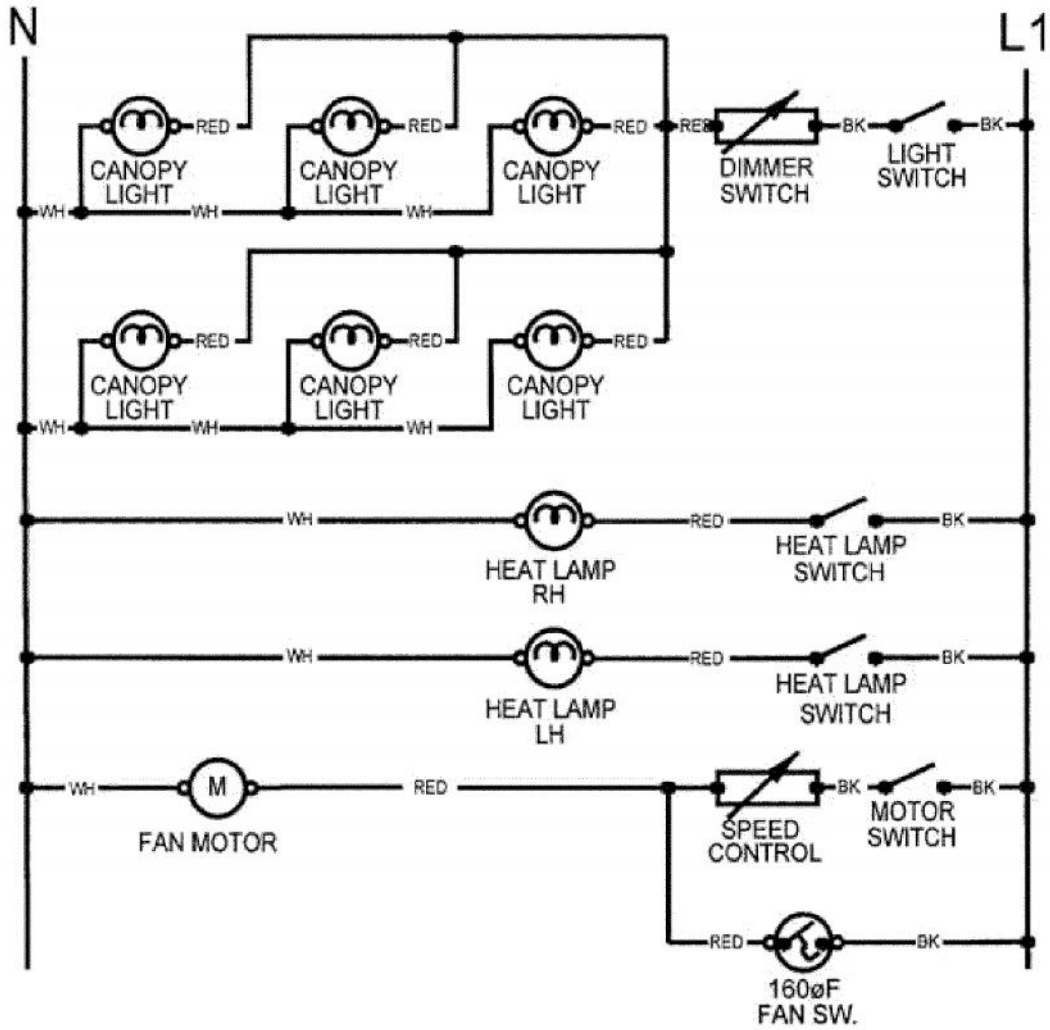


Ref #	Part Number	Qty.	Description
1	PC040010		POP RIVET
2	G30013928		HOOD TOP ASSY (VWH4848/78)
3	PE020058		RATING LABEL (ADHESIVE)
4	PF030337		HOOD WARNING LABEL
5	A2103817		CORNER BRACKET
6	PD010003		10-24 X 1/2 PH.TR.HD.SERD.M.S.
7	PE030076		CHROME S HOOKS REPL PV100012SS
	PE030077		BR `S` HOOKS REPL PV100012BR
8	PE030052		SUPPORT TUBE, HOLE THROUGH
	PE030053		MIDDLE RAIL SUPPORT - BR
9	PD020002		10 X 1/2 PH.TR.HD.SMS.
10	PE030066		48 ACCESORY RAIL SS
	PE030077		BR `S` HOOKS REPL PV100012BR
11	PE010142		3 LOGO XBKXXCHROME
	PE010143		3 LOGO BK/BR
	PE010144		3 LOGO XWHXCHROME
	PE010145		LOGO - WH / BR
12	PE030054		END CAP - SS
	PE030055		END CAP - BR
13	PD030006		CAPPED WASHER PAL NUT



Ref #	Part Number	Qty.	Description
1	PE070367		VWH4848/78 - 5448/78 WIRING HARNESS





.....

.....

.....

.....

.....

.....

.....

Ref #	Part Number	Qty.	Description
-------	-------------	------	-------------

---