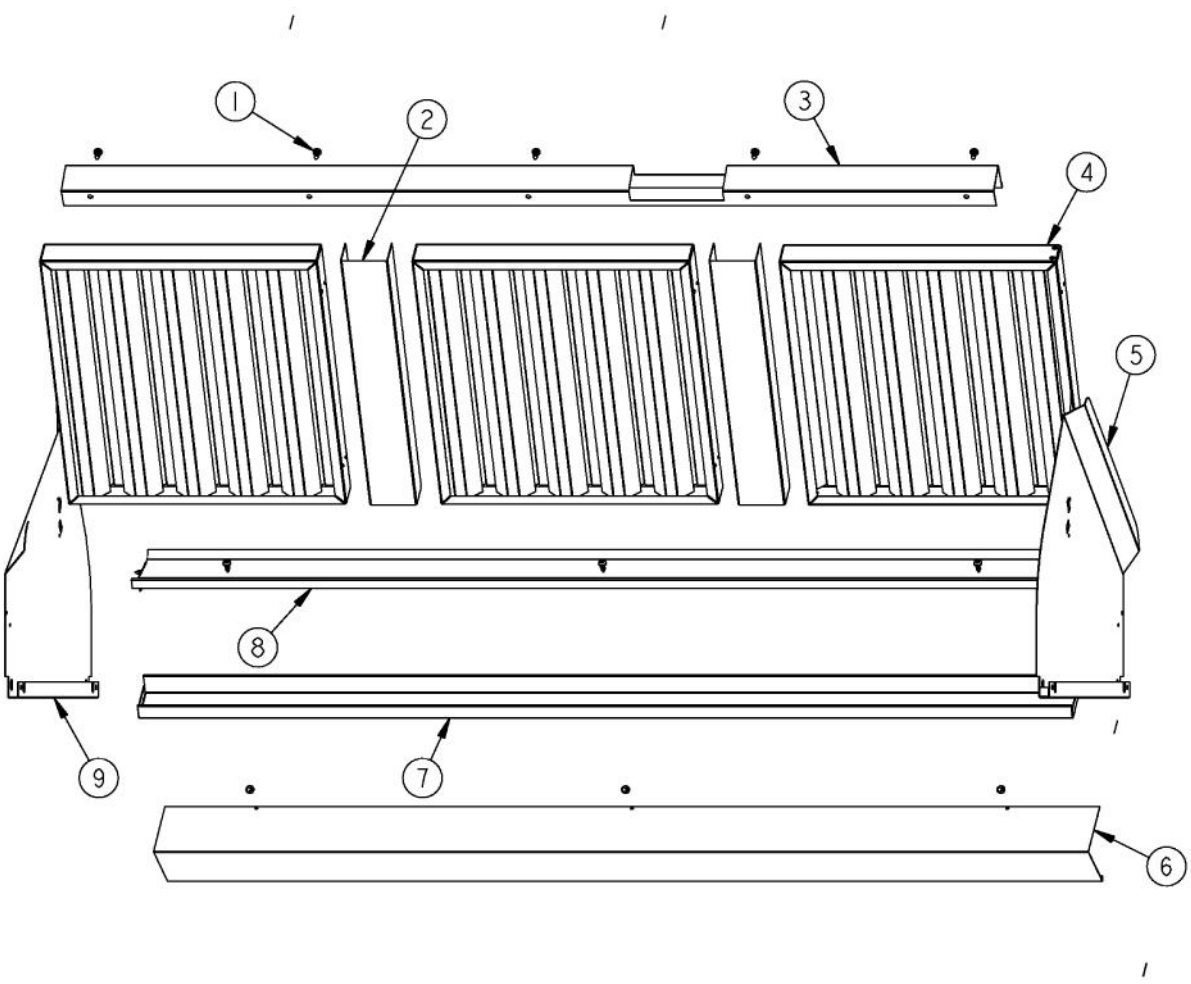
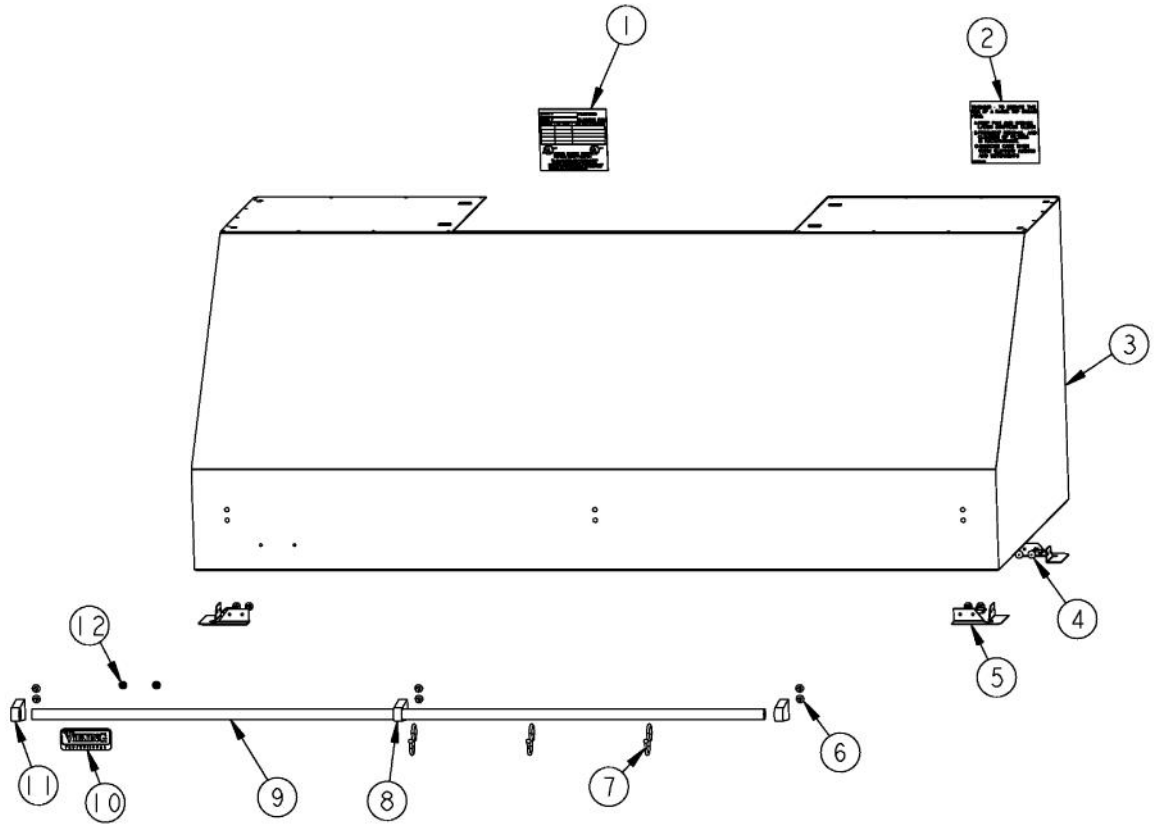


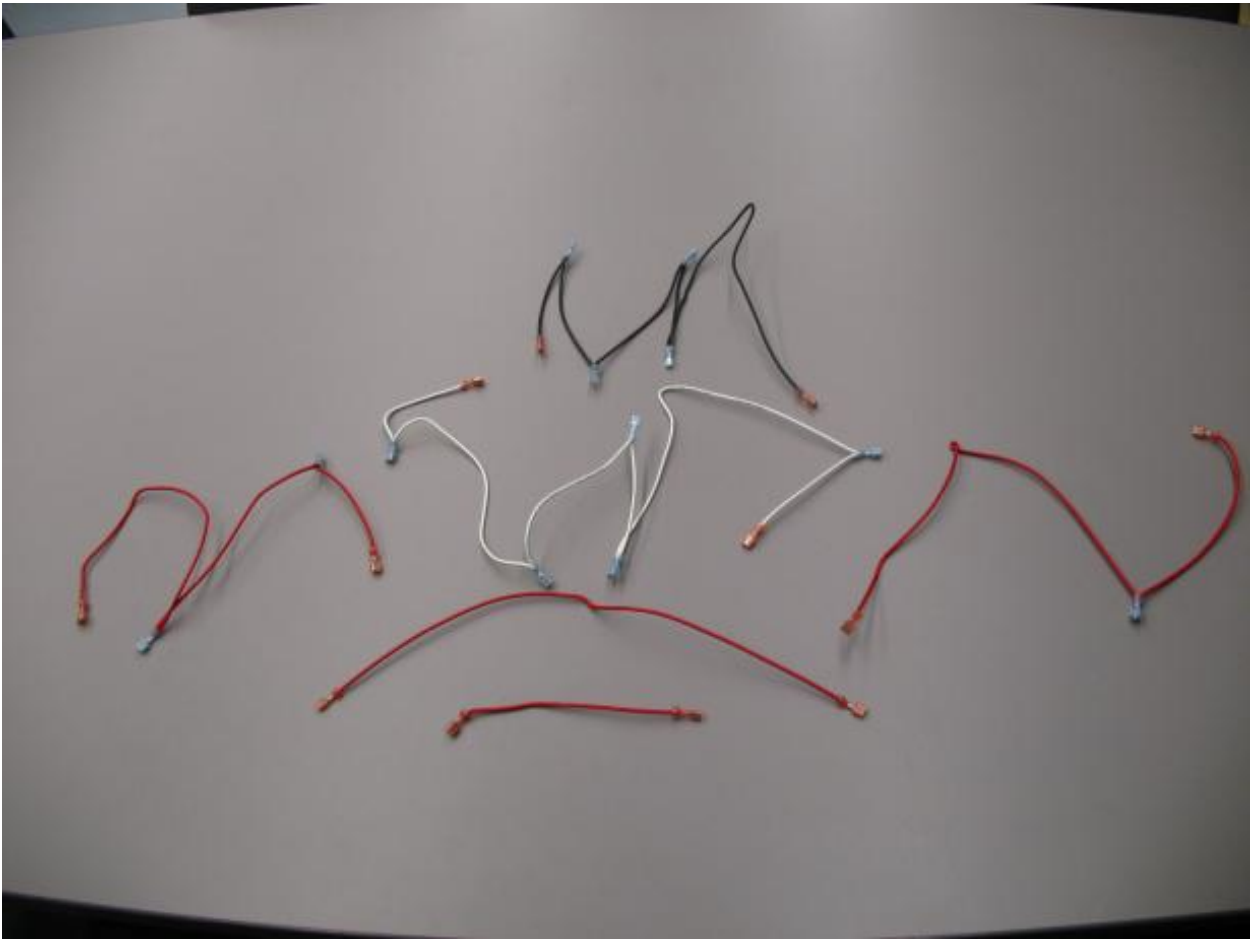
Ref #	Part Number	Qty.	Description
1	A20012431	1	HEAT LAMP SUPPORT (VWH48)
2	PE070214	2	DART CLIP
3	A20011004	1	BOTTOM LIGHT SUPT (VWH/VBCV/VCWH48)
4	013549-000	5	LIGHT SOCKET (125C LEADS)
5	PE070197	1	MALE SOCKET (3 PRONG)
6	PE070196	1	FEMALE SOCKET (2 PRONG)
7	B20010215	1	CONTROL PANEL FORMED (VWH4878)
8	G31012427	2	HEAT LAMP COWLING ASSY
9	A20016143	1	HEAT LAMP LIGHT BRACKET - LH
10	A20010250	1	BOTTOM LIGHT SUPPORT BRACKET - LH
11	PD030059	2	TINNERMAN CLIP
12	PE040134	1	CONTROL PANEL PLATE
13	PE050048	2	FAN/LIGHT SWITCH (HOODS) EP0M11J
14	PA010071	2	LIGHT/MOTOR CONTROLLER KNOB
15	PE050050	1	HEAT LAMP SWITCH (A111B1100000)
16	PE050034	3	HALOGEN BULB 50W
17	PC040010	18	POP RIVET
18	A20016144	1	HEAT LAMP LIGHT BRACKET - RH
19	A20010249	1	LIGHT SUPPORT BRACKET - RH
20	PE050156	1	PRO BLOWER CONTROL
21	PD020010	1	10 X 3/8 GREEN GROUNDING SCREW
22	PE050141	1	PRO LIGHT CONTROL
23	B2003837	1	HEAT SENSOR BRKT
24	PD020087	2	10 X 1/2 PAN PH. TEK ZINC
25	A2103810	1	THERMODISC BRACKET
26	PJ030014	1	HEAT SENSOR (N.O.) 160 DEG.



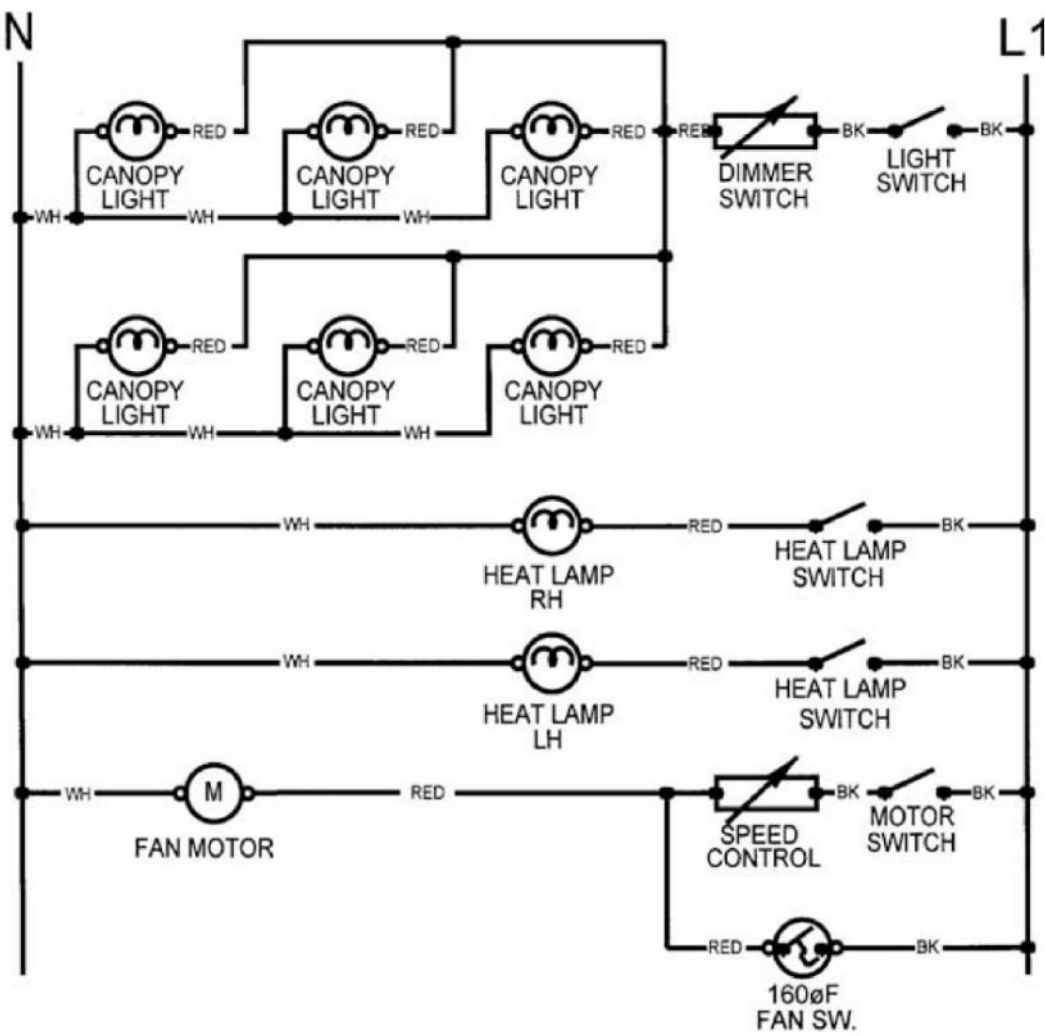
Ref #	Part Number	Qty.	Description
1	PD020087	11	10 X 1/2 PAN PH. TEK ZINC
2	B2003911	2	FILTER SPACER 48 2.25 X 14
3	B20012464	1	FILTER SUPPORT BRKT (VWH48)
4	G3104046	3	BAFFLE FILTER ASSY (18 HOODS) 13.375 X 14
5	B20012492	1	I/S SIDE - RH
6	B20011021	1	FILTER SUPPORT BTM (VCWH48)
7	B2003906	1	GREASE TROUGH (VWH4848/78)
8	B20011028	1	FILTER SUPPORT TOP
9	B20012493	1	I/S SIDE -LH



Ref #	Part Number	Qty.	Description
1	PE020058	1	RATING LABEL (ADHESIVE)
2	PF030337	1	HOOD WARNING LABEL
3	UNSERVICEABLE	1	OVEN CAVITY, ASM 36
4	PD010003	8	10-24 X 1/2 PH.TR.HD.SERD.M.S.
5	A2103817	4	CORNER BRACKET
6	PD020002	6	10 X 1/2 PH.TR.HD.SMS.
7	PE030076	4	CHROME S HOOKS REPL PV100012SS
7	PE030077	4	BR `S` HOOKS REPL PV100012BR
8	PE030052	1	SUPPORT TUBE, HOLE THROUGH
8	PE030053	1	MIDDLE RAIL SUPPORT - BR
9	PE030066	1	48 ACCESORY RAIL SS
9	PE030077	1	BR `S` HOOKS REPL PV100012BR
10	015009-000	1	OUTDOOR LOGO - 3 CHROME
10	015009-100	1	OUTDOOR LOGO - 3 BRASS
11	PE030054	2	END CAP - SS
11	PE030055	2	END CAP - BR
12	PD030006	2	CAPPED WASHER PAL NUT
NI	019561-000	1	ENCLOSED JUNCTION BOX
NI	021299-000	1	JUNCTION BOX COVER PLATE
NI	PE070204	1	HEYCO STRAIN RELIEF - 7-P2
NI	PE070205	1	3 PRONG FEMALE SUPPLY CORD



Ref #	Part Number	Qty.	Description
1	PE070367	1	VWH4848/78 - 5448/78 WIRING HARNESS



Ref #	Part Number	Qty.	Description
-------	-------------	------	-------------

---