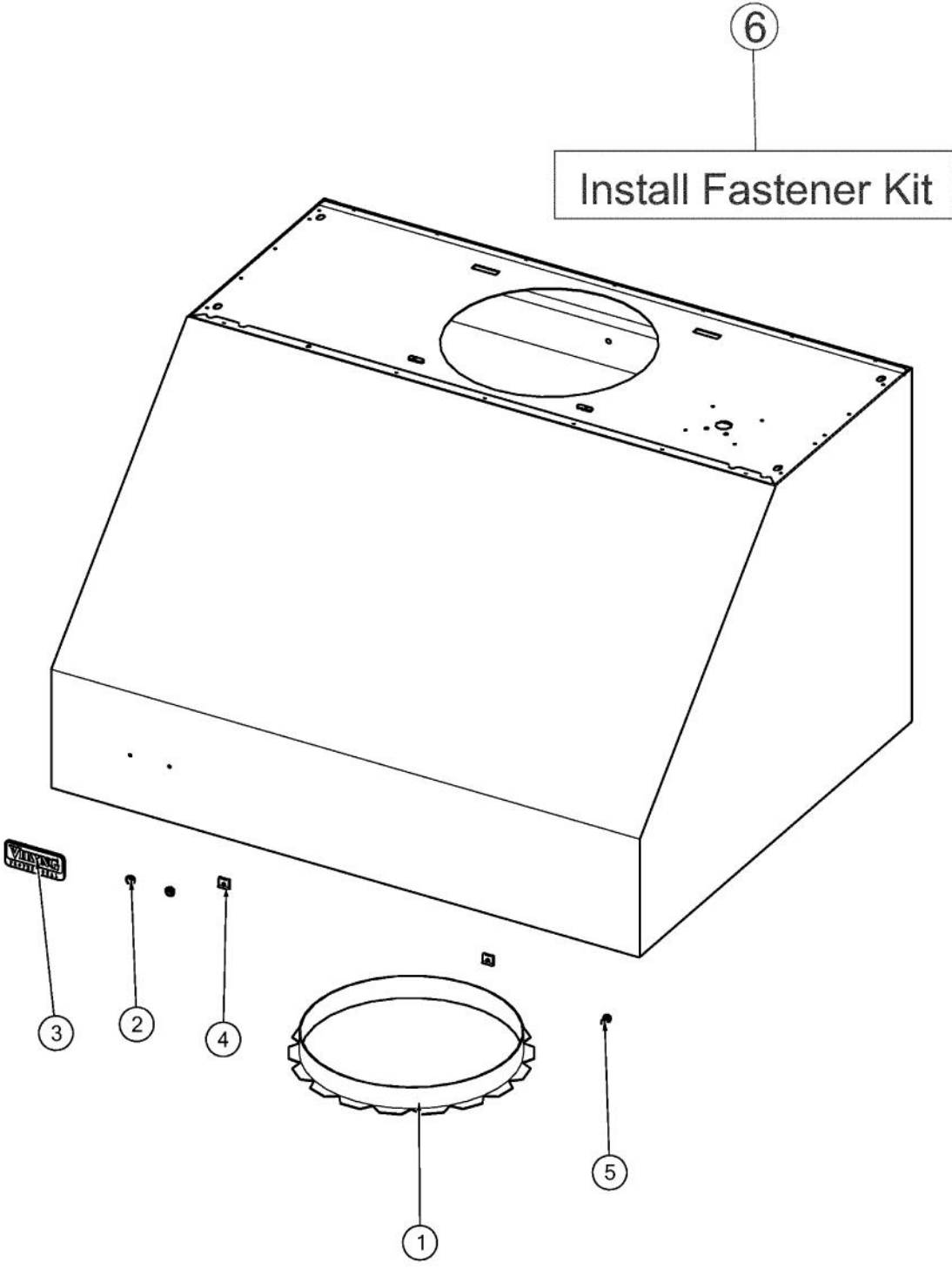
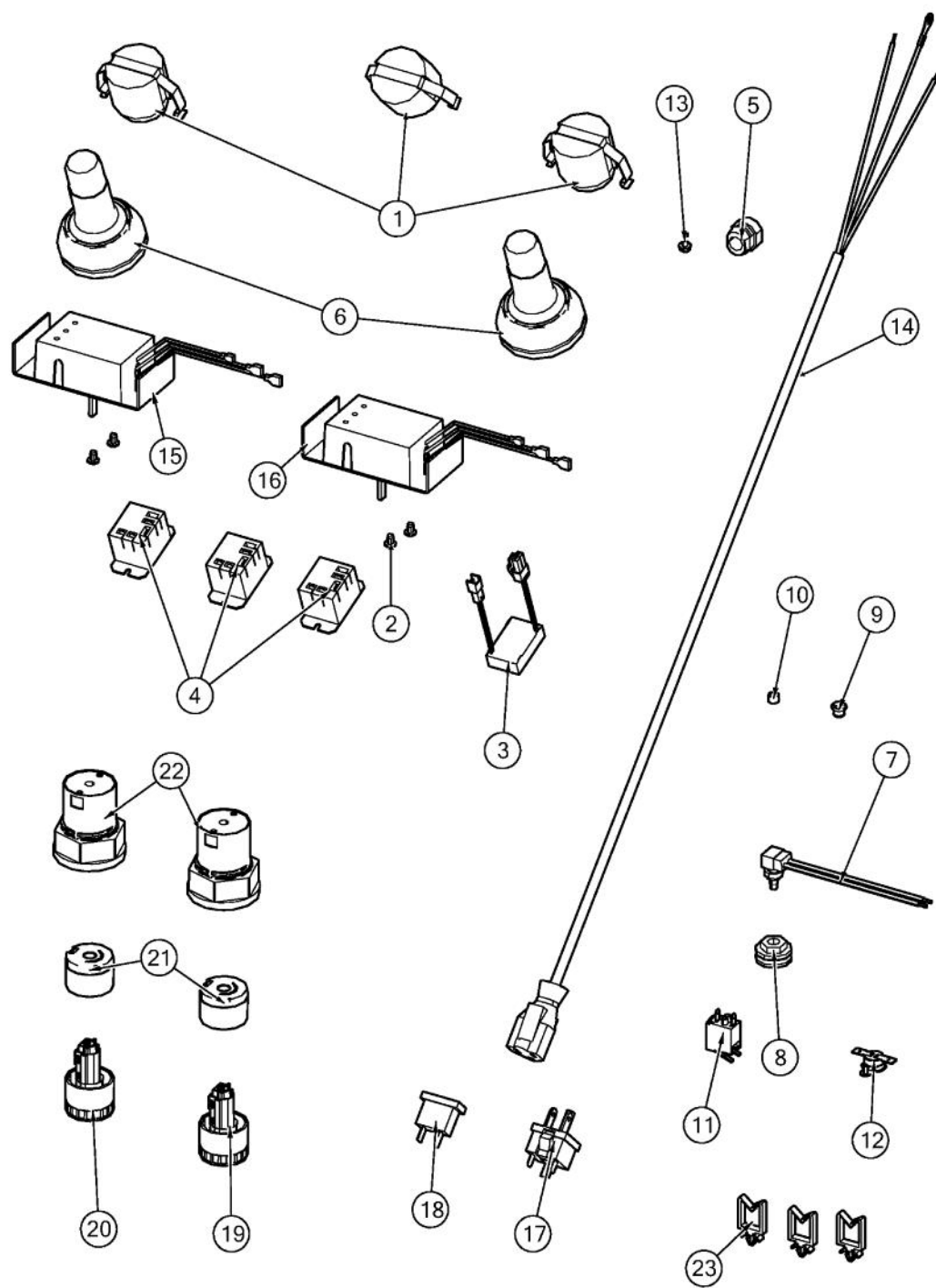


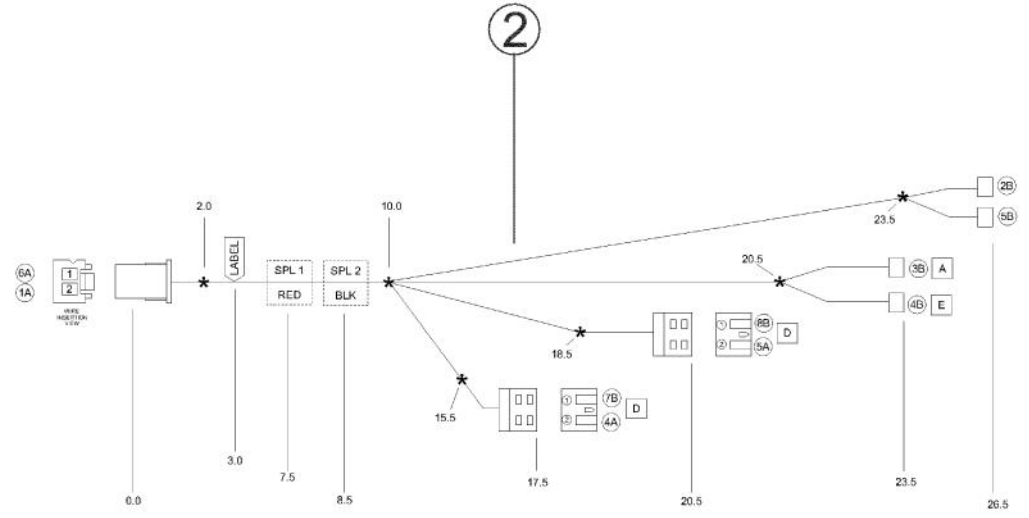
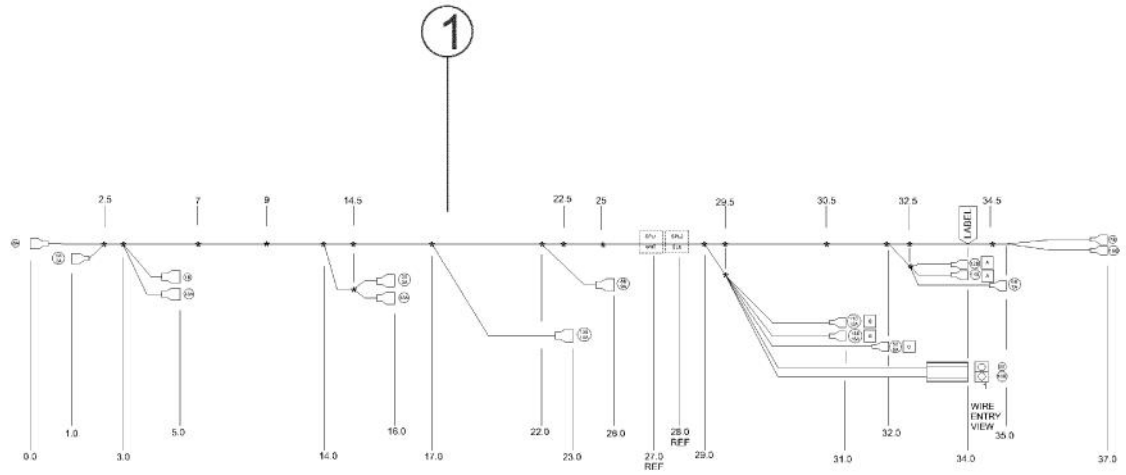
Ref #	Part Number	Qty.	Description
1	042583-000	1	PANEL, HOOD, IS, RH
2	042582-000	1	PANEL, HOOD, IS, LH
3	043133-000	1	TROUGH, GRS, 30
4	046259-000	1	SUPPORT, FLTR, BRKT, 30
5	039635-000	1	SUPPORT, FLTR, REAR, BOT
6	046257-000	1	PANEL, CTRL, HOOD, 30
7	048939-000	2	SPACER, FLTR, 30
8	039622-000	1	SUPPORT, FLTR, TOP
9	042621-000	2	SUPPORT, LT
10	043160-000	2	SUPPORT, SW
11	042711-000	1	SUPPORT, LAMP, HEAT
12	B2003888	1	HEAT LAMP COWLING (18 HIGH HOODS)
13	A2003889	1	COWLING BRKT
14	045696-000	1	BRACKET, TSTAT, 12 HIGH HOODS
15	PD020087	1	10 X 1/2 PAN PH. TEK ZINC
16	037561-000	4	HANDLE, CHROME 3
17	038627-000	8	8-32 X 3/8 PH, PAN, EXT, L/W SEMS SS
18	048311-000	1	THREAD NO.8-18, TYPE AB
19	047860-000	2	BRACKET, STANDOFF
20	038862-000	2	FILTER ASM, W/HANDLES



Ref #	Part Number	Qty.	Description
1	A2005019	1	DCWH HOOD TOP TRANSITION
2	PD030006	2	CAPPED WASHER PAL NUT
3	PE010142	1	3 LOGO XBKXXCHROME
4	PD030059	2	TINNERMAN CLIP
5	PD020087	1	10 X 1/2 PAN PH. TEK ZINC
6	046392-000	1	KIT, INSTL, FASTENER ASSY



Ref #	Part Number	Qty.	Description
1	013549-000	3	LIGHT SOCKET (125C LEADS)
2	PD920162	4	SCR 8-16 PLASTITE PNP 1/4 S
3	045647-000	1	AC/DC CONVERTER, POWERLINE
4	045078-000	3	RELAY, PWR, MINI, 30 AMP
5	PE070204	1	HEYCO STRAIN RELIEF - 7-P2
6	045062-000	2	BULB, LED LIGHT
7	G40015469	1	LIGHT SWITCH ASSEMBLY
8	036576-000	1	SWITCH ASSY
9	027968-000	1	INDICATOR, LIGHT, BLUE
10	PA010093	1	DESIGNER OVEN LT SWITCH KNOB
11	015170-000	1	HOUSING, LIGHT, BLUE NEON, 125V
12	PJ030014	1	HEAT SENSOR (N.O.) 160 DEG.
13	PD020010	1	10 X 3/8 GREEN GROUNDING SCREW
14	039680-000	1	CORD, PWR, SUPPLY, VNT HD
15	043269-000	1	SWITCH, FAN ASSY
16	043270-000	1	SWITCH, LT ASSY
17	PE070197	1	MALE SOCKET (3 PRONG)
18	PE070196	1	FEMALE SOCKET (2 PRONG)
19	044959-000	1	KNOB, SW, FAN (H+S V5211 019 206 005)?
20	044960-000	1	KNOB, SW, LIGHT
21	044954-000	2	RING, LED, LIGHT ASSY
22	044956-000	2	HOUSING, KNOB ASSY
23	045548-000	3	CLIP, ROUTING, WIRE?



Ref #	Part Number	Qty.	Description
1	046354-000	1	HARNESS, JMPR, P.S.-RELAY-LED
2	045952-000	1	HARNESS, W, 12H HOOD, 30/36