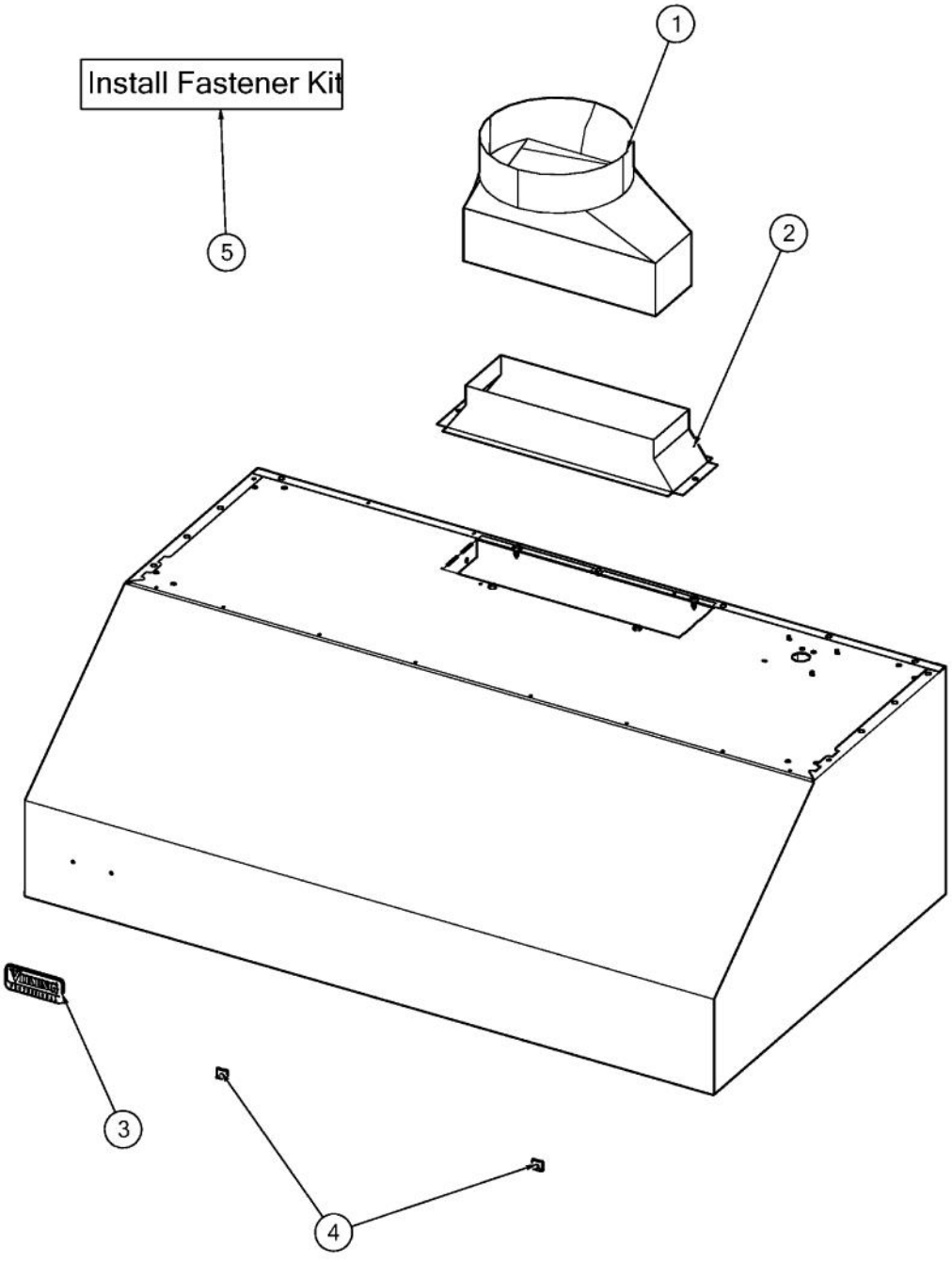
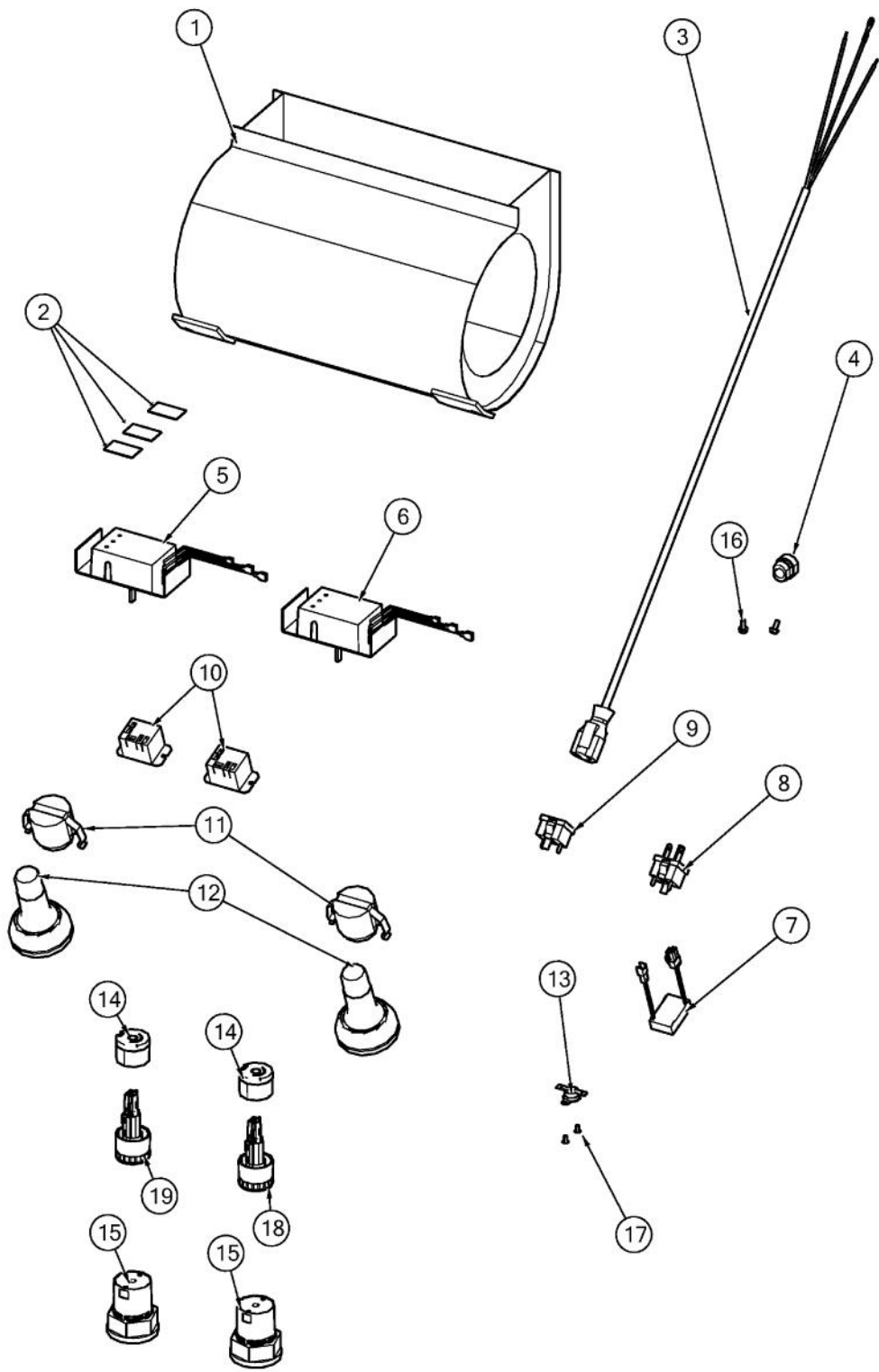


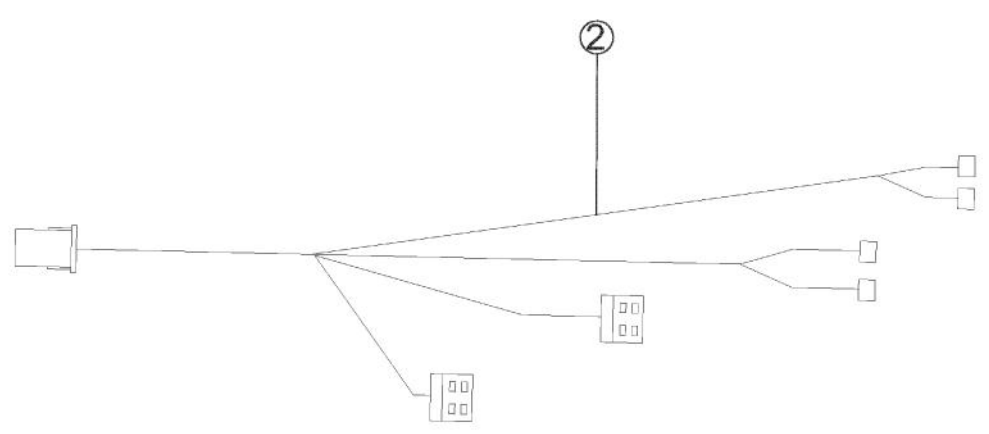
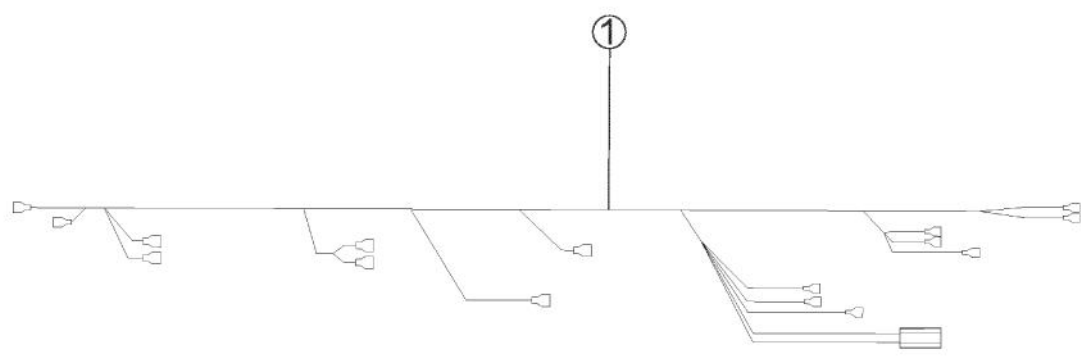
Ref #	Part Number	Qty.	Description
1	044871-000	1	FILTER, BACK, SPACER, 36
2	044876-000	2	SPACER, FLTR, 36
3	G31010264	2	FILTER ASSEMBLY (VWH30/3610) 12.875 X 12.5
4	PD020087		10 X 1/2 PAN PH. TEK ZINC
5	044877-000	1	FILTER, SPRT, 36
6	043704-000	1	PANEL, HOOD, IS, RH
7	043703-000	1	PANEL, HOOD, IS, LH
8	044875-000	1	PANEL, CTRL, HOOD, 36
9	PD010035	2	BLOWER MTG ROD NO.10-24 99420464
10	PD030010	2	NO.10-24 KEPS NUT
11	045696-000	1	BRACKET, TSTAT, 12 HIGH HOODS
12	043705-000	2	SUPPORT, LT
13	043160-000	2	SUPPORT, SW
14	046821-000		8 X 1/4 AB, PH PAN HD S/M/S Z/P
15	PC040010		POP RIVET



Ref #	Part Number	Qty.	Description
1	PM010045	1	3 1/4 X 10 RECT. TO 7 DIA(TRANS)
2	PE050043	1	DAMPER/TRANSITION 460 CFM 97006078
3	PE010142	1	3 LOGO XBKXXCHROME
4	PD030059	2	TINNERMAN CLIP
5	046654-000	1	INSTALL FASTENER KIT
NI	PD030006	2	CAPPED WASHER PAL NUT



Ref #	Part Number	Qty.	Description
1	PE050042	1	BLOWER INT 460 CFM 97007542
2	046408-000	3	STRIP, TAPE- 1.250 X .750
3	039680-000	1	CORD, PWR, SUPPLY, VNT HD
4	PE070204	1	HEYCO STRAIN RELIEF - 7-P2
5	043269-000	1	SWITCH, FAN ASSY
6	043270-000	1	SWITCH, LT ASSY
7	045647-000	1	AC/DC CONVERTER, POWERLINE
8	PE070197	1	MALE SOCKET (3 PRONG)
9	PE070541	1	3-PRONG FEMALE SOCKET
10	045078-000	2	RELAY, PWR, MINI, 30 AMP
11	PE050032	2	LIGHT SOCKET, (571V)
12	045062-000	2	BULB, LED LIGHT
13	PJ030014	1	HEAT SENSOR (N.O.) 160 DEG.
14	044954-000	2	RING, LED, LIGHT ASSY
15	044956-000	2	HOUSING, KNOB ASSY
16	PD020010	2	10 X 3/8 GREEN GROUNDING SCREW
17	PC040010	2	POP RIVET
18	044960-000	1	KNOB, SW, LIGHT
19	044959-000	1	KNOB, SW, FAN (H+S V5211 019 206 005)?



Ref #	Part Number	Qty.	Description
1	045952-000	1	HARNESS, W, 12H HOOD, 30/36
2	046354-000	1	HARNESS, JMPR, P.S.-RELAY-LED