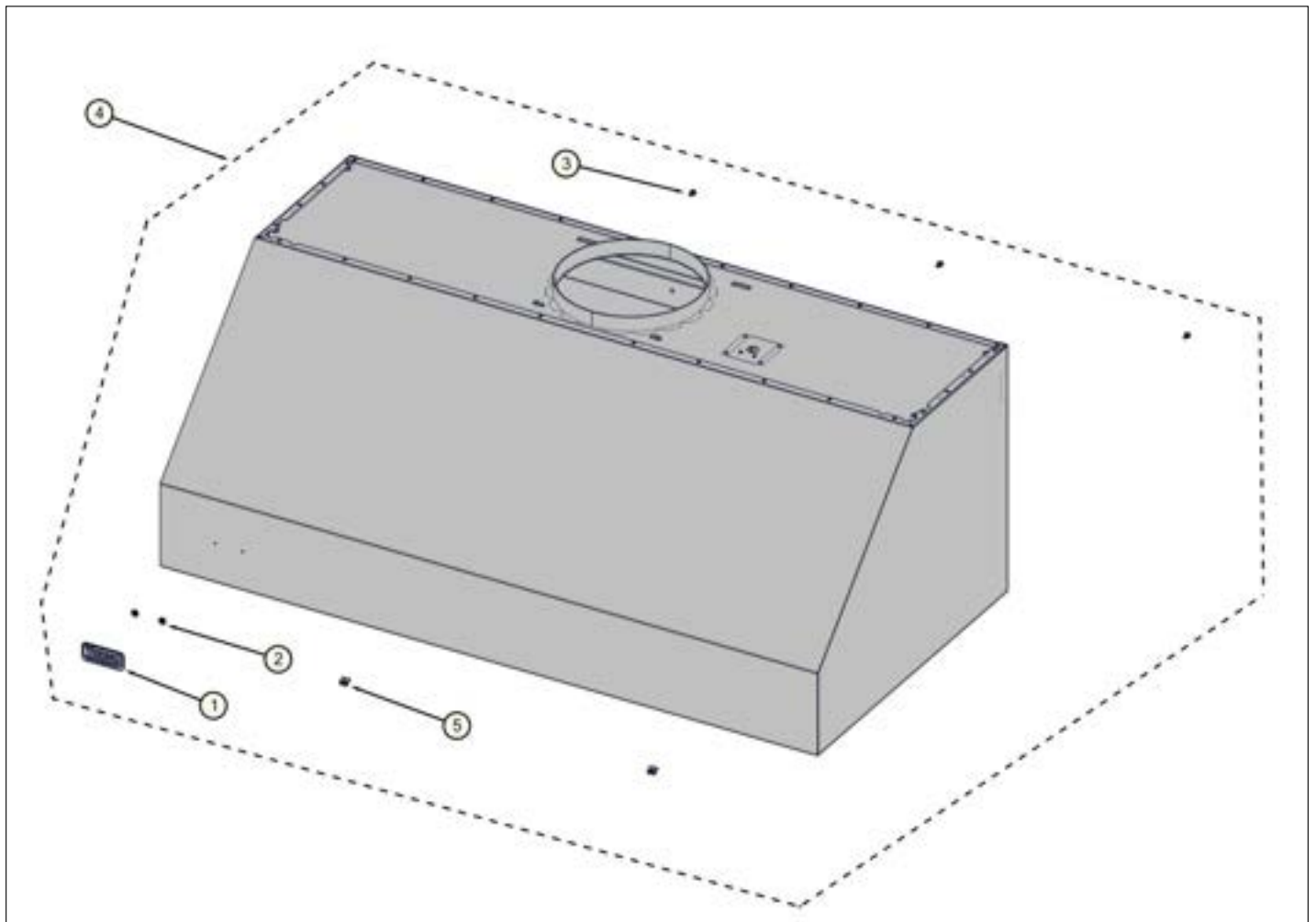


**VWH54848SS**

Canopy View .....	1
Internal Hood View .....	2
Electrical View .....	3
Wiring View .....	4
Wiring Diagram .....	5
Appendix A:Pages Index .....	A
Appendix B:Parts Index .....	B

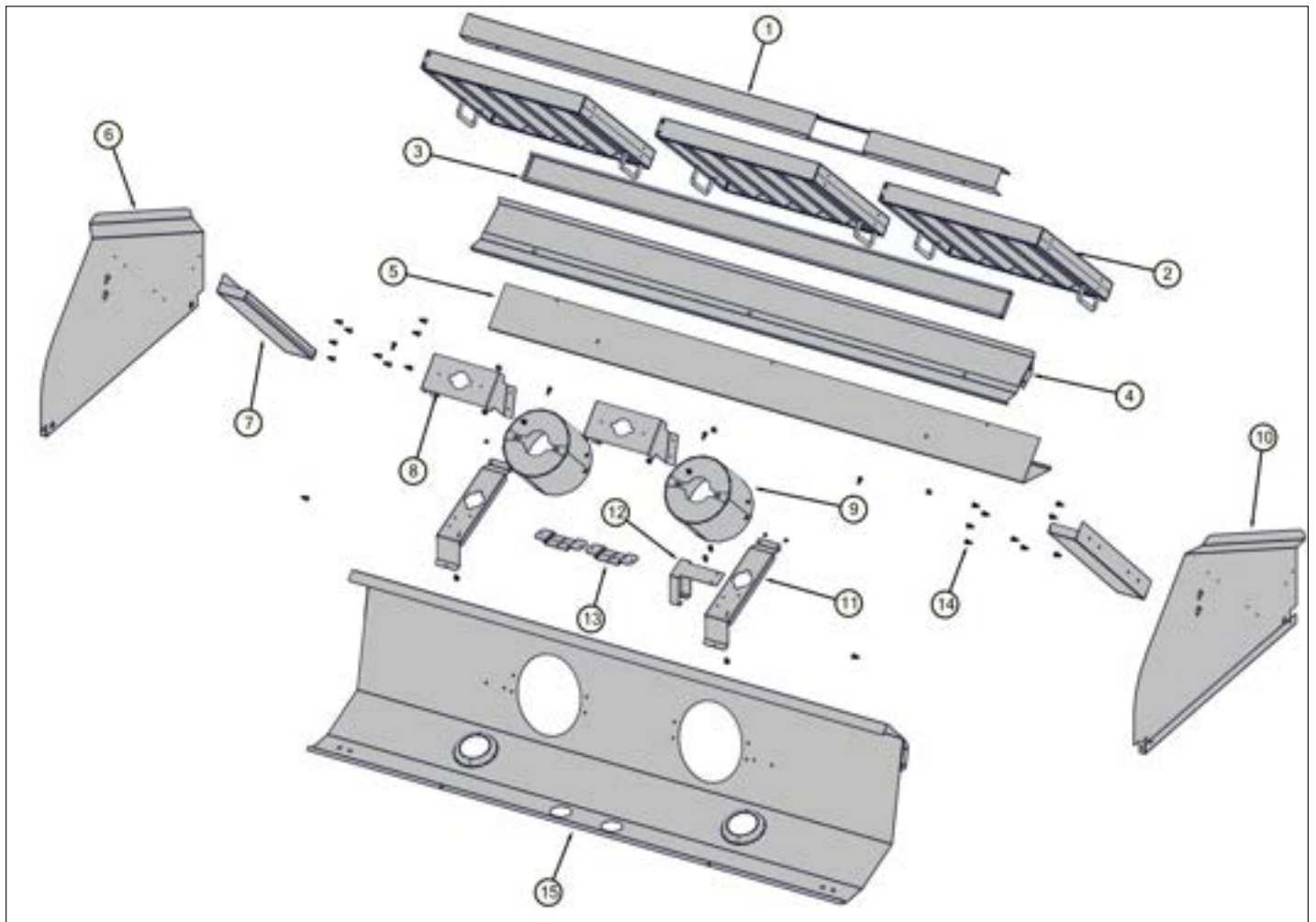
Canopy View





Item	Part No.	Name	Qty	Uom	NOTES
1	PE010142	3" LOGO *BK**CHROME	1	EA	
2	065859-000	NAMEPLATE, VIKING, ADHESIVE W/PINS, 2.750"	1	EA	
2	PD030006	PALNUT, CAPPED, WASHER	2	EA	
3	070884-000	FASTENER, SCR, PNH, TF, PHLP, ZPLT, 10-24 X 3/8	3	EA	
4	043532-000	VWH54848 CANOPY ASSEMBLY	1	EA	
4	048682-002	VWH54848 PAINTED CANOPY ASSEMBLY BK	1	EA	
4	048682-005	VWH54848 PAINTED CANOPY ASSEMBLY GG	1	EA	
4	048682-006	VWH54848 PAINTED CANOPY ASSEMBLY WH	1	EA	
4	048682-008	VWH54848 PAINTED CANOPY ASSEMBLY BU	1	EA	
4	048682-013	VWH54848 PAINTED CANOPY ASSEMBLY CB	1	EA	
4	048682-024	VWH54848 PAINTED CANOPY ASSEMBLY AR	1	EA	
5	PD030059	TINNERMAN CLIP (U-TYPE)	2	EA	

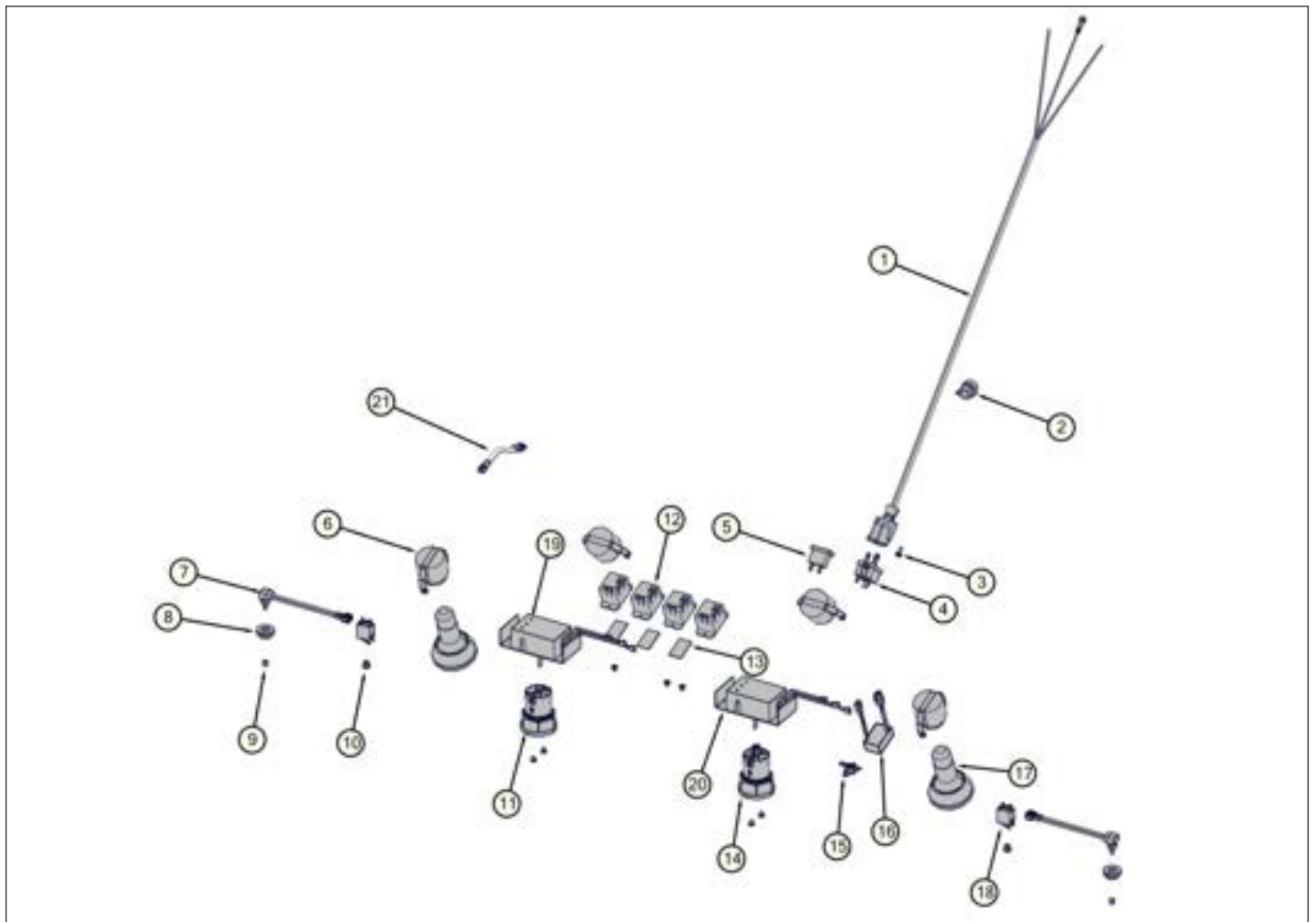
Internal Hood View





Item	Part No.	Name	Qty	Uom	NOTES
1	043531-000	SUPPORT, FLTR, BRKT, 48"	1	EA	
2	058651-000	BAFFLE, FLTR, ASM, W/HDL	3	EA	
3	043523-000	TROUGH, GRS, 48"	1	EA	
4	B20011025	FILTER SUPPORT TOP (VCWH48)	1	EA	
5	043522-000	SPRT, BTM, REAR, FLTR, 48"	1	EA	
6	042582-000	PANEL, HOOD, IS, LH	1	EA	
7	043524-000	SPACER, FILTER, 48"	2	EA	
8	042711-000	SUPPORT, LAMP, HEAT	2	EA	
9	G31012427	HEAT LAMP COWLING ASSY	2	EA	
10	042583-000	PANEL, HOOD, IS, RH	1	EA	
11	042621-000	SUPPORT, LT	2	EA	
12	042925-000	BRACKET, T'STAT	1	EA	
13	043160-000	SUPPORT, SW	2	EA	
14	070884-000	FASTENER, SCR, PNH, TF, PHLP, ZPLT, 10-24 X 3/8	47	EA	
15	043517-000	PANEL, CTRL, HOOD, 48"	1	EA	

Electrical View





Item	Part No.	Name	Qty	Uom	NOTES
1	039680-000	CORD, PWR, SUPPLY, VNT HD	1	EA	
2	PE070204	HEYCO STRAIN RELIEF - 7-P2	1	EA	
3	PD020010	10 X 3/8 GREEN GROUNDING SCREW	1	EA	
4	PE070197	MALE SOCKET (3 PRONG)	1	EA	
5	068024-000	PLUG, FEM	1	EA	
6	013549-000	LIGHT SOCKET (125C LEADS)	4	EA	
7	PE050168	DCH FAN/LIGHT SWITCH (DCH30/36)	2	EA	
8	036576-000	LIGHT SWITCH ASM	2	EA	
9	PA010093	DESIGNER OVEN LT SWITCH KNOB	2	EA	
10	027968-000	INDICATOR, LIGHT, BLUE	2	EA	
11	042928-000	BUTTON, PUSH, KNOB FAN ASSY	1	EA	
12	045078-000	RELAY, PWR, MINI, 30 AMP (AZ2280-1A-120AF)	4	EA	
13	046408-000	STRIP, TAPE- 1.250" X .750"	4	EA	
14	042927-000	BUTTON, PUSH, KNOB LIGHT ASSY	1	EA	
15	PJ030014	HEAT SENSOR (N.O.) 160 DEG.	1	EA	
16	068290-601	SUPPLY, POWER, AC/DC, 12VDC, 3W ASSY	1	EA	
17	058102-000	BULB, LIGHT, LED, WHITE, 5W, 120V	2	EA	
18	015170-000	HOUSING, LIGHT, BLUE NEON, 125V	2	EA	
19	062056-601	CNTRL, FAN, DIMMER, 120VAC	1	EA	
Comments for Part Num. 062056-601					
bradleysapplianceservice@shaw.ca on Nov 19, 2019					
SUBS TO: 070881-000 FAN SWITCH KIT					
20	062056-602	CNTRL, LED, DIMMER, 120VAC	1	EA	
21	068288-000	HARN, RECOM, JUMPER	1	EA	

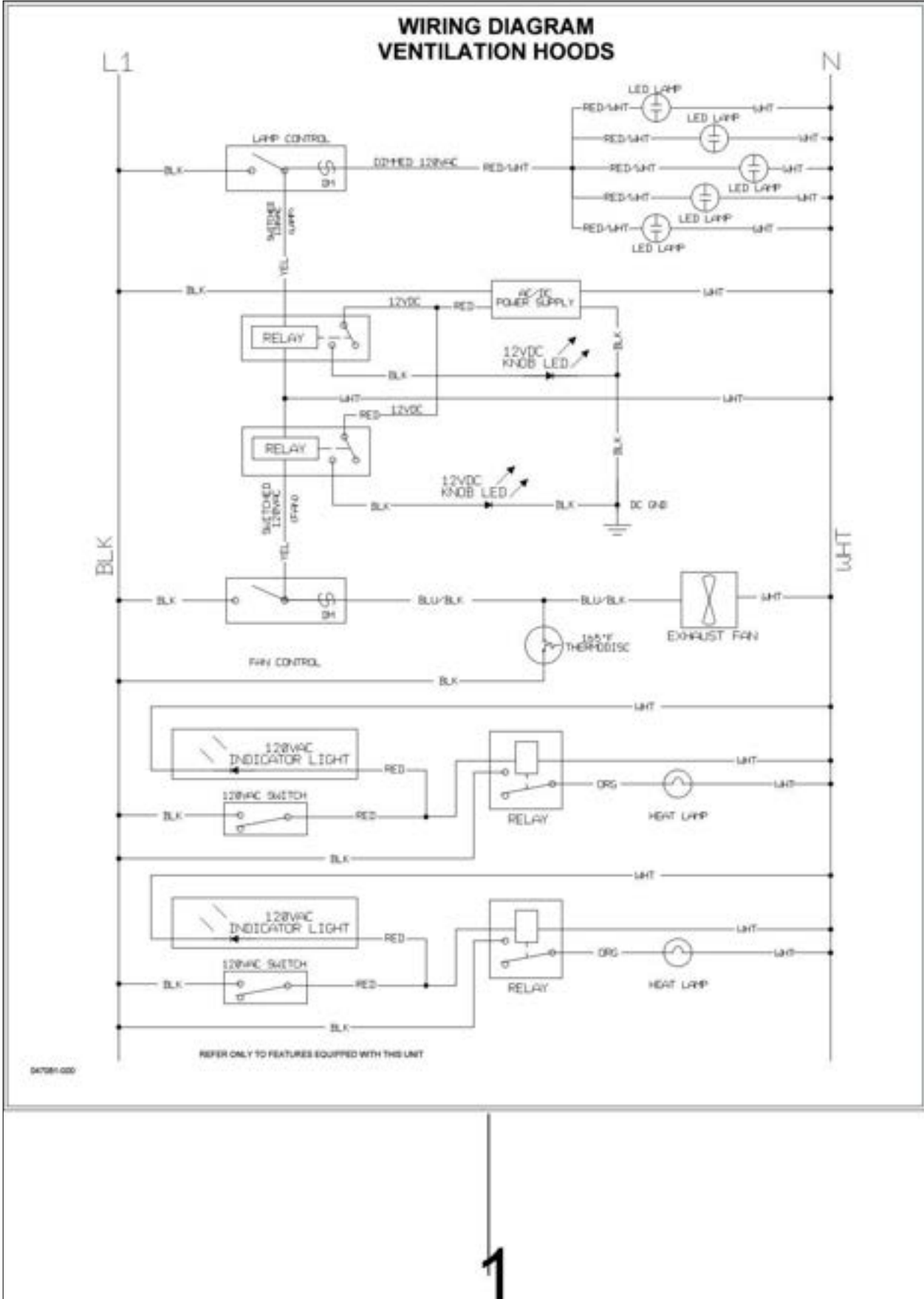






Item	Part No.	Name	Qty	Uom	NOTES
1	046354-000	HARNESS, JMPR, P.S.- RELAY-LED	1	EA	
2	046004-000	HARNESS, W, 18"H HOOD, 48"	1	EA	

Wiring Diagram





Item	Part No.	Name	Qty	Uom	NOTES
1	047081-000	DIAG, WIRING, HOOD	1	EA	



Appendix A:Pages Index

Canopy View ..... 1  
Electrical View ..... 3  
Internal Hood View ..... 2  
Wiring Diagram ..... 5  
Wiring View ..... 4



Appendix B:Parts Index

013549-000	3	G31012427	2
015170-000	3	PA010093	3
027968-000	3	PD020010	3
036576-000	3	PD030006	1
039680-000	3	PD030059	1
042582-000	2	PE010142	1
042583-000	2	PE050168	3
042621-000	2	PE070197	3
042711-000	2	PE070204	3
042925-000	2	PJ030014	3
042927-000	3		
042928-000	3		
043160-000	2		
043517-000	2		
043522-000	2		
043523-000	2		
043524-000	2		
043531-000	2		
043532-000	1		
045078-000	3		
046004-000	4		
046354-000	4		
046408-000	3		
047081-000	5		
048682-002	1		
048682-005	1		
048682-006	1		
048682-008	1		
048682-013	1		
048682-024	1		
058102-000	3		
058651-000	2		
062056-601	3		
062056-602	3		
065859-000	1		
068024-000	3		
068288-000	3		
068290-601	3		
070884-000	1, 2		
B20011025	2		