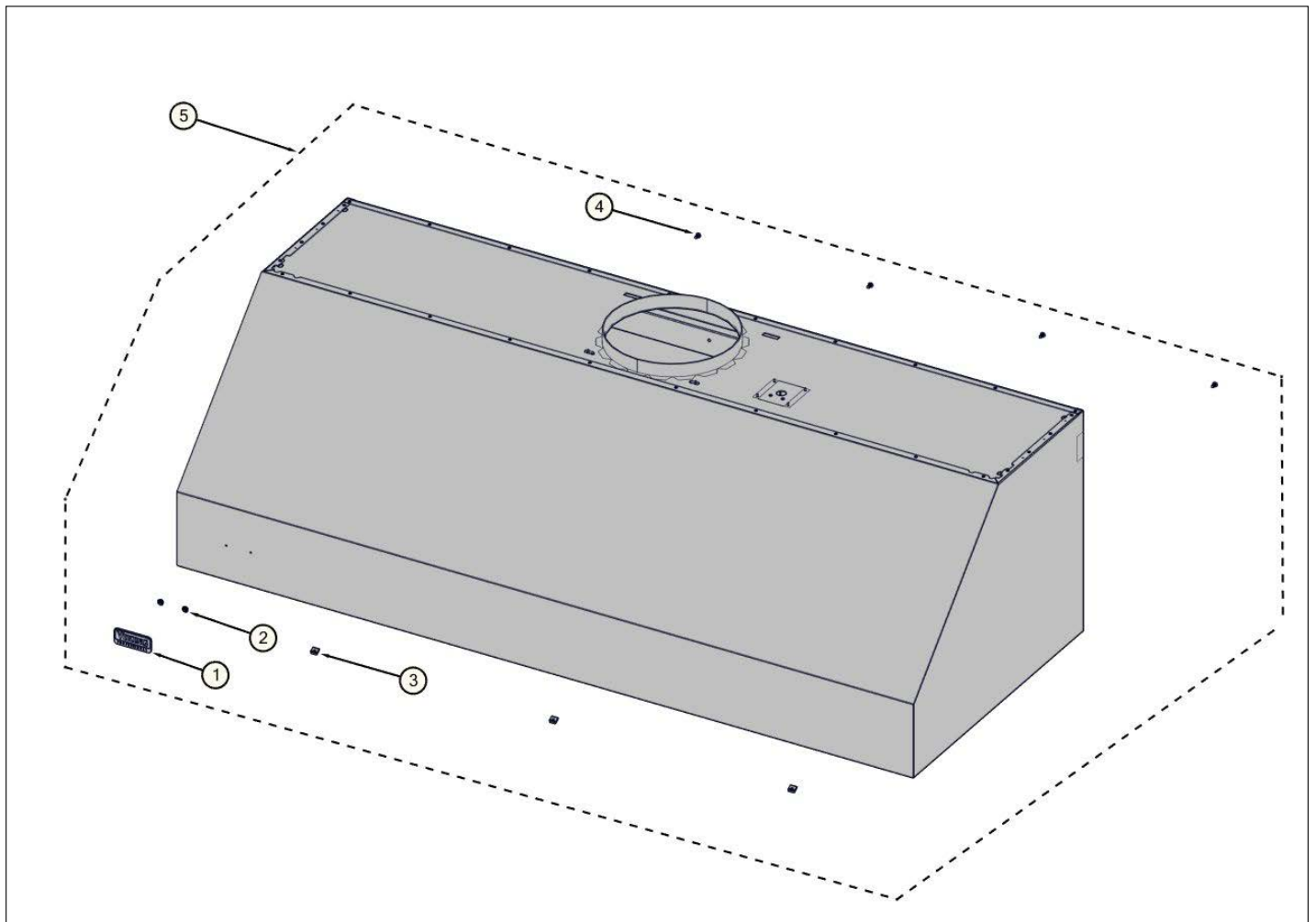


VWH56048SS

Canopy View	1
Internal Hood View	2
Electrical View	3
Wiring View	4
Wiring Diagram View	5
Appendix A:Pages Index	A
Appendix B:Parts Index	B

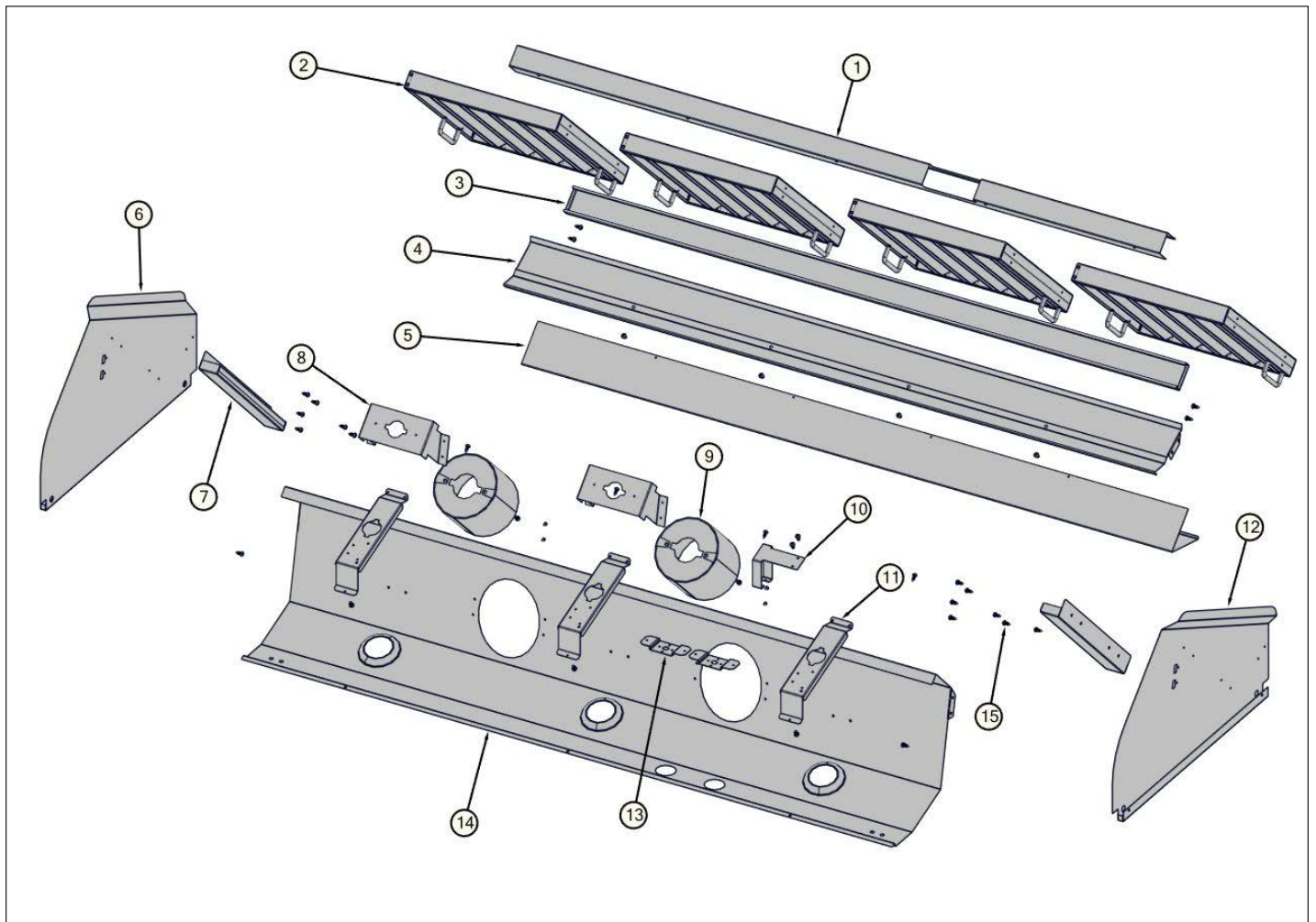
Canopy View





Item	Part No.	Name	Qty	Uom	NOTES
1	PE010142	3" LOGO BK/CHROME	1	EA	
2	PD030006	CAPPED WASHER PAL NUT	2	EA	
3	PD030059	TINNERMAN CLIP (U-TYPE)	3	EA	
4	070884-000	FASTENER, SCR, PNH, TF, PHLP, ZPLT, 10-24 X 3/8	15	EA	
5	046274-000	VWH56048 CANOPY ASSEMBLY	1	EA	
5	049099-002	VWH56048 CANOPY PAINT, ASSEMBLY BK	1	EA	
5	049099-005	VWH56048 CANOPY PAINT, ASSEMBLY GG	1	EA	
5	049099-006	VWH56048 CANOPY PAINT, ASSEMBLY WH	1	EA	
5	049099-008	VWH56048 CANOPY PAINT, ASSEMBLY BU	1	EA	
5	049099-013	VWH56048 CANOPY PAINT, ASSEMBLY CB	1	EA	
5	049099-024	VWH56048 CANOPY PAINT, ASSEMBLY AR	1	EA	

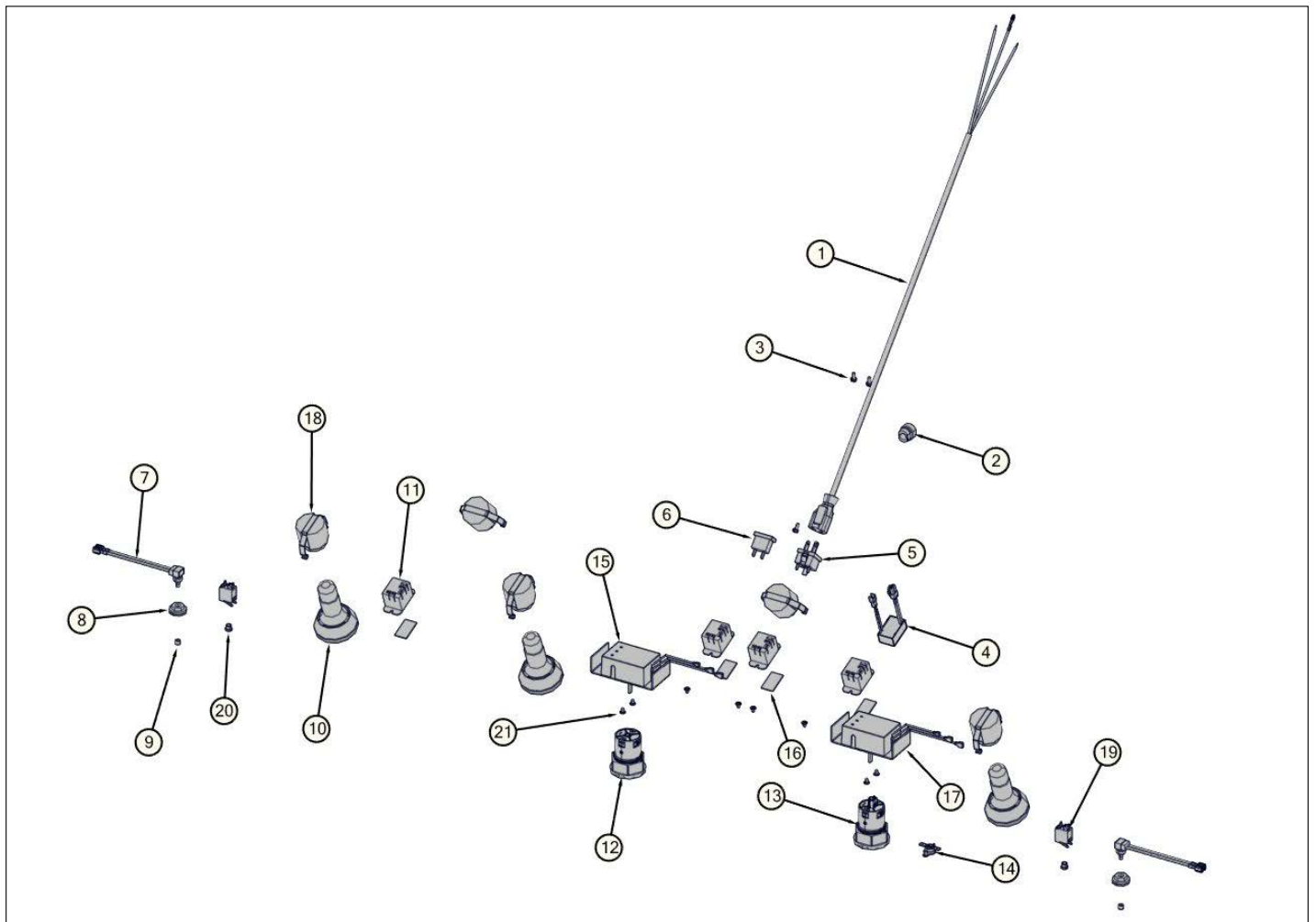
Internal Hood View





Item	Part No.	Name	Qty	Uom	NOTES
1	046026-000	SUPPORT, FLTR, BRKT, 60"	1	EA	
2	058651-000	BAFFLE, FLTR, ASM, W/HDL	4	EA	
3	046450-000	TROUGHT, GRS, 60"	1	EA	
4	044982-000	SUPPORT, FLTR, TOP, 60"	1	EA	
5	046447-000	SPRT, BTM, REAR, FLTR, 60"	1	EA	
6	042582-000	PANEL, HOOD, IS, LH	1	EA	
7	046028-000	SPACER, FILTER, 60"	2	EA	
8	042711-000	SUPPORT, LAMP, HEAT	2	EA	
9	G31012427	HEAT LAMP COWLING ASSY	2	EA	
10	042925-000	BRACKET, T'STAT	1	EA	
11	042621-000	SUPPORT, LT	3	EA	
12	042583-000	PANEL, HOOD, IS, RH	1	EA	
13	043160-000	SUPPORT, SW	2	EA	
14	046025-000	PANEL, CTRL HOOD, 60"	1	EA	
15	070884-000	FASTENER, SCR, PNH, TF, PHLP, ZPLT, 10-24 X 3/8	32	EA	

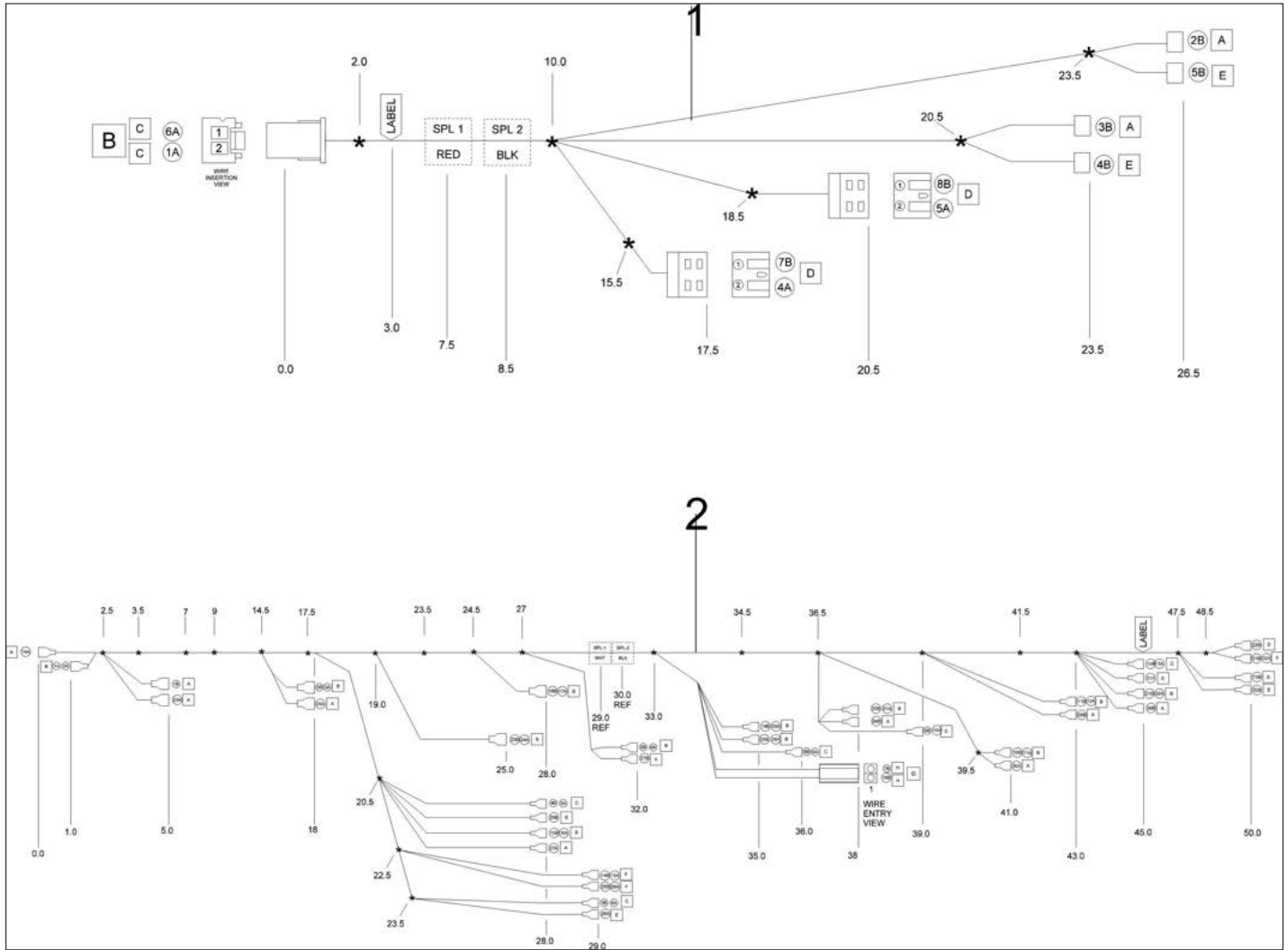
Electrical View





Item	Part No.	Name	Qty	Uom	NOTES
1	039680-000	CORD, PWR, SUPPLY, VNT HD	1	EA	
2	PE070204	HEYCO STRAIN RELIEF - 7-P2	1	EA	
3	PD020010	10 X 3/8 GREEN GROUNDING SCREW	3	EA	
4	071494-000	Ventilation Power Supply Kit (See TV-0014-SP Bulletin)	1	EA	
5	PE070197	MALE SOCKET (3 PRONG)	1	EA	
6	068024-000	PLUG, FEM	1	EA	
7	PE050168	DCH FAN/LIGHT SWITCH (DCH30/36)	2	EA	
8	036576-000	LIGHT SWITCH ASM	2	EA	
9	PA010093	DESIGNER OVEN LT SWITCH KNOB	2	EA	
10	058102-000	BULB, LIGHT, LED, WHITE, 5W, 120V	3	EA	
11	045078-000	RELAY, PWR, MINI, 30 AMP (AZ2280-1A-120AF)	4	EA	
12	042928-000	BUTTON, PUSH, KNOB FAN ASSY	1	EA	
13	042927-000	BUTTON, PUSH, KNOB LIGHT ASSY	1	EA	
14	PJ030014	HEAT SENSOR (N.O.) 160 DEG.	1	EA	
15	062056-601	CNTRL, FAN, DIMMER, 120VAC	1	EA	
Comments for Part Num. 062056-601					
bradleysapplianceservice@shaw.ca on Nov 19, 2019					
SUBS TO: 070881-000 FAN SWITCH KIT					
16	046408-000	STRIP, TAPE- 1.250" X .750"	4	EA	
17	062056-602	CNTRL, LED, DIMMER, 120VAC	1	EA	
18	013549-000	LIGHT SOCKET (125C LEADS)	5	EA	
19	015170-000	HOUSING, LIGHT, BLUE NEON, 125V	2	EA	
20	027968-000	INDICATOR, LIGHT, BLUE	2	EA	
21	046821-000	8 X 1/4" AB, PH PAN HD S/M/S Z/P	8	EA	

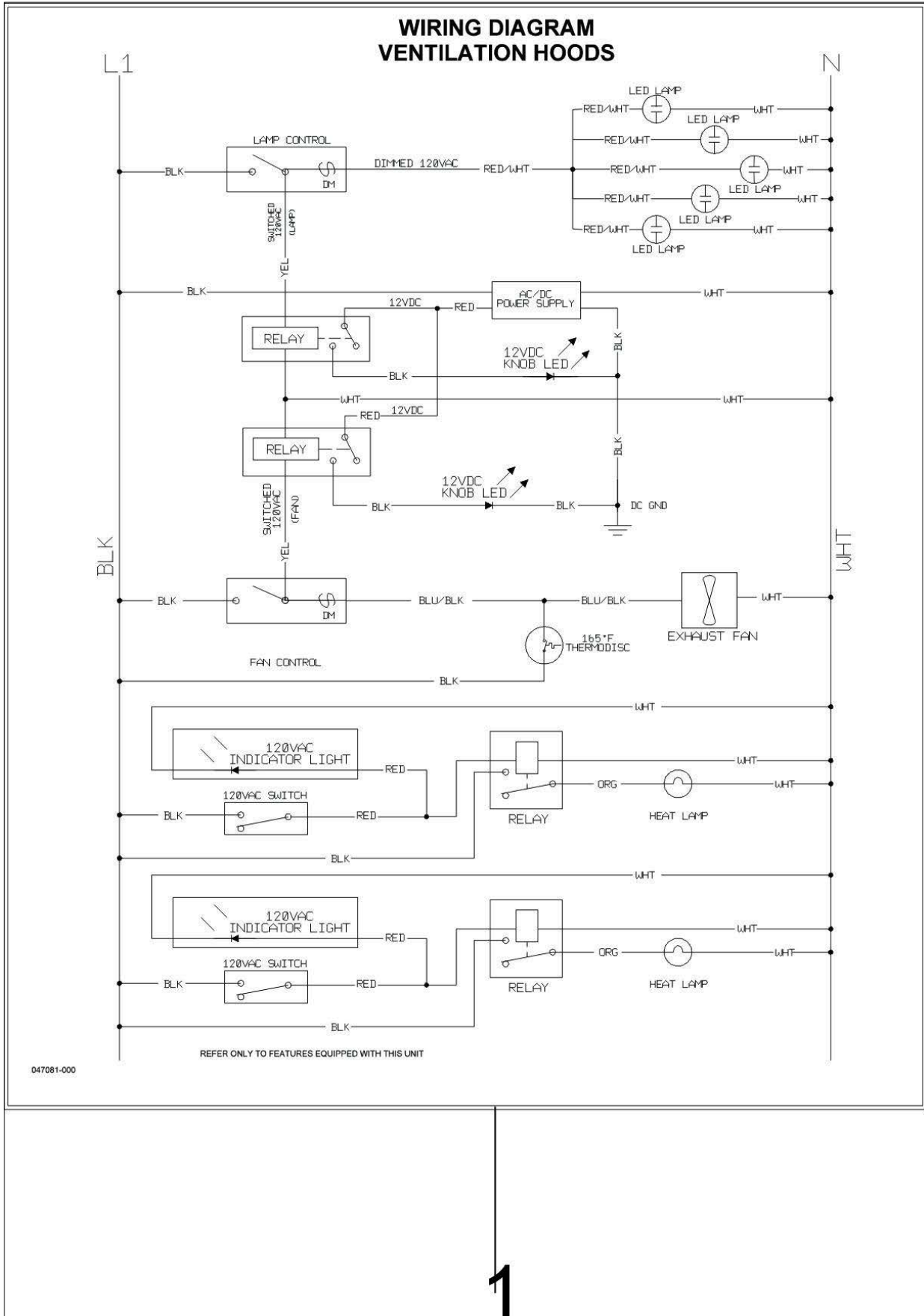
Wiring View





Item	Part No.	Name	Qty	Uom	NOTES
1	046270-000	HARN, HOOD, 60"	1	EA	
2	046354-000	HARNESS, JMPR, P.S.- RELAY-LED	1	EA	

Wiring Diagram View





VWH56048SS

Item	Part No.	Name	Qty	Uom	NOTES
1	047081-000	DIAG, WIRING, HOOD	1	EA	



Appendix A:Pages Index

Canopy View 1
Electrical View 3
Internal Hood View 2
Wiring Diagram View 5
Wiring View 4



Appendix B:Parts Index

013549-000	3	PA010093	3
015170-000	3	PD020010	3
027968-000	3	PD030006	1
036576-000	3	PD030059	1
039680-000	3	PE010142	1
042582-000	2	PE050168	3
042583-000	2	PE070197	3
042621-000	2	PE070204	3
042711-000	2	PJ030014	3
042925-000	2		
042927-000	3		
042928-000	3		
043160-000	2		
044982-000	2		
045078-000	3		
046025-000	2		
046026-000	2		
046028-000	2		
046270-000	4		
046274-000	1		
046354-000	4		
046408-000	3		
046447-000	2		
046450-000	2		
046821-000	3		
047081-000	5		
049099-002	1		
049099-005	1		
049099-006	1		
049099-008	1		
049099-013	1		
049099-024	1		
058102-000	3		
058651-000	2		
062056-601	3		
062056-602	3		
068024-000	3		
070884-000	1, 2		
071494-000	3		
G31012427	2		