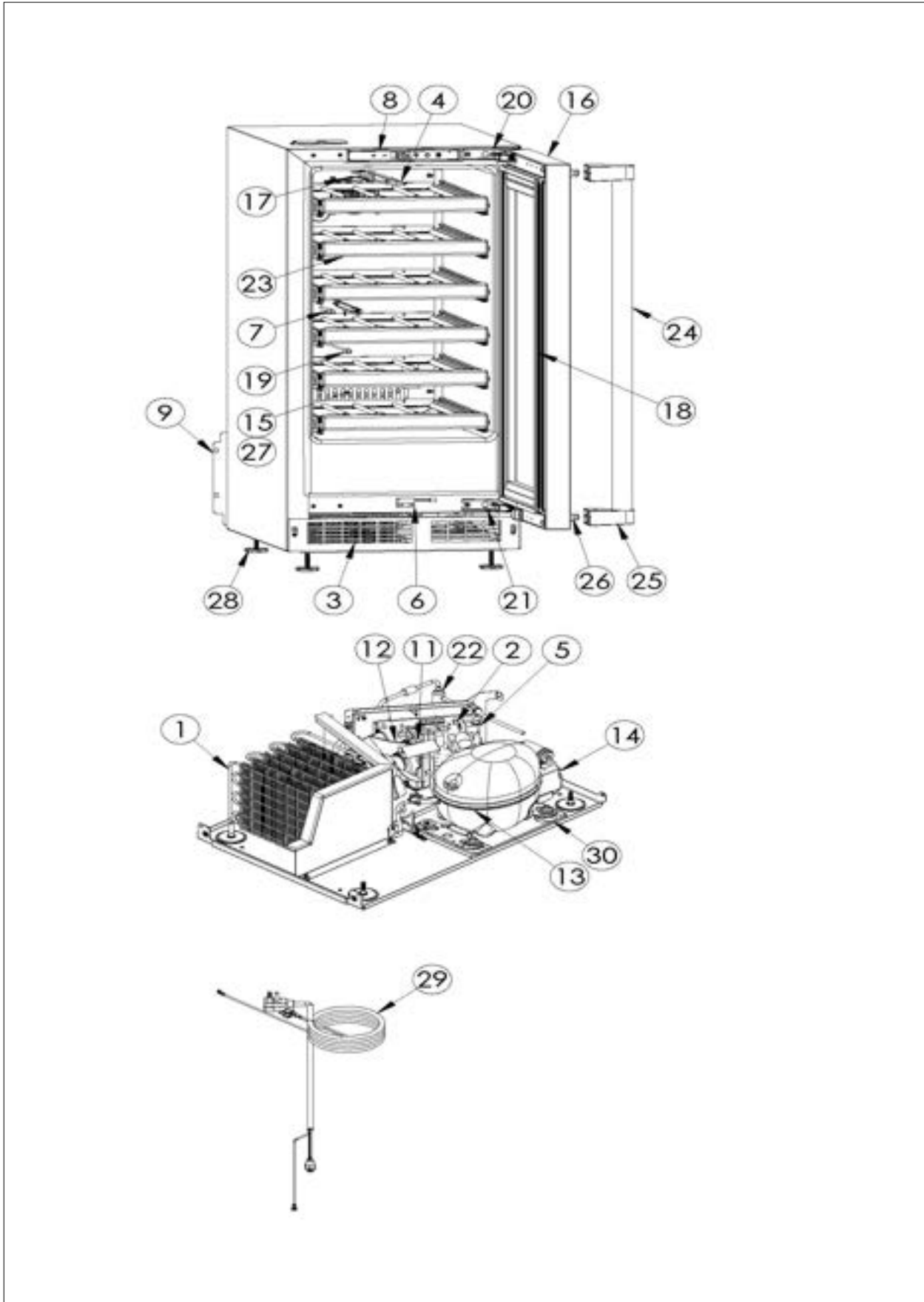


VWUI5151GSS

VWUI5151GSS UNIT COMPONENTS	1
Appendix A:Pages Index	A
Appendix B:Parts Index	B

VWUI5151GSS UNIT COMPONENTS





Item	Part No.	Name	Qty	Uom	NOTES
1	078064-000	CONDENSER ASSEMBLY		EA	
2	078065-000	MAIN CONTROL BOARD KIT		EA	
3	078066-000	GRILLE		EA	
4	078067-000	LED LIGHT STRIP		EA	
5	078068-000	CONTROL BOARD		EA	
6	078069-000	REED SWITCH		EA	
7	078070-000	THERMISTOR ASSEMBLY		EA	
8	078071-000	UI DISPLAY KIT		EA	
9	078072-000	ACCESS COVER		EA	
NI	078073-000	MECHANICAL HARNESS KIT		EA	
11	059260-000	Fan Motor		EA	Not available online / Call for pricing and availability
12	059263-000	Fan Blade		EA	Not available online / Call for pricing and availability
13	078074-000	COMPRESSOR		EA	
14	078075-000	COMPRESSOR ELECTRICALS		EA	
15	059589-000	Evaporator Assembly Kit		EA	Not available online / Call for pricing and availability
16	078076-000	DOOR ASSEMBLY		EA	
17	059331-000	Evaporator Fan Motor		EA	Not available online / Call for pricing and availability
18	059596-000	Door Gasket, Black		EA	Not available online / Call for pricing and availability
19	078077-000	EVAP THERMISTOR		EA	
20	059229-000	Articulated Hinge, Right Hand, Upper (includes item 19)		EA	Not available online / Call for pricing and availability

Comments for Part Num. 059229-000

SERVICE@ABSOLUTEREPAIRINC.COM on Feb 12, 2018

This is incorrectly listed as a LH hinge on this lookup. This is actually an upper RH hinge.



Item	Part No.	Name	Qty	Uom	NOTES
21	059230-000	Hinge-Articulated W/Damper Lower-Rh		EA	Not available online / Call for pricing and availability
22	059256-000	Dryer		EA	Not available online / Call for pricing and availability
23	059613-000	Complete Shelf Assembly		EA	NO LONGER AVAILABLE, Not available online / Call for pricing and availability
24	059238-000	Handle Tube		EA	
25	059237-000	Handle End Cap		EA	Not available online / Call for pricing and availability
26	059239-000	STANDOFF		EA	
27	059588-000	Evaporator Cover, Black, 15", with trim		EA	Not available online / Call for pricing and availability
28	022366-000	LEG LEVELER		EA	
29	078079-000	POWER CORD		EA	
30	059270-000	Drain Defrost Pan		EA	Not available online / Call for pricing and availability



Appendix A:Pages Index

VWUI5151GSS UNIT COMPONENTS 1



Appendix B:Parts Index

022366-000 1
059229-000 1
059230-000 1
059237-000 1
059238-000 1
059239-000 1
059256-000 1
059260-000 1
059263-000 1
059270-000 1
059331-000 1
059588-000 1
059589-000 1
059596-000 1
059613-000 1
078064-000 1
078065-000 1
078066-000 1
078067-000 1
078068-000 1
078069-000 1
078070-000 1
078071-000 1
078072-000 1
078073-000 1
078074-000 1
078075-000 1
078076-000 1
078077-000 1
078079-000 1